

Professional Water Systems Equipment 2005



 **Schaefer**
Powered by
 **Franklin Electric**

SUBMERSIBLE PUMPS

Legend 5 GPM	2
Legend 7 GPM	4
Legend 10 GPM	6
Legend 18 GPM	8
Legend 25 GPM	10
Legend High Capacity 35 GPM.....	16
Legend High Capacity 45 GPM.....	18
Legend High Capacity 60 GPM.....	20
Legend High Capacity 90 GPM.....	22
Legacy 5 GPM.....	32
Legacy 8 GPM.....	34
Legacy 12 GPM.....	36
Legacy 16 GPM.....	38
Legacy 22 GPM.....	40

SUBMERSIBLE PUMP ACCESSORIES

Franklin MonoDrive	47
Franklin CP Water SubDrive 75	48
Franklin CP Water SubDrive 150	50
Franklin Electric Control Boxes	52
Pumptec Motor Protection System.....	53
Three-Phase Motor Protection	54
4" Single Phase Motors and Leads	55
4" Three-Phase Motors	56
6" Single Phase Motors and Leads	57
and Control Boxes.....	57
6" Three-Phase Motors – Non-Subtrol	58
6" Three Phase Motors – Subtrol Equipped	59
6" Three-Phase Motors – Super 90 Series.....	60
8" Single Phase Motors and Leads	61
Furnas ESP 100	62

JET PUMPS

SFCWJPRO-S.....	63
SFCWJ-S Series	67
SFC-S Series.....	71
SFSWJ-S Series	75
Jet Pump Accessories	77
AQ80	79
225A Jet Charger.....	80

EFFLUENT PUMPS

4 inch pump.....	81
------------------	----

SELF-PRIMING CENTRIFUGAL PUMP

TY Series	82
TYCI Series	84
HJ Series	86
DDD/DDS Series.....	88

BOOSTER PUMPS

HB4 Series	91
H4 Series.....	93
V6 Series	102

REPLACEMENT MOTORS

Small Frame	103
-------------------	-----

FRANKLIN ELECTRIC CONTROL BOX PARTS

QD	104
Standard.....	105
Deluxe	106

SERVICE PARTS KITS	
D Series Repair Kits	107
H-JM Service Kits	108
Jet Pump Service Kits	109
Typhoon & H4 Booster Service Kits	110
SUBMERSIBLE PARTS	
4", 8-22 GPM	111
4", 5-25 GPM	112
4", 35-90 GPM	113
6", 50-75 GPM	114
JET PARTS	
Shallow Well Jet	115
Deep Well Jet (SDEEP only)	116
Convertible Well Jet (SRP3 & CWJ)	117
Convertible Well Jet (RD2)	118
Convertible Well Jet (RM2, PRM2, & CWJ Pro)	119
Convertible Well Jet (C)	121
END SUCTION CENTRIFUGAL PARTS	
DDD Series	122
D Series	123
SELF-PRIMING CENTRIFUGAL PUMP & PARTS	
JM- 8-10M Kits	129
HJM	130
Typhoon, TY, TYCI	131
BOOSTER PUMP PARTS	
H4 Booster	132
V6 Booster	133
PORTABLE UTILITY PUMP PARTS	
GAS Contractors	135
PHP	136
SUMP PUMP PARTS	
PED	137
SPP & SPC	138
APS & PBS	139
ABS	140
NON-CORROSIVE PUMP PARTS	
Magnum	141
A Series	143
S Series	144
ACCESSORIES	
Horizontal Check Valve	145
S0125	145
Deep Well Injector	146
Jet Charger	146
Aqua-Genie 80 & 400	147
APPLICATIONS	
Wire Size	148
Pipe Friction	152
Lost or Damaged Goods	153
Limited Warranty	154



Features:

- 5 performance ranges - 5, 7, 10, 18 & 25 GPM.
- Ceramic shaft sleeve and rubber discharge bearing protect shaft and eliminate sand wear.
- Intermediate bearing included in 5-25 GPM units greater than 24" in length and/or 2 HP and higher to provide improved shaft stability.
- Thermoplastic impellers and stages for maximum efficiency.
- Thermoplastic and stainless steel models include built-in Flomatic check valve.
- Urethane Eye & Hub Seals are remarkably resistant to abrasives, allowing sand and other abrasives to pass through each stage without wear or damage.
- Powered by Franklin corrosion-resistant 4" submersible motors
- Maximum water temperature with proper flow-120° F. Consult factory for further details.
- Removable suction screen on both thermoplastic and stainless steel units prevents debris from clogging impellers and provides full flow performance.

Model Number Explanation:

2-Wire Example: T5L4D10P8-S1

T = Two wire
5 = 1/2HP
L = Legend
4 = 4" Submersible
D =
10 = 10 GPM
8 = Number of stages
P = Plastic
S1 = Single phase, 115 Volts
S2 = Single phase, 230 Volts

Pump-end example: L4D7X25

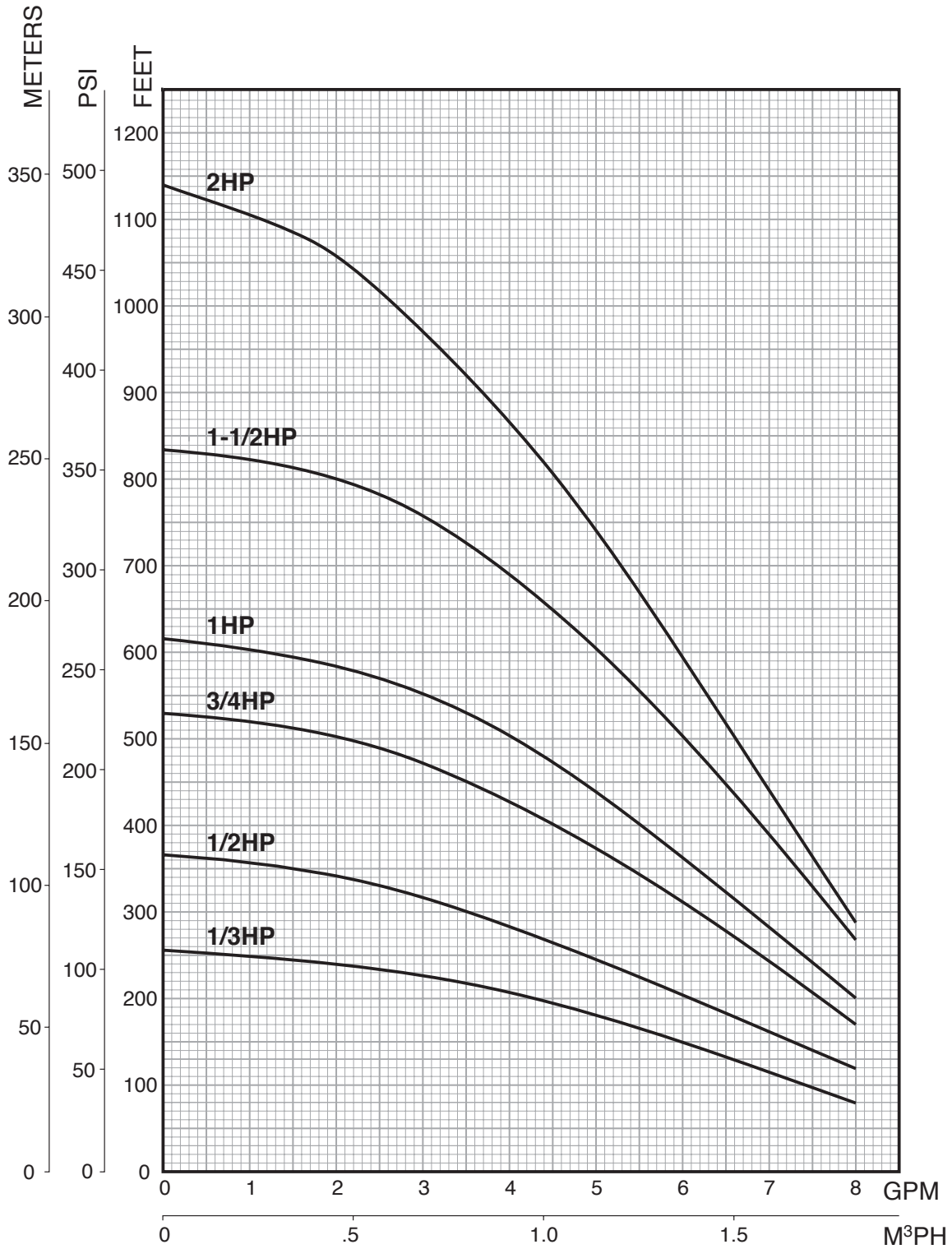
L = Legend
4 = 4" Submersible
L =
7 = 7 GPM
25 = Number of stages
X = Stainless Steel



NRTL/C
CSA 108
UL 778

4" Submersible Pump

Legend 5 GPM Performance Curves



4" Submersible Pump

Legend 5 GPM Performance Charts

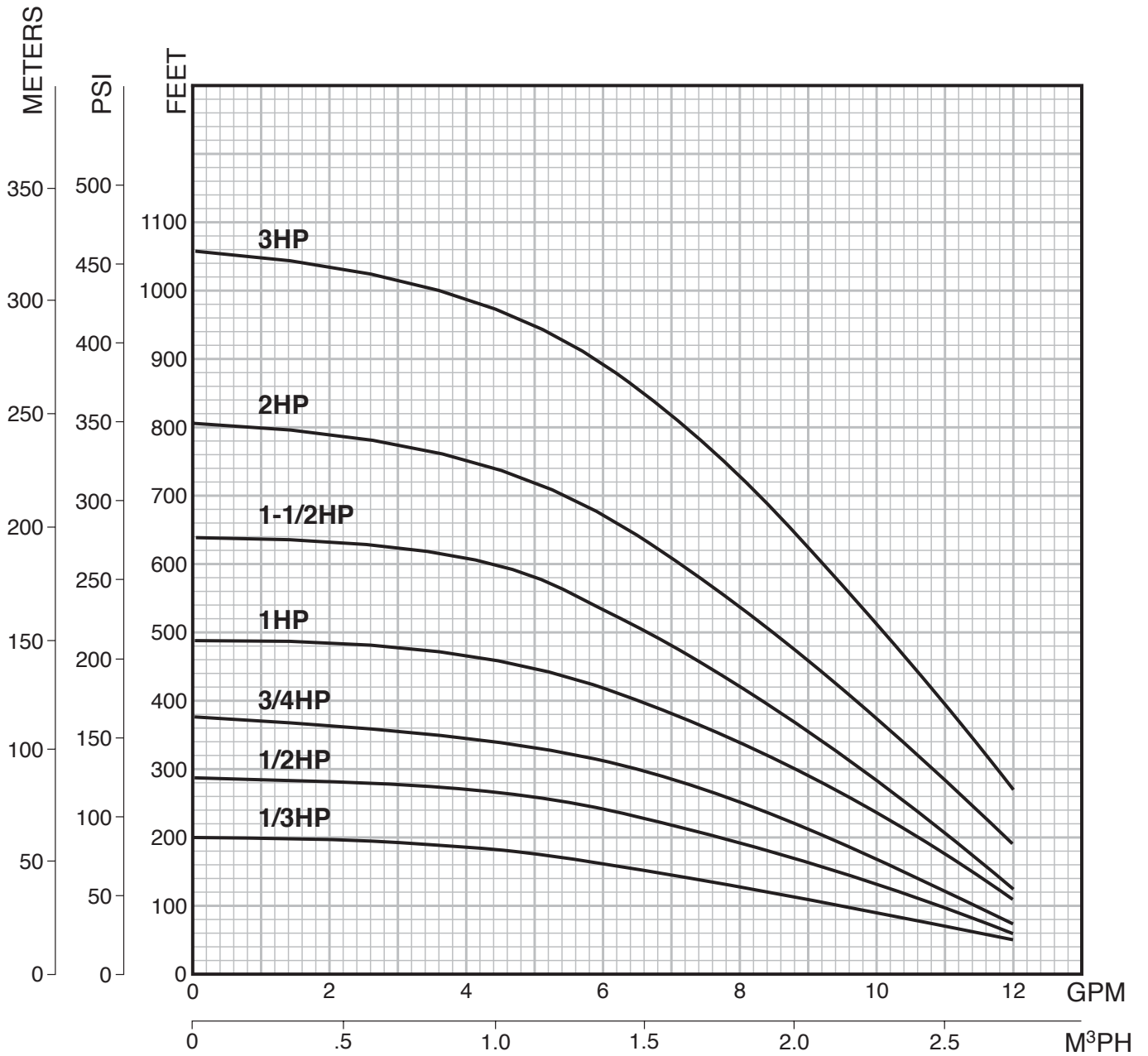
Capacities in U.S. Gallons per Minute

HP	PSI	DEPTH TO PUMPING WATER LEVEL, OR LIFT, IN FEET																							
		20	40	60	80	100	120	140	160	180	200	240	260	300	340	360	400	440	480	500	600	700	800	900	1000
1/3	0	-	-	-	8	7	6	6	5	5	4														
	20	-	7	7	6	6	5	4	4	2															
	30	-	7	6	6	5	4	3	2																
	40	7	6	5	5	4	3	2																	
	50	6	5	5	4	3	2																		
	60	5	5	4	3	1																			
	80	4	2	1																					
Shut-off PSI		101	92	83	75	66	58	49	40	32	23														
1/2	0	-	-	-	-	-	8	7	7	6	6	5	4	3											
	20	-	-	-	7	7	6	6	5	5	4	3	3	2											
	30	-	-	7	7	6	6	5	5	4	4	3	2												
	40	-	7	7	6	6	5	5	4	4	3	2													
	50	7	7	6	6	5	5	4	4	3	2														
	60	7	6	6	5	5	4	4	3	2															
	80	6	5	5	4	4	3	2	1																
Shut-off PSI		149	140	131	122	114	105	96	88	79	70	53	45	27											
3/4	0	-	-	-	-	-	-	-	-	7	7	7	6	6	5	5	4	3							
	20	-	-	-	-	-	-	7	7	7	6	6	6	5	4	4	3	2							
	30	-	-	-	-	8	7	7	7	6	6	6	5	5	4	4	2								
	40	-	-	-	8	7	7	7	6	6	6	5	5	4	3	3									
	50	-	-	7	7	7	6	6	6	6	5	5	5	4	3	2									
	60	7	7	7	7	6	6	6	6	5	5	5	4	3	2										
	80	7	7	6	6	6	6	5	5	5	4	4	3	3											
Shut-off PSI		220	211	203	194	185	177	168	159	151	142	125	116	99	81	73	55	38							
1	0	-	-	-	-	-	-	-	-	-	8	7	7	6	6	6	5	5	4	4					
	20	-	-	-	-	-	-	-	7	7	7	6	6	6	5	5	5	4	3	2					
	30	-	-	-	-	-	-	7	7	7	7	6	6	5	5	5	4	3	2	2					
	40	-	-	-	-	7	7	7	6	6	6	6	5	5	4	4	3	2	1						
	50	-	-	-	7	7	7	6	6	6	6	5	5	5	4	4	3	2	1						
	60	-	-	-	7	7	7	6	6	6	6	5	5	5	4	4	3	1							
	80	7	7	7	7	6	6	6	6	6	5	5	5	4	3	3	2								
Shut-off PSI		257	248	239	231	222	213	205	196	187	179	161	153	135	118	109	92	75	58	49					
1-1/2	0	-	-	-	-	-	-	-	-	-	-	-	7	7	7	6	6	6	6	5	3				
	20	-	-	-	-	-	-	-	-	-	-	7	7	7	7	6	6	6	5	5	4	3			
	30	-	-	-	-	-	-	-	-	-	7	7	7	7	6	6	6	6	5	5	4				
	40	-	-	-	-	-	-	-	-	7	7	7	7	6	6	6	6	5	5	4					
	50	-	-	-	-	-	-	-	7	7	7	7	7	6	6	6	5	5	5	4	3				
	60	-	-	-	-	-	-	7	7	7	7	7	6	6	6	6	5	5	5	4	4	3			
	80	-	-	-	-	7	7	7	7	6	6	6	6	5	5	5	4	4	3						
Shut-off PSI		351	343	334	325	317	308	300	291	282	274	256	248	230	213	204	187	170	152	144	100	57			
2	0	-	-	-	7	7	7	6	6	6	5	5	5	4	4	4	3	3	3	2	1				
	20	-	-	-	7	7	7	6	6	6	6	5	5	4	4	4	4	3	2	2	2				
	30	-	-	-	7	7	7	6	6	6	6	5	5	5	4	4	3	3	2	1	1				
	40	-	-	7	7	7	6	6	6	6	5	5	5	4	4	4	3	2	2	1					
	50	-	-	7	7	7	6	6	6	5	5	5	4	4	4	3	3	2	2	1					
	60	-	8	7	7	7	6	6	6	5	5	5	4	4	3	3	2	2							
	80	8	7	7	7	6	6	6	6	5	5	4	4	3	3	2	2	1							
Shut-off PSI		450	429	407	385	364	342	320	299	277	255	234	212	191	169	147	126	104	82	61	39	17			

Notes: 1. Performance shown does not include friction loss in the drop pipe.
 2. All performance data is based on rated motor nameplate voltage.

4" Submersible Pump

Legend 7 GPM Performance Curves



4" Submersible Pump

Legend 7 GPM Performance Charts

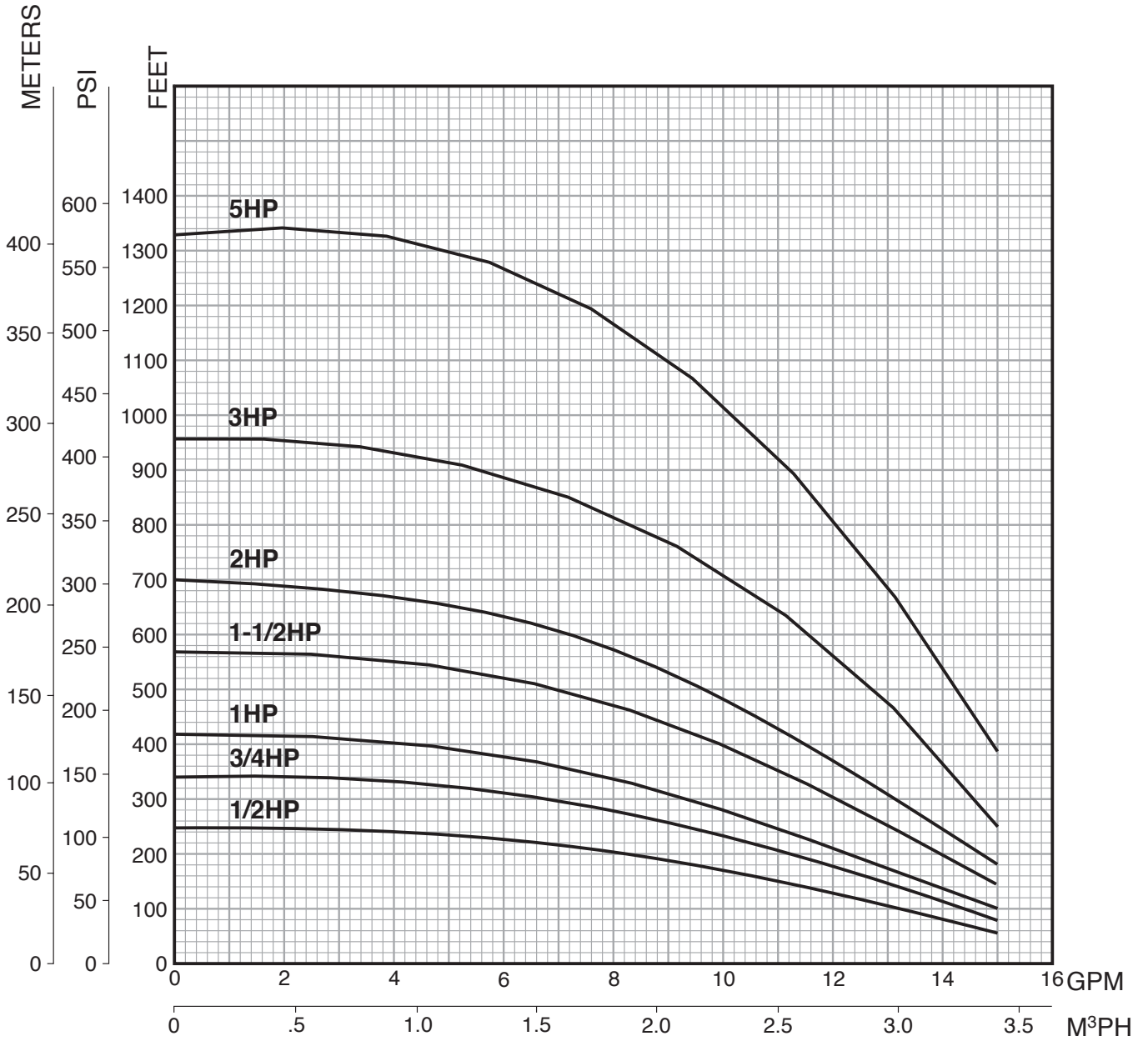
Capacities in U.S. Gallons per Minute

HP	PSI	DEPTH TO PUMPING WATER LEVEL, OR LIFT, IN FEET																							
		20	40	60	80	100	120	140	160	180	200	240	260	300	340	360	400	440	480	500	600	700	800	900	1000
1/3	0	-	-	11	10	9	8	7	6	4															
	20	10	9	9	8	7	5	1																	
	30	9	9	8	7	5	1																		
	40	9	8	6	5	1																			
	50	8	6	4	2																				
	60	6	4																						
Shut-off PSI		76	67	59	50	41	33	24	15	7															
1/2	0	-	-	12	11	10	10	9	9	8	7	6	4												
	20	11	11	10	9	9	8	8	7	6	5														
	30	11	10	9	9	8	8	7	6	5	3														
	40	10	9	9	8	8	7	6	5	3															
	50	9	9	8	7	7	6	5	3																
	60	9	8	8	7	6	5	3																	
80	7	6	5	3																					
Shut-off PSI		116	108	99	90	82	73	64	56	47	38	21	12												
3/4	0	-	-	-	11	11	10	10	9	9	9	8	7	6	4	2									
	20	12	11	11	10	10	9	9	9	8	8	7	6	3											
	30	11	11	10	10	9	9	9	8	8	7	6	5												
	40	11	10	10	9	9	9	8	8	7	6	5	3												
	50	10	10	9	9	9	8	8	7	6	6	2													
	60	10	9	9	8	8	8	7	6	5	4														
80	9	8	8	7	7	6	5	3																	
Shut-off PSI		154	146	137	129	120	111	103	94	85	77	59	51	33	16	7									
1	0	-	-	-	-	12	11	11	11	10	10	9	9	8	8	7	6	5	2						
	20	-	-	12	11	11	10	10	10	10	9	9	8	7	7	6	4	1							
	30	-	12	11	11	10	10	10	9	9	9	8	8	7	6	5	3								
	40	12	11	11	10	10	10	9	9	9	8	7	6	5	4										
	50	11	11	10	10	10	9	9	9	8	8	7	6	4											
	60	11	10	10	10	9	9	9	8	8	8	7	6	5	3										
80	10	9	9	9	8	8	8	7	7	6	5	4													
Shut-off PSI		203	194	185	177	168	160	151	142	134	125	108	99	81	64	56	38	21	4						
1-1/2	0	-	-	-	-	-	11	11	11	10	10	10	9	9	9	8	7	7	6	4					
	20	-	-	-	11	11	11	11	10	10	10	9	9	8	8	7	7	6	5						
	30	-	-	11	11	11	11	10	10	10	10	9	9	8	8	7	7	6	5	5					
	40	-	11	11	11	11	10	10	10	10	9	9	8	8	7	7	6	6	4	3					
	50	11	11	11	11	10	10	10	10	9	9	9	8	8	7	7	6	5	3	2					
	60	11	11	11	10	10	10	10	9	9	8	8	7	7	6	6	4	2	1						
80	10	10	10	10	9	9	9	8	8	8	7	7	6	5	4	2									
Shut-off PSI		268	260	251	242	234	225	216	208	199	180	173	164	147	130	121	104	87	69	61	17				
2	0	-	-	-	-	-	11	10	10	9	9	8	8	7	6	5	3	1							
	20	-	-	-	11	10	10	10	9	9	8	8	7	6	5	3	1								
	30	-	-	12	11	10	10	9	9	9	8	8	7	6	4	2									
	40	-	12	11	10	10	9	9	9	8	8	7	6	5	3	1									
	50	12	11	10	10	10	9	9	9	8	8	7	6	4	2										
	60	12	11	10	9	9	9	8	8	7	7	5	4	1											
70	11	10	10	9	9	9	8	8	7	6	5	3													
80	11	10	9	9	9	8	8	7	5	4	1														
Shut-off PSI		325	304	282	261	239	217	196	174	152	131	109	87	66	44	22									
3	0	-	-	-	-	-	11	11	10	10	9	9	9	8	8	7	6	5	4	3					
	20	-	-	-	12	11	10	10	10	9	9	9	8	8	7	7	6	4	3	1					
	30	-	-	-	12	11	10	10	9	9	9	8	8	7	6	5	4	2							
	40	-	-	12	11	11	10	10	9	9	9	8	8	7	7	6	4	3	1						
	50	-	-	12	11	10	10	9	9	9	9	8	8	7	6	5	4	2							
	60	-	12	11	11	10	10	9	9	9	8	8	7	7	6	4	3	1							
70	-	12	11	10	10	10	9	9	9	8	8	7	6	5	4	2									
80	12	11	11	10	10	9	9	9	8	8	7	7	6	5	3	1									
Shut-off PSI		436	415	393	371	350	328	306	285	263	241	220	198	177	155	133	112	90	68	47	25				

Notes: 1. Performance shown does not include friction loss in the drop pipe.
 2. All performance data is based on rated motor nameplate voltage.

4" Submersible Pump

Legend 10 GPM Performance Curves



4" Submersible Pump

Legend 10 GPM Performance Charts

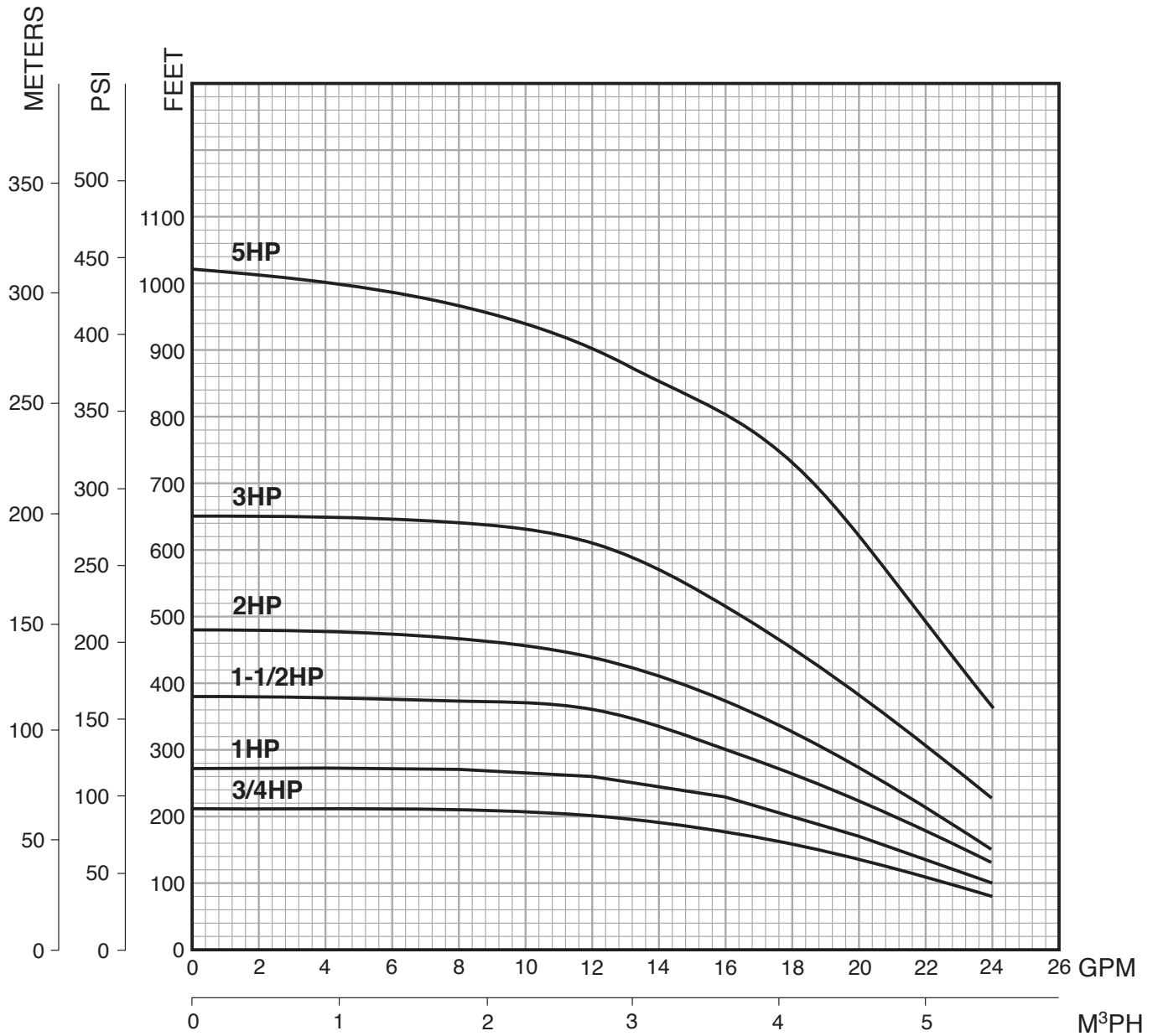
Capacities in U.S. Gallons per Minute

HP	PSI	DEPTH TO PUMPING WATER LEVEL, OR LIFT, IN FEET																		Shut-off							
		SHADED AREAS INDICATE MOST EFFICIENT PERFORMANCE																									
		20	40	60	80	100	120	140	160	180	200	240	260	300	340	360	400	440	480		500	600	700	800	900	1000	
1/2	0	-	-	15	13	12	12	11	10	9	8	2														Shut-off 245 ft.	
	20	14	13	12	12	11	10	9	7																		
	30	13	12	11	11	10	9	7																			
	40	12	11	11	10	9	7																				
	50	11	11	10	8	6																					
	60	10	10	8	6	4																					
	80	7	5																								
Shut-off PSI	97	88	80	71	62	54	45	36	28	19	2																
3/4	0	-	-	-	15	14	13	13	12	11	11	9	9	6												Shut-off 339 ft.	
	20	-	14	14	13	12	12	11	11	10	9	7	5														
	30	14	14	13	12	12	11	10	10	9	8	5	4														
	40	13	13	12	12	11	10	10	9	8	7																
	50	13	12	12	11	10	10	10	8	7	5																
	60	12	12	11	10	9	9	8	6	5																	
	80	11	10	9	8	7	6	4																			
Shut-off PSI	138	129	120	112	103	95	86	77	69	60	43	34	17														
1	0	-	-	-	-	15	14	13	13	12	12	11	10	9	8	7	4									Shut-off 427 ft.	
	20	-	-	14	14	13	13	12	12	11	11	9	9	8	6	4											
	30	-	14	14	13	12	12	11	11	10	10	9	8	7	4												
	40	14	14	13	12	12	11	11	10	10	9	8	7	5													
	50	14	13	12	12	11	11	10	10	9	9	7	6	3													
	60	13	12	12	11	11	10	10	9	9	7	6	5														
	80	12	11	10	10	9	9	8	8	7	6																
Shut-off PSI	176	167	158	150	141	132	124	115	106	98	80	72	54	37	29	11											
1-1/2	0	-	-	-	-	-	-	-	15	14	14	13	12	12	11	10	10	9	8	7					Shut-off 570 ft.		
	20	-	-	-	-	14	14	14	13	13	12	12	11	11	10	9	9	8	6	5							
	30	-	-	-	14	14	14	13	13	12	12	11	11	10	9	8	7	4									
	40	-	-	14	14	14	13	13	13	12	12	11	10	10	9	8	7	6									
	50	-	14	14	14	13	13	12	12	12	11	10	10	9	8	8	6	4									
	60	14	14	14	13	13	12	12	12	11	11	10	10	9	8	7	5										
	80	13	13	13	12	12	11	11	11	10	10	9	8	7	6	4											
Shut-off PSI	238	229	220	212	203	194	186	177	168	160	142	134	116	99	90	73	56	38	30								
2	0	-	-	-	-	-	-	-	15	14	14	13	13	12	12	11	10	10	9	7					Shut-off 704 ft.		
	20	-	-	-	-	-	14	14	14	14	13	13	12	11	11	10	10	9	8	5							
	30	-	-	-	-	-	14	14	14	13	13	13	12	12	11	11	10	9	8	4							
	40	-	-	-	-	14	14	14	13	13	13	12	12	11	11	10	10	9	8	7	1						
	50	-	-	-	14	14	14	13	13	13	13	12	12	11	10	10	9	8	7	7							
	60	-	-	14	14	14	13	13	13	12	12	12	11	10	10	9	8	7	6								
	80	14	14	14	13	13	13	12	12	12	11	10	9	9	8	7	6	4	2								
Shut-off PSI	296	287	278	270	261	252	244	235	226	218	200	192	174	157	148	131	114	96	88	45							
3	0	-	-	-	-	-	-	-	-	15	14	14	14	14	13	13	12	12	11	10	8	5			Shut-off 960 ft.		
	20	-	-	-	-	-	-	-	-	15	14	14	14	13	13	12	12	12	10	9	7	2					
	30	-	-	-	-	-	-	-	-	15	14	14	14	14	13	13	12	12	11	10	8	6					
	40	-	-	-	-	-	-	-	15	14	14	14	14	13	13	13	12	12	11	11	10	8	5				
	50	-	-	-	-	-	15	14	14	14	14	14	13	13	13	13	12	12	11	11	9	8	5				
	60	-	-	-	-	15	14	14	14	14	13	13	13	13	13	12	12	11	11	11	9	7	4				
	80	-	-	14	14	14	14	14	13	13	13	12	12	11	11	10	10	8	5								
Shut-off PSI	406	397	389	380	371	363	354	345	337	328	311	302	285	267	259	241	224	207	198	155	112	69	26				
5	0	-	-	-	14	14	13	12	12	11	10	9	7	5											Shut-off 1330 ft.		
	20	-	-	-	14	13	13	12	11	10	9	8	6														
	30	-	-	-	14	13	13	12	11	10	9	8	6														
	40	-	-	14	14	13	13	12	11	10	9	7	5														
	50	-	-	14	14	13	12	12	11	10	8	7	4														
	60	-	-	14	14	13	12	11	10	9	8	6															
	80	-	14	14	13	12	12	11	10	9	7	5															
Shut-off PSI	532	489	445	402	359	316	272	229	186	142	99	56	12														

Notes: 1. Performance shown does not include friction loss in the drop pipe.
 2. All performance data is based on rated motor nameplate voltage.

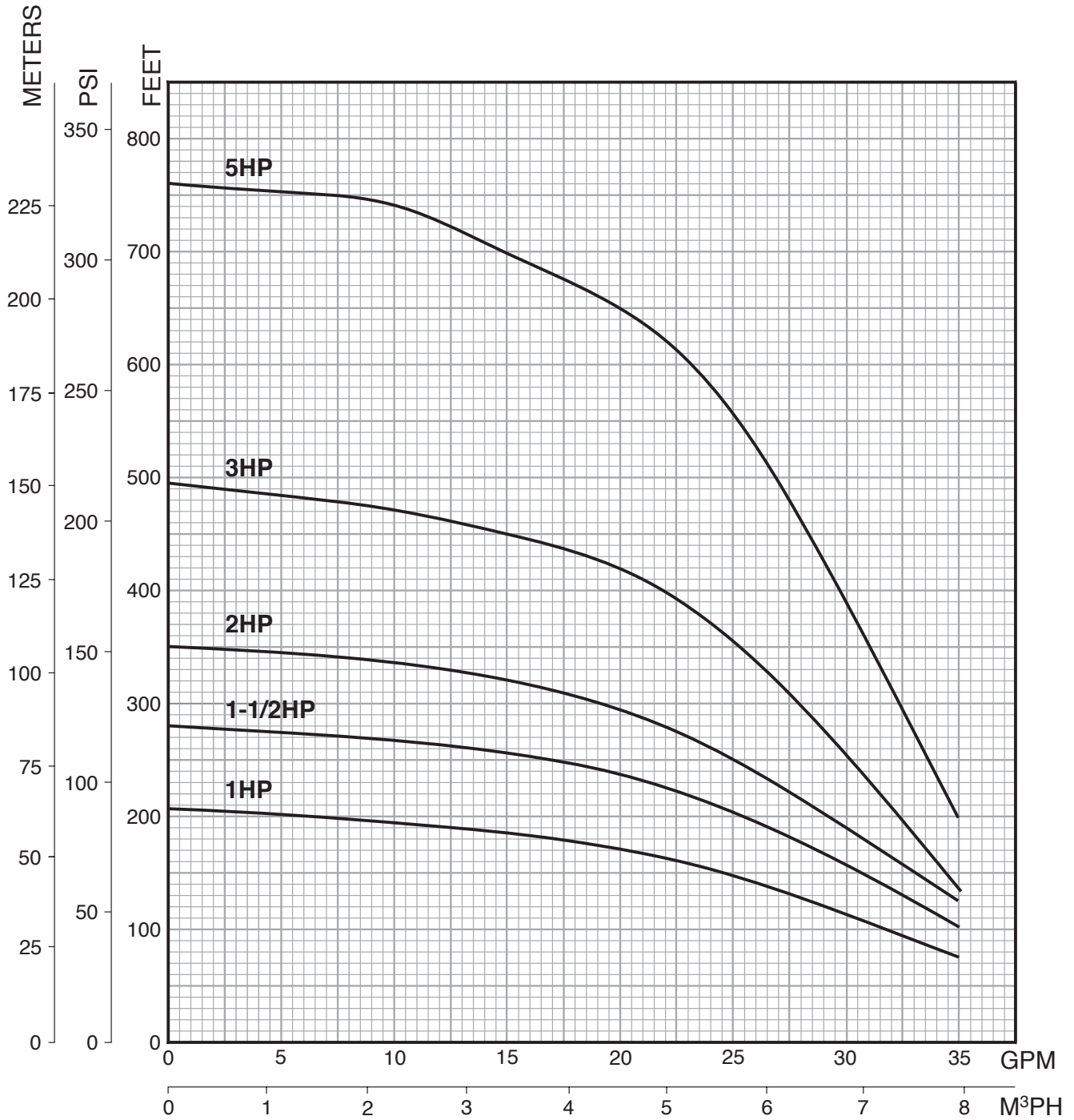
4" Submersible Pump

Legend 18 GPM Performance Curves



4" Submersible Pump

Legend 25 GPM Performance Curves



4" Submersible Pump

Legend 25 GPM Performance Charts

Capacities in U.S. Gallons per Minute

HP	PSI	DEPTH TO PUMPING WATER LEVEL, OR LIFT, IN FEET																							
		20	40	60	80	100	120	140	160	180	200	240	260	300	340	360	400	440	480	500	600		700	800	900
1	0	-	-	-	34	31	29	26	23	16	6														
	20	-	33	31	28	25	22	15																	
	30	33	31	28	25	21	14																		
	40	30	27	24	19	10																			
	50	27	24	19	9																				
	60	23	17	8																					
Shut-off PSI		81	72	64	55	46	38	29	20	12	3														
1-1/2	0	-	-	-	-	35	33	31	29	28	25	19	13												
	20	-	-	34	33	31	29	27	25	22	18														
	30	-	34	32	31	29	27	24	22	18	9														
	40	33	32	30	28	26	24	21	15	6															
	50	32	30	28	26	24	20	15	4																
	60	30	28	26	23	20	15	2																	
80	25	22	18	11																					
Shut-off PSI		113	104	96	87	78	70	61	52	44	35	18	9												
2	0	-	-	-	-	-	35	33	32	30	29	26	24	19	7										
	20	-	-	-	35	33	32	30	28	27	25	21	18	5											
	30	-	-	34	33	32	30	28	27	25	23	18	13												
	40	-	34	32	31	29	28	26	24	23	20	11													
	50	34	32	31	29	28	26	24	22	20	16														
	60	34	32	29	28	26	24	22	19	16	9														
80	28	27	25	23	21	18	14	5																	
Shut-off PSI		142	133	125	116	107	99	90	81	73	64	47	38	21											
3	0	-	-	-	-	-	-	34	34	33	32	30	29	28	26	25	22	17	6						
	20	-	-	-	-	34	34	33	32	31	30	28	28	26	23	22	16	4							
	30	-	-	-	34	33	33	32	31	30	29	27	27	25	21	19	11								
	40	-	35	34	33	32	31	31	30	29	28	26	25	23	18	14									
	50	35	34	33	32	32	31	30	29	28	27	25	24	20	13	8									
	60	34	33	32	31	31	30	29	28	27	26	24	22	20	8										
80	32	31	30	29	28	28	27	26	25	23	19	16	4												
Shut-off PSI		205	196	188	179	170	162	153	144	136	127	110	101	84	66	58	40	23	6						
5	0	-	-	-	-	-	-	-	-	-	35	34	33	32	31	30	29	28	27	26	23	14			
	20	-	-	-	-	-	-	-	34	34	33	32	32	31	30	29	28	27	26	25	20	9			
	30	-	-	-	-	-	-	34	34	33	33	32	31	31	30	29	28	27	26	25	24	18			
	40	-	-	-	-	-	34	34	33	33	32	32	31	31	29	28	28	27	25	24	23	15			
	50	-	-	-	-	34	34	33	33	32	32	31	30	29	28	27	26	25	23	22	13				
	60	-	-	-	34	34	33	33	32	32	31	30	29	28	27	27	25	24	22	21	10				
80	34	34	33	33	32	32	31	31	30	30	29	28	27	26	25	23	21	18	16						
Shut-off PSI		321	312	304	295	286	278	269	260	252	243	226	217	200	182	174	156	139	122	113	70	26			

Notes: 1. Performance shown does not include friction loss in the drop pipe.
 2. All performance data is based on rated motor nameplate voltage.

4" Submersible Pump

Legend 5-25 GPM

Stainless Steel Units Ordering Information

1/2 - 1-1/2 HORSEPOWER SINGLE PHASE UNITS									
GPM	HP	Stages	Volts	2 WIRE			3 WIRE		
				Model No.	Order No.	Wt.	Model No.	Order No.	Wt.
5	1/2	13	115	T5L4D5X13-S1	93420513	29	5L4D5X13-S1	93422513	27
	1/2	13	230	T5L4D5X13-S2	93421513	29	5L4D5X13-S2	93423513	27
	3/4	18	230	T7L4D5X18-S2	93420518	32	7L4D5X18-S2	93421518	31
	1	21	230	T1L4D5X21-S2	93420521	38	1L4D5X21-S2	93421521	35
	1-1/2	28	230	T15L4D5X28-S2	93420528	42	15L4D5X28-S2	93421528	41
	2	38	230	This rating not available in 2-wire			20L4D5X38-S2	93420538	52
7	1/2	9	115	T5L4D7X9-S1	93420709	28	5L4D7X9-S1	93422709	28
	1/2	9	230	T5L4D7X9-S2	93421709	28	5L4D7X9-S2	93423709	28
	3/4	12	230	T7L4D7X12-S2	93420712	31	7L4D7X12-S2	93421712	32
	1	15	230	T1L4D7X15-S2	93420715	37	1L4D7X15-S2	93421715	35
	1-1/2	20	230	T15L4D7X20-S2	93420720	47	15L4D7X20-S2	93421720	46
	2	25	230	This rating not available in 2-wire			20L4D7X25-S2	93420725	48
10	1/2	8	115	T5L4D10X8-S1	93421008	27	5L4D10X8-S1	93423008	26
	1/2	8	230	T5L4D10X8-S2	93422008	27	5L4D10X8-S2	93424008	26
	3/4	11	230	T7L4D10X11-S2	93421011	32	7L4D10X11-S2	93422011	31
	1	14	230	T1L4D10X14-S2	93421014	34	1L4D10X14-S2	93422014	35
	1-1/2	19	230	T15L4D10X19-S2	93421019	48	15L4D10X19-S2	93422019	45
	2	24	230	This rating not available in 2-wire			20L4D10X24-S2	93421024	48
18	3/4	8	230	T7L4D18X8-S2	93421808	26	7L4D18X8-S2	93422808	30
	1	10	230	T1L4D18X10-S2	93421810	34	1L4D18X10-S2	93422810	34
	1-1/2	14	230	T15L4D18X14-S2	93421814	46	15L4D18X14-S2	93422814	45
	2	18	230	This rating not available in 2-wire			20L4D18X18-S2	93421818	44
25	1	7	230	T1L4D25X7-S2	93422507	32	1L4D25X7-S2	93423507	35
	1-1/2	10	230	T15L4D25X10-S2	93422510	45	15L4D25X10-S2	93423510	43
	2	12	230	This rating not available in 2-wire			20F4P25X12-S2	93422512	44

Note: All Dimensions are in inches. Discharge is 1-1/4" NPT. Maximum diameter across cable guard is 3.90" on all models. Weight in pounds.

4" Submersible Pump

Legend 5-25 GPM

Stainless Steel Pump Ends Ordering Information

STAINLESS STEEL 1/3 - 5 HP PUMP ENDS					
GPM	HP	Stages	Model No.	Order No.	Wt.
5	1/3	9	L4D5X9	93430509	9
	1/2	13	L4D5X13	93430513	11
	3/4	18	L4D5X18	93430518	12
	1	21	L4D5X21	93430521	15
	1-1/2	28	L4D5X28	93430528	17
	2	38	L4D5X38	93430538	20
7	1/3	6	L4D7X6	93430706	9
	1/2	9	L4D7X9	93430709	10
	3/4	12	L4D7X12	93430712	9
	1	15	L4D7X15	93430715	12
	1-1/2	20	L4D7X20	93430720	16
	2	25	L4D7X25	93430725	16
	3	33	L4D7X33	93430733	20
10	1/2	8	L4D10X8	93431008	9
	3/4	11	L4D10X11	93431011	10
	1	14	L4D10X14	93431014	12
	1-1/2	19	L4D10X19	93431019	15
	2	24	L4D10X24	93431024	16
	3	31	L4D10X31	93431031	18
	5	44	L4D10X44	93431044	21
18	3/4	8	L4D18X8	93431808	9
	1	10	L4D18X10	93431810	10
	1-1/2	14	L4D18X14	93431814	12
	2	18	L4D18X18	93431818	12
	3	24	L4D18X24	93431824	16
	5	39	L4D18X39	93431839	27
25	1	7	L4D25X7	93432507	9
	1-1/2	10	L4D25X10	93432510	10
	2	12	L4D25X12	93432512	12
	3	17	L4D25X17	93432517	14
	5	27	L4D25X27	93432527	18

Note: All Dimensions are in inches. Discharge is 1-1/4" NPT. Maximum diameter across cable guard is 3.90" on all models. Weight in pounds.

4" Submersible Pump

Legend 5-25 GPM

Thermoplastic Units Ordering Information

1/2 - 1-1/2 HORSEPOWER SINGLE PHASE UNITS									
GPM	HP	Stages	Volts	2 WIRE			3 WIRE		
				Model No.	Order No.	Wt.	Model No.	Order No.	Wt.
5	1/2	13	115	T5L4D5P13-S1	93400513	26	5L4D5P13-S1	93402513	25
	1/2	13	230	T5L4D5P13-S2	93401513	26	5L4D5P13-S2	93403513	25
	3/4	18	230	T7L4D5P18-S2	93400518	29	7L4D5P18-S2	93401518	30
	1	21	230	T1L4D5P21-S2	93400521	33	1L4D5P21-S2	93401521	34
7	1/2	9	115	T5L4D7P9-S1	93400709	24	5L4D7P9-S1	93402709	24
	1/2	9	230	T5L4D7P9-S2	93401709	24	5L4D7P9-S2	93403709	24
	3/4	12	230	T7L4D7P12-S2	93400712	28	7L4D7P12-S2	93401712	28
	1	15	230	T1L4D7P12-S2	93400715	33	1L4D7P12-S2	93401715	32
	1-1/2	20	230	T15L4D7P20-S2	93400720	44	15L4D7P20-S2	93401720	43
10	1/2	8	115	T5L4D10P8-S1	93401008	24	5L4D10P8-S1	93403008	24
	1/2	8	230	T5L4D10P8-S2	93402008	24	5L4D10P8-S2	93404008	24
	3/4	11	230	T7L4D10P11-S2	93401011	28	7L4D10P11-S2	93402011	28
	1	14	230	T1L4D10P14-S2	93401014	31	1L4D10P14-S2	93402014	32
	1-1/2	19	230	T15L4D10P19-S2	93401019	46	15L4D10P19-S2	93402019	42
18	3/4	8	230	T7L4D18P8-S2	93401808	28	7L4D18P8-S2	93402808	27
	1	10	230	T1L4D18P10-S2	93401810	31	1L4D18P10-S2	93402810	30
	1-1/2	14	230	T15L4D18P14-S2	93401814	40	15L4D18P14-S2	93402814	39
	44	18	230	This rating not available in 2-wire			20L4D18P18-S2	93401818	43
25	1	7	230	T1L4D25P7-S2	93402507	30	1L4D25P7-S2	93403507	33
	1-1/2	10	230	T15L4D25P10-S2	93402510	43	15L4D25P10-S2	93403510	39
	2	12	230	This rating not available in 2-wire			20L4D25P12-S2	93402512	41

Note: All listed above have 1-1/4" NPT discharge and feature our removable Flomatic™ poppet assembly.

THERMOPLASTIC 1/3 - 2 HP PUMP ENDS							
GPM	HP	Stages	Volts	Ordering Info.		Dimensions	Wt.
				Model No.	Order No.	PEA	
5	1/3	9	n.a.	L4D5P9	93410509	14.40	6
	1/2	13	n.a.	L4D5P13	93410513	17.56	8
	3/4	18	n.a.	L4D5P18	93410518	21.53	10
	1	21	n.a.	L4D5P21	93410521	23.90	11
7	1/2	9	n.a.	L4D7P9	93410709	15.28	4
	3/4	12	n.a.	L4D7P12	93410712	17.96	7
	1	15	n.a.	L4D7P15	93410715	20.65	8
	1-1/2	20	n.a.	L4D7P20	93410720	25.09	10
10	1/2	8	n.a.	L4D10P8	93411008	14.40	6
	3/4	11	n.a.	L4D10P11	93411011	17.09	7
	1	14	n.a.	L4D10P14	93411014	19.78	8
	1-1/2	19	n.a.	L4D10P19	93411019	26.34	12
18	3/4	8	n.a.	L4D18P8	93411808	17.09	7
	1	10	n.a.	L4D18P10	93411810	19.53	7
	1-1/2	14	n.a.	L4D18P14	93411814	24.46	10
	2	18	230	L4D18P18	93411818	31.46	11
25	1	7	n.a.	L4D25P7	93412507	15.84	6
	1-1/2	10	n.a.	L4D25P10	93412510	19.53	8
	2	12	230	L4D25P12	93412512	24.09	9

Note: All dimensions are in inches. Discharge is 1-1/4" NPT. Maximum diameter across cable guard is 3.90" on all models. Weight in pounds.



High Capacity

35, 45, 60 and 90GPM Models



Features:

- 4 performance ranges - 35, 45, 60 & 90 GPM
- Stainless Steel discharge head and motor bracket
- High flow impellers and stages are glass-filled Noryl for maximum efficiency.
- Ceramic shaft sleeve and rubber discharge bearing eliminates sand wear.
- Intermediate bearing for increased shaft stability.
- Floating eye and hub seals for improved performance and efficiency.
- Stainless steel hex pump shaft, shell and shaft coupling
- High capacity upthrust assembly for protection during start-up and operation (45, 60 and 90 GPM models)
- Powered by Franklin's corrosion-resistant 4" submersible motors
- 2" NPT Discharge Tapping
- Check valve must be ordered separately. See page 46.

Model Number Explanation:

Example: 15L4D35X8-S2

15 = 1-1/2 HP

L = Legend

4 = 4" Submersible

D =

35 = 35 GPM

8 = Number of stages

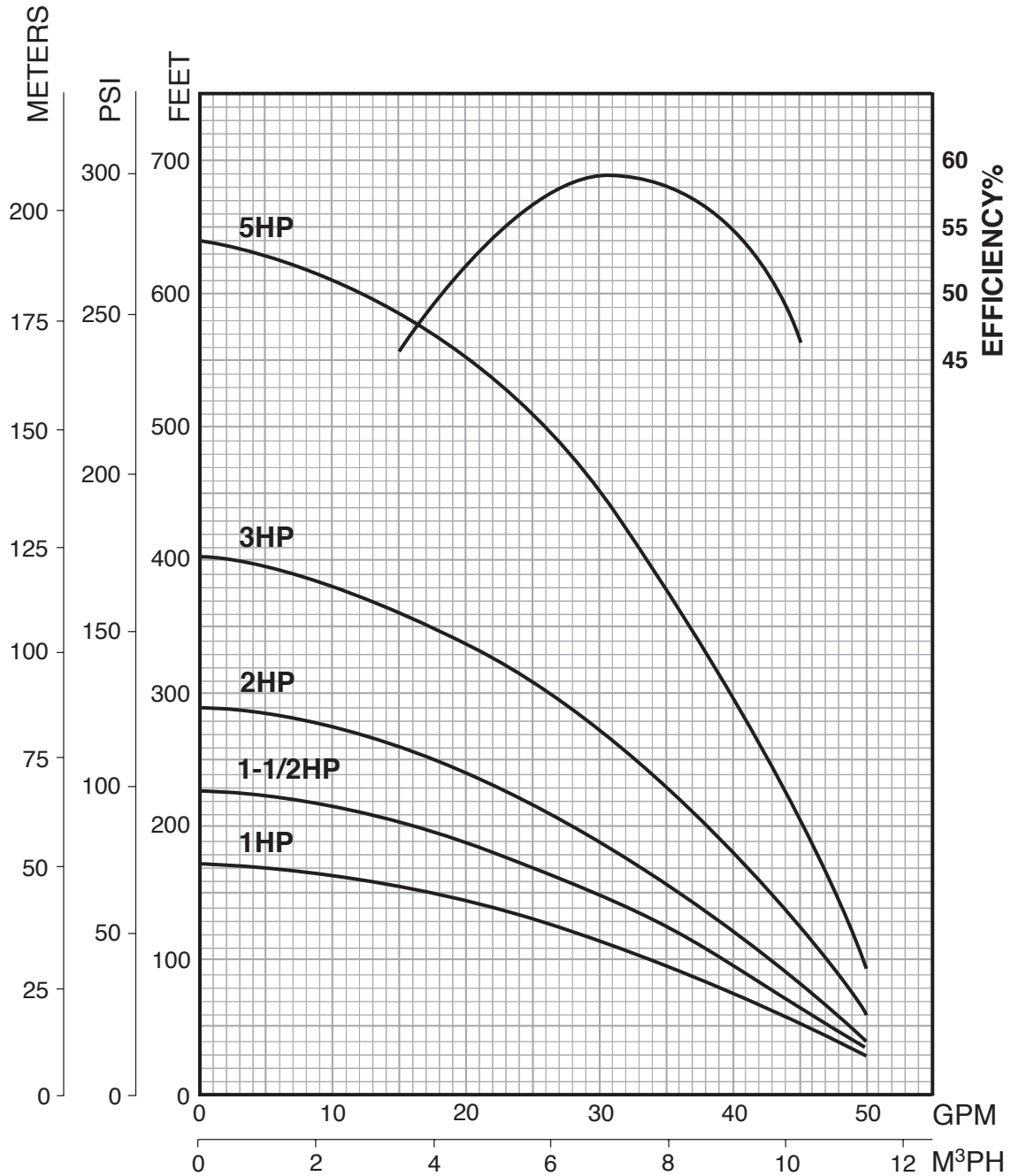
X = Stainless Steel

S = Single Phase

2 = 230V

4" Submersible Pump

Legend High Capacity 35 GPM Performance Curves



Notes: 1. Performance shown does not include friction loss in the drop pipe.
 2. All performance data is based on rated motor nameplate voltage.

4" Submersible Pump

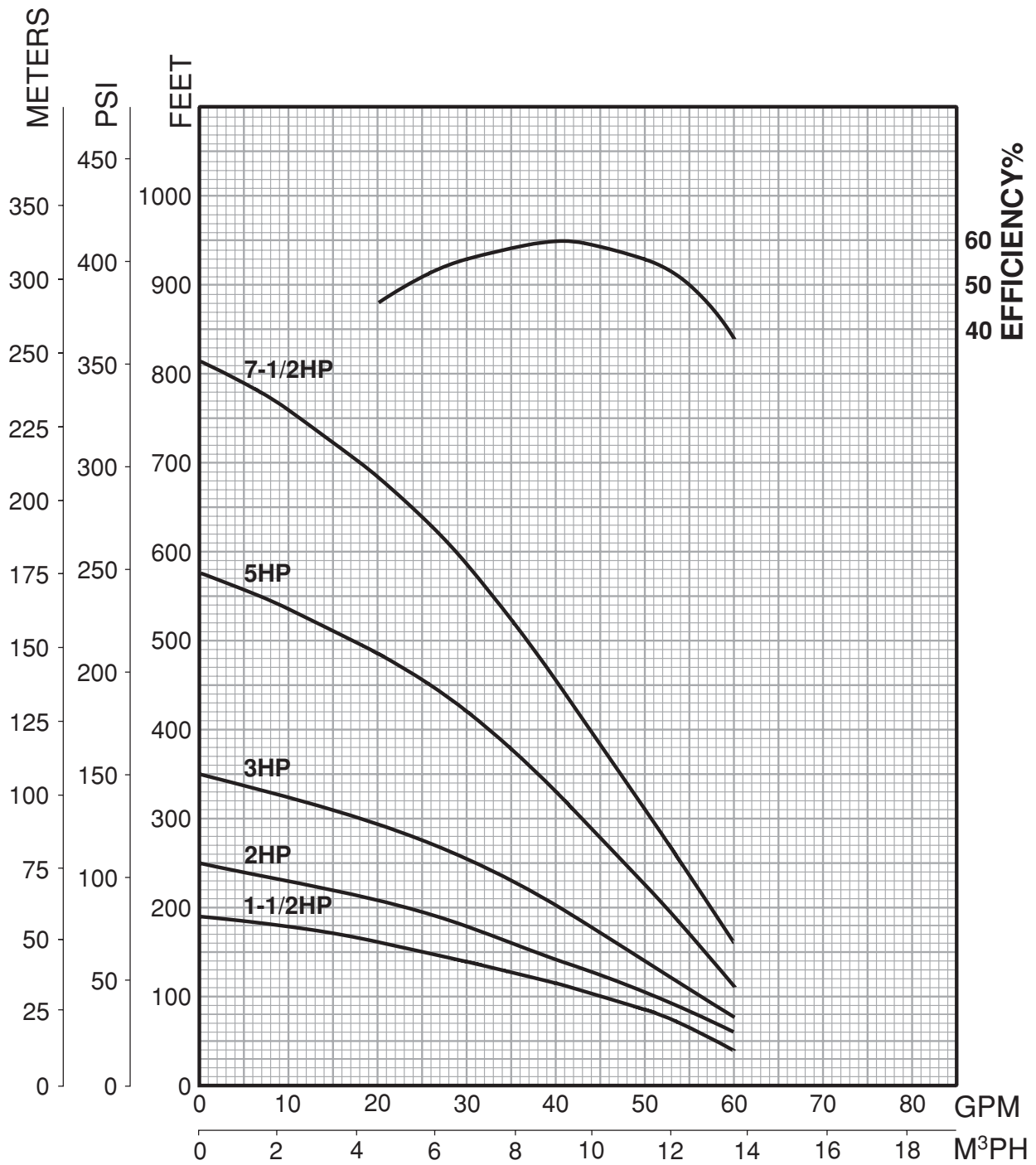
Legend High Capacity 35 GPM Performance Charts

Capacities in U.S. Gallons per Minute

HP	PSI	DEPTH TO PUMPING WATER LEVEL, OR LIFT, IN FEET																							
		20	40	60	80	100	120	140	160	180	200	220	240	260	280	300	320	340	360	380	400	450	500	550	600
1	0	-	48	44	39	34	28	21	11																
	20	42	37	32	26	18	7																		
	30	36	31	25																					
	40	30	24	15																					
	50	23	14																						
	60	12																							
	70																								
	80																								
Shut-off PSI		65	57	48	39	31	22	13	5																
1-1/2	0	-	49	46	43	40	36	32	27	22	16	8													
	20	45	42	39	35	31	26	20	14																
	30	41	38	34	30	25	20	13																	
	40	37	33	29	24	18	11																		
	50	33	29	24	18	10																			
	60	28	23	17	9																				
	70	22	16	7																					
	80	14	3																						
Shut-off PSI		89	81	72	63	54	46	37	28	20	11	2													
2	0	-	50	48	45	43	40	37	34	31	28	24	19	14	7										
	20	47	45	42	39	36	33	30	27	22	18	13	3												
	30	44	41	39	36	33	30	26	22	17	12														
	40	41	38	35	32	29	25	21	16	10															
	50	38	35	32	29	25	20	16	9																
	60	35	31	28	24	20	15	8																	
	70	31	27	23	19	14	6																		
	80	27	23	18	13	4																			
Shut-off PSI		116	107	99	90	81	73	64	55	47	38	29	21	12	3										
3	0	-	-	50	48	47	46	44	42	39	37	35	33	31	28	26	23	19	15	10					
	20	49	48	47	45	43	41	39	37	35	33	30	28	25	22	18	14	8							
	30	48	46	45	43	41	39	37	35	32	30	27	25	21	17	13	7								
	40	46	44	42	40	38	36	34	32	29	27	24	20	17	12	5									
	50	44	42	40	38	36	34	31	29	26	24	20	16	12	4										
	60	42	40	38	36	33	31	29	26	23	19	15	11	2											
	70	39	37	35	33	31	28	26	22	19	15	10													
	80	37	35	33	30	28	25	22	18	14	9														
Shut-off PSI		165	156	148	139	130	122	113	104	96	87	78	70	61	52	44	35	26	18	9					
5	0	-	-	-	50	49	48	47	46	45	44	43	42	40	39	38	37	36	34	33	30	25	20	12	
	20	-	-	49	48	47	46	45	44	42	41	40	39	38	36	35	34	33	32	30	26	20	13		
	30	-	49	48	47	46	45	44	43	42	41	40	39	38	36	35	34	33	31	30	28	23	17	8	
	40	49	48	47	46	45	44	43	42	41	40	39	37	36	35	34	32	31	30	28	26	21	13		
	50	48	47	46	45	44	43	42	41	40	38	37	36	35	33	32	31	30	28	26	24	18	9		
	60	47	46	45	44	43	42	41	39	38	37	36	34	33	32	31	29	28	26	24	21	14			
	70	46	45	44	43	42	40	39	38	37	35	34	33	32	31	29	27	25	23	21	18	10			
	80	45	44	42	41	40	39	38	36	35	34	33	32	30	29	27	25	23	20	18	15	3			
Shut-off PSI		268	259	251	242	233	225	216	207	199	190	181	173	164	155	147	138	129	121	12	103	82	60	38	17

4" Submersible Pump

Legend High Capacity 45 GPM Performance Curves



- Notes:**
1. Performance shown does not include friction loss in the drop pipe.
 2. All performance data is based on rated motor nameplate voltage.
 3. Performance for former XP models are the same as 45 GPM models.

4" Submersible Pump

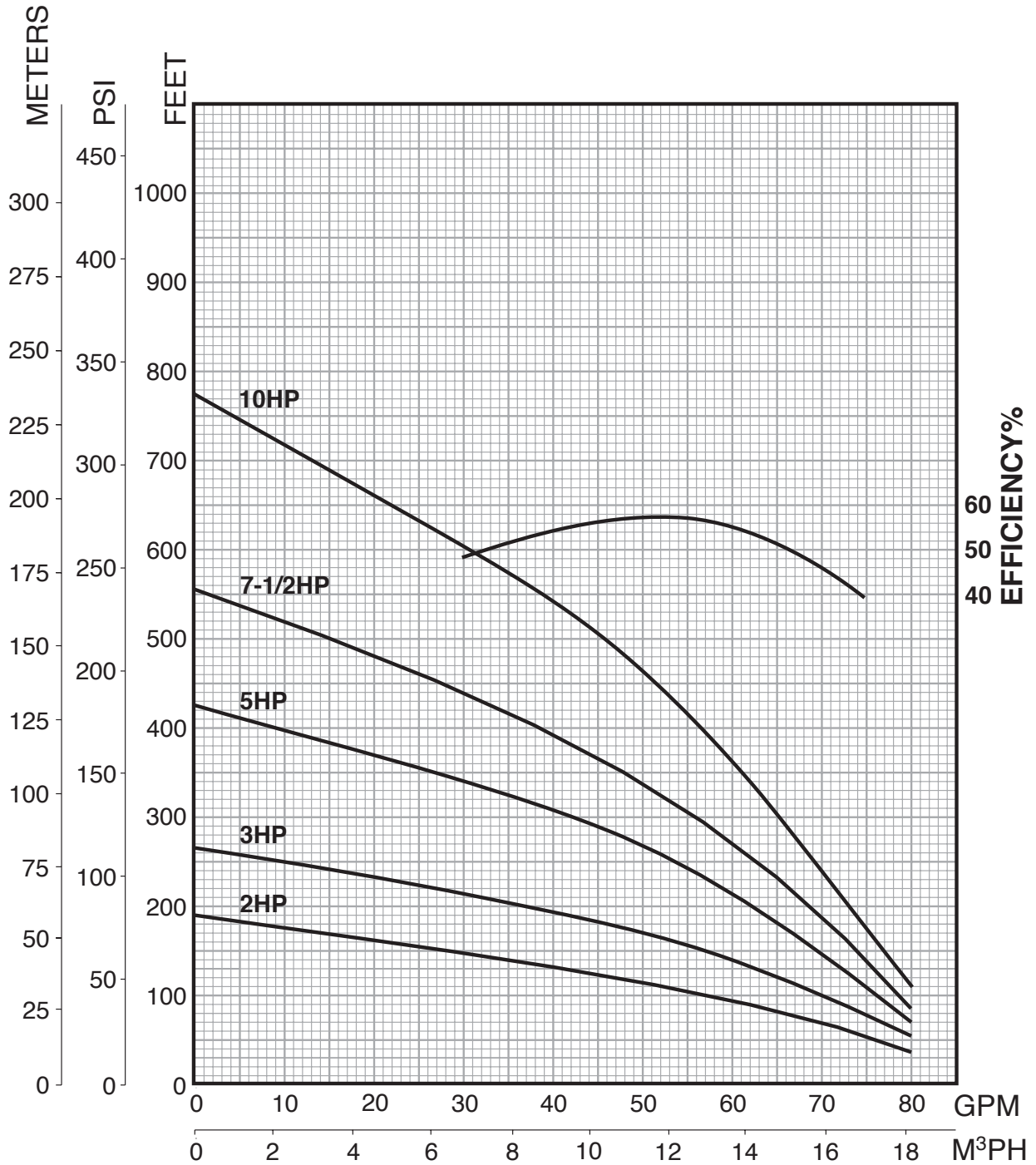
Legend High Capacity 45 GPM Performance Charts

Capacities in U.S. Gallons per Minute

HP	PSI	DEPTH TO PUMPING WATER LEVEL, OR LIFT, IN FEET																		
		SHADED AREAS INDICATE MOST EFFICIENT PERFORMANCE																		
		20	40	60	80	100	120	140	160	180	200	240	260	280	300	320	340	360	380	400
1-1/2	0	68	62	57	52	46	39	31												
	10	62	56	51	45	38	29	19												
	20	55	50	44	36	28	17	5												
	30	49	42	35	26	16	3													
	40	41	34	25	14															
	50	33	23	12																
	60	22	10																	
Shut-off PSI		74	65	56	48	39	30	22	13	4										
2	0	71	65	60	56	52	48	44	40	35	29									
	10	64	59	55	51	48	44	40	34	28	20									
	20	58	54	51	47	43	39	33	27	19	9									
	30	54	50	47	43	38	32	26	17	7										
	40	50	46	42	37	32	24	16	5											
	50	45	41	36	31	23	14	3												
	60	41	36	29	22	13	1.5													
Shut-off PSI		104	95	87	78	69	61	52	43	35	26	9								
3	0	72	68	65	62	59	56	53	50	47	43	36	31	26	20					
	10	68	64	61	58	55	52	49	46	43	39	30	25	19	12					
	20	64	61	58	55	52	49	46	42	38	34	24								
	30	60	57	54	52	48	45	42	38	34	29	17								
	40	57	54	51	48	45	41	37	33	28	22	16								
	50	54	51	47	44	41	37	32	27	21	15									
	60	50	47	44	40	36	31	26	20	14										
	70	46	43	39	35	31	25	19	13											
	80	43	39	35	30	24	18	12												
	90	38	34	29	24	18	11													
	100	33	28	23	16	9														
Shut-off PSI		143	134	126	117	108	100	91	82	74	65	48	39	30	22	13	4			
5	0	-	-	69	66	63	61	59	57	55	53	50	48	46	44	42	40	38	36	33
	20	68	65	63	60	57	56	54	52	51	49	46	44	42	40	38	35	32	29	26
	40	62	60	57	56	54	52	50	48	48	47	45	39	37	34	32	28	25	21	
	60	57	55	51	51	50	48	46	44	43	41	36	33	31	27	24	20	16		
	80	53	51	49	47	46	44	42	40	38	35	30	26	23	19					
	100	49	47	45	43	41	39	37	34	32	29	25	18							
	120	45	43	41	39	36	34	31	28	24	20	16								
	140	40	38	35	33	30	27	23	19											
	160	35	32	29	26	22	18													
	170	31	28	25	21	17														
Shut-off PSI		236	227	219	210	201	193	184	175	167	158	141	132	123	115	106	97	89	80	71
HP	PSI	DEPTH TO PUMPING WATER LEVEL, OR LIFT, IN FEET																		
		SHADED AREAS INDICATE MOST EFFICIENT PERFORMANCE																		
		50	100	150	200	250	300	350	400	450	500	550	600	650	700	750	800	850	900	950
7-1/2	0	-	-	-	57	54	50	47	44	40	36	32	28	24	18	11	3			
	20	-	-	57	54	50	47	44	40	36	32	28	24	18	11	3				
	40	-	58	54	51	48	45	41	37	33	29	24	18	12	5					
	60	58	55	52	48	45	41	37	33	29	25	19	12	5						
	80	55	52	48	45	41	37	33	29	25	19	12	5							
	100	52	48	45	42	38	34	30	25	20	14	6								
	120	49	45	42	38	34	30	25	21	14	7									
	140	45	42	38	35	30	26	21	15	7										
	160	42	39	35	31	26	21	15	8											
	180	39	35	31	27	22	16	8												
	200	35	31	27	22	16	9													
	220	32	27	22	17	10														
	Shut-off PSI		331	310	288	266	245	223	201	180	158	136	115	93	71	50	28	6		

4" Submersible Pump

Legend High Capacity 60 GPM Performance Curves



- Notes:**
1. Performance shown does not include friction loss in the drop pipe.
 2. All performance data is based on rated motor nameplate voltage.
 3. Performance for former YP models are the same as 60 GPM models.

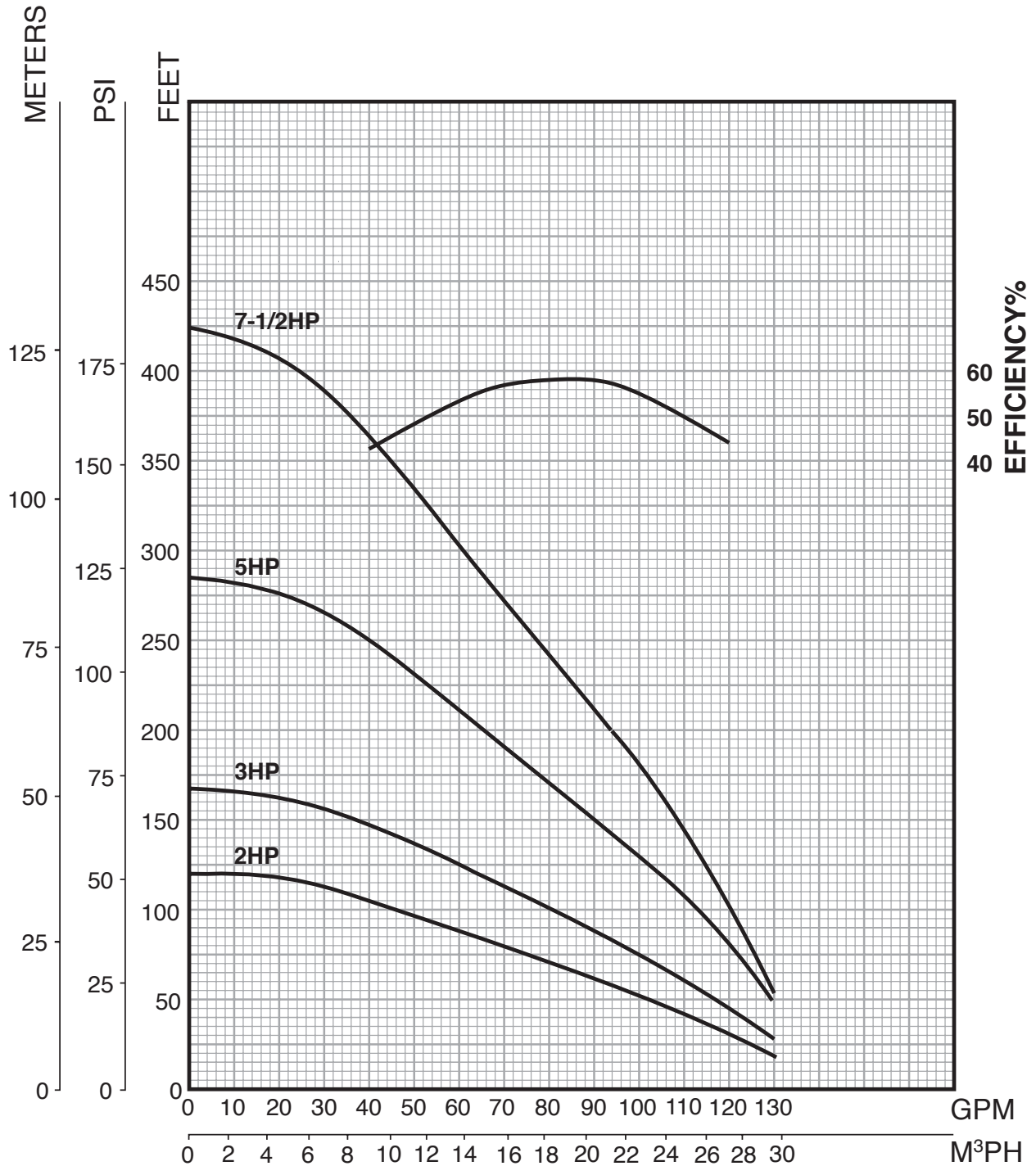
4" Submersible Pump

Legend High Capacity 60 GPM Performance Charts

Capacities in U.S. Gallons per Minute

HP	PSI	DEPTH TO PUMPING WATER LEVEL, OR LIFT, IN FEET																
		SHADED AREAS INDICATE MOST EFFICIENT PERFORMANCE																
		20	30	40	50	60	70	80	90	100	110	120	130	140	150	160	170	180
2	0	87	84	81	78	75	72	69	66	62	58	54	49					
	10	80	77	74	71	68	65	61	57	52	47	42	36					
	20	74	70	67	64	60	56	51	46	40	34	26	18					
	30	66	63	59	54	49	44	38	31	24	16							
	40	57	53	48	42	36	29	21	13									
	50	46	40	34	27	19												
60	32	24	16															
Shut-off PSI		74	69	65	61	56	52	48	43	39	30	26	22	17	13	9	4	
3	0	90	87	85	83	81	79	76	74	72	70	67	65	62	59	56	53	49
	10	84	82	80	78	76	74	71	69	67	64	61	58	55	51	47	43	38
	20	79	77	75	73	71	68	66	63	60	57	54	50	46	42	37	32	26
	30	74	72	70	68	65	59	56	53	49	45	40	35	30	24			
	40	69	67	64	62	58	55	52	48	43	39	34	28	22				
	50	63	61	58	54	50	46	42	37	32	26							
60	56	63	49	45	41	36	30	24										
Shut-off PSI		108	104	100	95	91	87	82	78	74	69	65	61	56	52	48	43	39
HP	PSI	20	40	60	80	100	120	140	160	180	200	220	240	260	280	300	320	340
5	0	85	85	80	80	75	75	70	70	65	65	60	55	50	45	45	35	30
	10	85	80	80	75	75	70	70	65	60	60	55	50	45	40	35	30	25
	20	80	80	75	75	70	70	65	60	60	55	50	45	40	35	30	25	15
	30	80	75	75	70	65	65	60	60	55	50	45	40	35	30	20	15	5
	40	75	70	70	65	65	60	55	55	50	45	40	35	30	25	10	5	
	50	70	70	65	65	60	55	55	50	45	40	35	25	25	10	5		
	60	70	65	65	60	55	50	50	45	40	30	25	20	10	5			
	70	65	60	60	55	50	45	40	35	30	25	15	10					
	80	60	60	55	50	45	40	35	30	25	15	10						
	90	60	55	50	45	40	35	30	20	15	5							
100	55	50	45	40	35	30	20	15	5									
Shut-off PSI		173	165	156	147	139	130	121	113	104	95	87	78	69	61	52	43	35
HP	PSI	50	100	150	200	250	300	350	400	450	500	550	600	650	700	750	800	850
7-1/2	0	-	78	73	68	63	56	49	40	28	15	2						
	20	78	73	68	63	56	49	40	28	15	2							
	40	75	69	64	58	50	41	30	18	3								
	60	70	64	58	50	42	31	18	4									
	80	65	59	51	43	32	19	5										
	100	59	52	43	32	20	6											
	120	52	44	33	21	8												
	140	44	34	21	8													
160	35	22	9															
Shut-off PSI		221	199	177	156	134	113	91	69	48	26	4						
10	0	-	-	75	72	69	65	61	56	51	45	38	30	21	13	4		
	20	-	75	72	69	65	61	56	51	46	38	31	22	14	5			
	40	75	72	69	65	61	56	51	45	39	31	22	14	5				
	60	73	69	66	62	57	52	47	40	32	24	15	6					
	80	70	66	62	57	52	47	40	32	24	15	6						
	100	66	62	58	53	48	41	34	25	16	7							
	120	63	58	53	48	41	34	25	16	8								
	140	58	53	48	42	34	26	17	8									
160	54	49	43	35	27	18	9											
Shut-off PSI		312	290	269	247	225	204	182	161	139	117	96	74	52	31	9		

Legend High Capacity 90 GPM Performance Curves



Notes: 1. Performance shown does not include friction loss in the drop pipe.
 2. All performance data is based on rated motor nameplate voltage.

4" Submersible Pump

Legend High Capacity 90 GPM Performance Charts

Capacities in U.S. Gallons per Minute

HP	PSI	DEPTH TO PUMPING WATER LEVEL, OR LIFT, IN FEET																	
		20	30	40	50	60	70	80	90	100	110	120	130	140	150	160	170	180	
2	0	130	120	110	100	90	80	70	60	45	30	10							
	10	105	100	90	80	70	55	40	20										
	20	85	75	65	50	35	15												
	30	60	45	30	10														
	40	25	5																
Shut-off PSI		43	39	35	30	26	22	17	13	9	4								
3	0	140	130	120	115	105	100	95	90	80	75	65	55	45	30	15			
	10	120	110	105	100	95	85	80	70	65	55	40	25	10					
	20	105	95	90	85	80	70	60	50	35	20	54							
	30	90	80	75	65	55	45	35	15										
	40	75	65	55	40	30	10												
	50	50	40	25	5														
60	20																		
Shut-off PSI		64	59	55	51	46	42	38	33	29	25	20	16	12	7	3			
HP	PSI	20	40	60	80	100	120	140	160	180	200	220	240	260	280	300	320	340	
5	0	145	135	125	120	110	105	95	85	80	70	55	45	30	10				
	10	135	125	115	110	100	95	85	75	65	55	40	25	10					
	20	125	115	110	100	95	85	75	65	55	40	25	5						
	30	115	105	100	90	85	75	65	50	40	20	5							
	40	105	100	90	80	70	60	50	35	20									
	50	95	90	80	70	60	45	35	15										
	60	90	80	70	60	45	30	15											
	70	80	70	55	45	30	10												
	80	65	55	40	25	5													
90	50	40	25	5															
100	35	20																	
Shut-off PSI		115	106	97	89	80	71	63	54	45	37	28	19	11	2				
HP	PSI	20	50	80	110	140	170	200	230	260	290	320	350	380	410	440	470	500	
7-1/2	0	140	135	125	115	110	100	95	85	75	65	55	45	30	15				
	20	130	120	110	105	95	90	80	70	60	50	35	20	5					
	30	120	115	105	100	90	85	75	65	55	40	25	10						
	40	115	110	100	95	85	75	65	55	45	30	10							
	50	110	105	95	85	80	70	60	45	30	15								
	60	105	95	90	80	70	60	50	35	20	5								
	80	95	85	75	65	55	40	25	10										
	100	80	70	60	50	35	20												
	120	65	55	40	25	10													
	140	45	35	20															
	160	25	10																
Shut-off PSI		175	162	149	136	123	110	97	84	71	58	45	32	19	6				

4" Submersible Pump

Legend 35-90 GPM

Stainless Steel Units Ordering Information

1 - 10 HORSEPOWER 4" PUMP ENDS								
GPM	HP	Stages	Volts	Ordering Info.		Dimensions		Wt.
				Model No.	Order No.	Shell	PEA	
35	1	6	230	L4D35X6	93443506	11.10	15.00	9
	1-1/2	8	230	L4D35X8	93443508	13.60	17.50	10
	2	10	230	L4D35X10	93443510	16.10	20.00	11
	3	14	230	L4D35X14	93443514	21.10	25.00	13
	5	22	230	L4D35X22	93443522	31.10	35.00	17
45	1-1/2	6	230	L4D45X6	93444506	17.10	21.00	15
	2	8	230	L4D45X8	93444508	21.60	25.50	16
	3	11	230	L4D45X11	93444511	28.35	32.25	19
	5	18	230	L4D45X18	93444518	43.85	47.75	25
	7-1/2	26	230	L4D45X26	93444526	61.35	65.25	33
60	2	6	230	L4D60X6	93446006	17.10	21.00	15
	3	8	230	L4D60X8	93446008	21.60	25.50	17
	5	13	230	L4D60X13	93446013	32.85	36.75	21
	7-1/2	17	230	L4D60X17	93446017	41.35	45.25	25
	10	24	230	L4D60X24	93446024	57.10	61.00	31
90	2	5	230	L4D90X5	93449005	18.66	22.56	15
	3	7	230	L4D90X7	93449007	24.66	28.56	17
	5	12	230	L4D90X12	93449012	39.66	43.56	21
	7-1/2	19	230	L4D90X19	93449019	60.60	64.50	27

Note: All dimensions are in inches. Discharge is 2" NPT. Maximum diameter across cable guard is 3.90" on all models. Weight in pounds.

1 - 2 HORSEPOWER SINGLE PHASE UNITS									
GPM	HP	Stages	Volts	2 WIRE			3 WIRE		
				Model No.	Order No.	Wt.	Model No.	Order No.	Wt.
35	1	6	230	T1L4D35X6-S2	93443606	33	1L4D35X6-S2	93443706	33
	1-1/2	8	230	T15L4D35X8-S2	93443608	41	15L4D35X8-S2	93443708	39
	2	10	230	This rating not available in 2-wire			20L4D35X10-S2	93443610	43
45	1-1/2	6	230	T15F4P45X6-S2	93444606	46	15L4D45X6-S2	93444706	44
	2	8	230	This rating not available in 2-wire			20L4D45X8-S2	93444608	48
60	2	6	230	This rating not available in 2-wire			20L4D60X6-S2	93446106	47
90	2	5	230	This rating not available in 2-wire			20L4D90X5-S2	93449105	47

Notes: All listed above have 2" NPT discharge. Order check valve separately.
Pump and motor will be individually cartoned and require assembly.



High Capacity 50 and 75 GPM Models



Features:

- Heavy-duty stainless steel discharge head and motor bracket.
- Stainless steel shaft, shell, intake screen and cable shield for corrosion resistance and longer life.
- Stainless steel wear ring and Urethane floating eye seal for improved performance and efficiency.
- Glass-filled Noryl impeller stage assemblies for incredible strength and durability.
- Ceramic shaft sleeve and rubber discharge bearing minimizes bearing wear and shaft misalignment without affecting pump efficiency.
- 3" NPT tapping in heavy-duty stainless steel discharge head.
- NEW fastener kit supplied for both 4" and 6" motors.
- Enables 5 - 10 HP units to be mounted to either a 4" or 6" submersible motor.
- One year unconditional warranty against failure from sand locking in abrasive well conditions.

Model Number Explanation

Example: 15L6D50X4-S2

15 = 1-1/2 HP

L = Legend

6 } = 6" Submersible

D } =

50 = 50 GPM

X = Stainless Steel

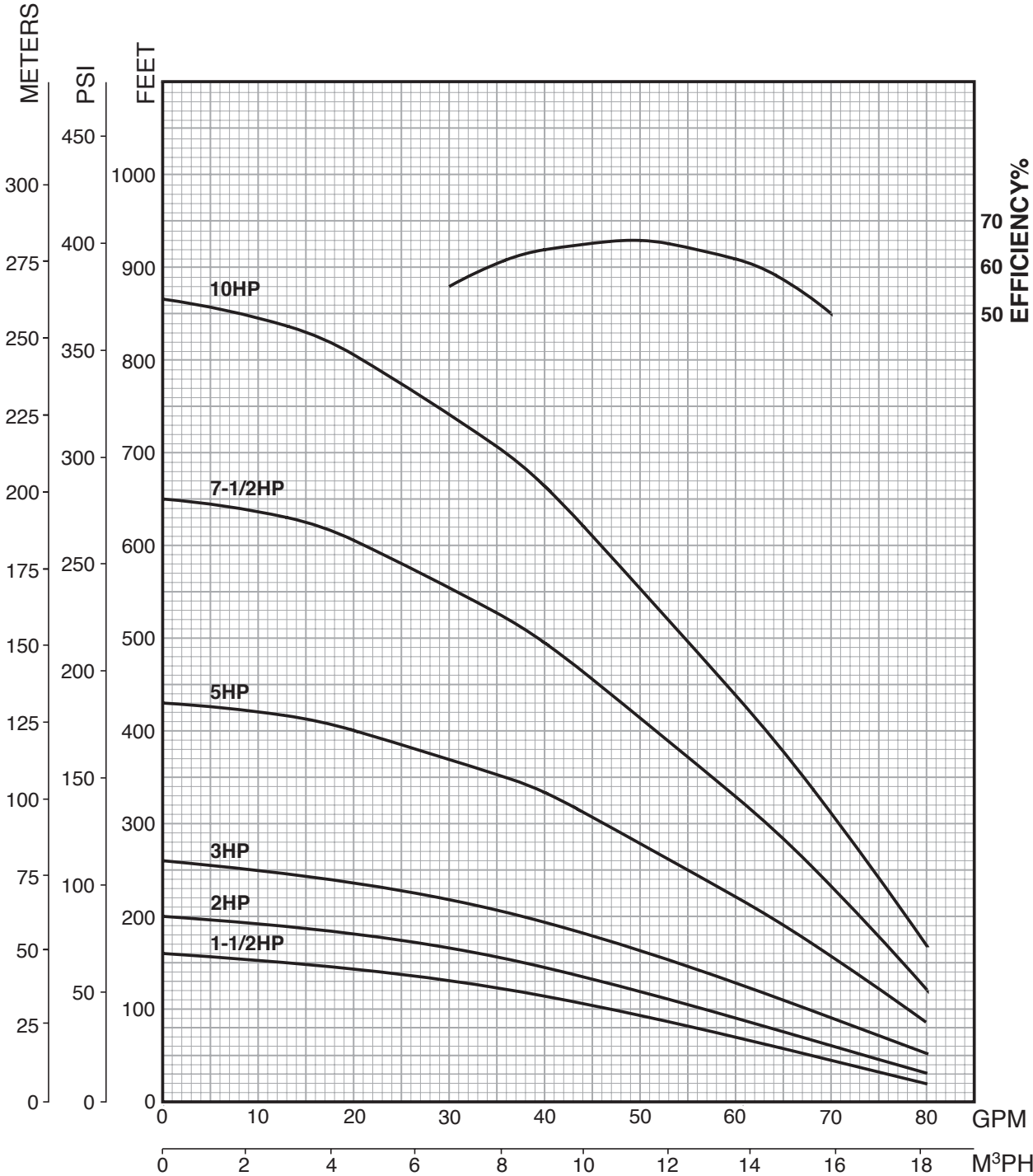
4 = 4 Stages

S = Single Phase

2 = 230V

6" Submersible Pump

Legend High Capacity 50 GPM Performance Curves



6" Submersible Pump

Legend High Capacity 50 GPM Performance Charts

Capacities in U.S. Gallons per Minute

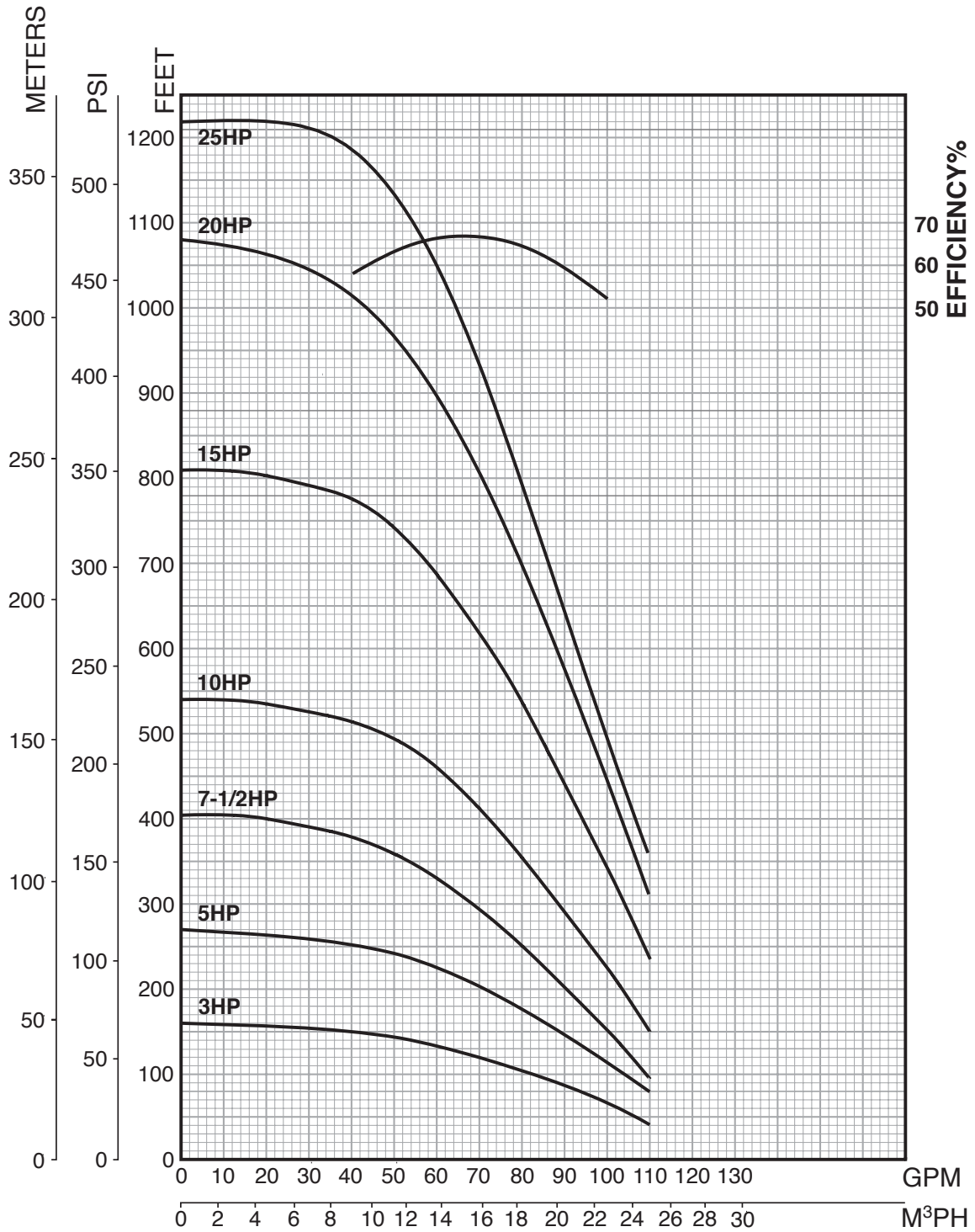
HP	PSI	DEPTH TO PUMPING WATER LEVEL, OR LIFT, IN FEET																								
		40	60	80	100	120	140	160	180	200	250	300	350	400	450	500	550	600	650	700	750	800				
1-1/2	0	73	65	57	48	39	26																		Shut-off 158 ft.	
	20	54	46	36	20																					
	30	45	34	18																						
	40	32	13																							
	50																									
2	0	75	69	63	57	50	43	34	23																Shut-off 198 ft.	
	20	62	55	48	41	32	18																			
	30	54	47	39	30	15																				
	40	46	38	28																						
	50	37	26																							
3	0	-	78	73	68	63	58	52	46	40	13														Shut-off 260 ft.	
	20	71	66	61	56	50	44	37	29	16																
	30	66	61	55	49	43	36	27	14																	
	40	60	54	48	42	35	25																			
	50	53	47	41	34	23																				
5	0	-	0	0	78	75	72	69	66	63	55	46	36	21											Shut-off 434 ft.	
	20	-	-	74	71	68	65	62	59	56	47	37	23													
	40	73	70	67	64	61	58	54	51	47	48	24														
	50	70	67	64	61	57	54	51	47	43	32															
	60	66	65	61	57	54	50	47	43	39	25															
7-1/2	0	-	-	-	-	-	79	77	75	73	68	63	58	52	46	40	31	21							Shut-off 650 ft.	
	20	-	-	-	-	-	74	72	70	68	63	58	53	47	40	33	22									
	30	-	-	-	-	74	72	70	68	66	61	56	50	44	37	28										
	40	-	-	-	74	72	70	68	66	64	59	53	47	41	33	23										
	50	-	-	73	71	69	68	66	64	62	56	51	45	38	29	16										
10	0	-	-	-	-	-	-	-	-	78	74	70	67	63	59	55	51	46	41	36	30	21			Shut-off 865 ft.	
	20	-	-	-	-	-	-	-	-	74	71	67	63	59	55	51	47	42	36	30	22	8				
	30	-	-	-	-	-	-	-	74	73	69	65	61	57	53	49	44	39	34	27	17					
	40	-	-	-	-	-	-	74	72	71	67	63	59	55	51	47	42	37	30	22						
	50	-	-	-	-	75	73	72	70	69	65	61	57	53	49	45	40	34	27	18						
10	60	-	-	-	-	74	72	71	69	67	63	59	55	51	47	43	37	31	12							

Discharge tapping 3" FNPT.

- Notes: 1. Performance shown does not include friction loss in the drop pipe.
 2. All performance data is based on rated motor nameplate voltage.

6" Submersible Pump

Legend High Capacity 75 GPM Performance Curves



6" Submersible Pump

Legend High Capacity 75 GPM Performance Charts

Capacities in U.S. Gallons per Minute

HP	PSI	DEPTH TO PUMPING WATER LEVEL, OR LIFT, IN FEET																				Shut-off					
		SHADED AREAS INDICATE MOST EFFICIENT PERFORMANCE																									
		40	60	80	100	120	140	160	180	200	250	300	350	400	450	500	550	600	650	700	750		800	850	900	950	1000
3	0	110	104	94	84	72	57	25																			161 ft.
	20	92	80	68	52																						
	30	78	65	48																							
	40	63	44																								
	50	39																									
5	0	-	115	109	104	98	92	86	79	72	49																253 ft.
	20	107	102	96	90	84	77	70	62																		
	30	101	95	89	83	76	69	60																			
	40	94	88	82	75	68	59																				
	50	87	80	73	66	57																					
	60	80	72	65	55																						
7-1/2	0	-	-	110	108	105	101	98	94	90	80	68	54	20													404 ft.
	20	110	108	104	100	96	93	89	85	81	69	56	28														
	30	107	104	100	96	92	88	84	80	76	64	48															
	40	103	99	95	91	88	84	79	75	70	57	33															
	50	99	95	91	87	83	79	74	70	65	49																
	60	94	90	87	82	78	74	69	64	58	36																
10	0	-	-	-	-	-	-	109	107	104	96	89	81	72	62	47											540 ft.
	20	-	-	-	110	108	106	103	100	97	89	82	73	63	49												
	30	-	-	110	108	105	103	100	97	94	86	78	68	57	38												
	40	-	110	108	105	102	99	96	93	90	82	73	64	50													
	50	110	107	105	102	99	96	93	90	86	78	69	58	40													
	60	107	104	101	98	95	92	89	86	83	74	64	52														
15	0	-	-	-	-	-	-	-	-	109	104	99	94	89	84	78	72	66	58	48	26						810 ft.
	20	-	-	-	-	-	-	-	109	104	100	95	90	84	79	73	66	58	48	29							
	30	-	-	-	-	-	-	-	107	102	97	92	87	82	76	70	63	54	41								
	40	-	-	-	-	-	-	-	105	100	95	90	85	79	73	67	59	50	32								
	50	-	-	-	-	-	-	-	103	98	93	87	82	76	70	63	55	43									
	60	-	-	-	-	-	-	-	100	95	90	85	80	74	67	60	50	33									
20	0	-	-	-	-	-	-	-	-	110	107	104	100	97	93	89	85	81	77	72	67	62	56	48		1080 ft.	
	20	-	-	-	-	-	-	-	-	108	104	100	97	93	89	86	81	77	72	67	62	56	48	38			
	30	-	-	-	-	-	-	-	-	110	106	103	99	95	91	88	84	79	75	70	65	60	53	44	24		
	40	-	-	-	-	-	-	-	-	108	105	101	97	93	90	86	82	77	73	68	63	57	50	39			
	50	-	-	-	-	-	-	-	110	106	103	99	95	92	88	84	80	75	71	66	60	55	45	26			
	60	-	-	-	-	-	-	-	108	105	101	98	94	90	86	82	78	73	69	63	57	53		40			
25	0	-	-	106	103	99	96	93	89	86	83	79	76	72	68	64	60	54	47	36						1220 ft.	
	20	-	106	103	99	96	93	89	86	83	79	76	72	68	64	60	54	48	36								
	30	108	105	102	98	94	92	88	85	81	78	75	70	66	62	58	52	44	24								
	40	106	103	100	96	92	89	86	83	79	76	72	68	64	60	54	48	38									
	50	105	101	98	95	91	88	85	81	78	75	71	67	63	58	52	44	26									
	60	103	100	96	93	90	86	83	79	76	73	69	65	61	56	49	39										

Discharge tapping 3" FNPT.

- Notes: 1. Performance shown does not include friction loss in the drop pipe.
 2. All performance data is based on rated motor nameplate voltage.

6" Submersible Pump

Legend 50-75 GPM

Stainless Steel Ordering Information

1-1/2 - 25 HP 6" PUMP ENDS								
GPM	HP	Stages	Motor Fit	Ordering Info.		Dimensions		Wt.
				Model No.	Order No.	Shell	PEA	
50	1-1/2	4	4"	L6D50X4	93455004	8.57	14.69	32
	2	5	4"	L6D50X5	93455005	10.88	17.00	32
	3	6	4"	L6D50X6	93455006	12.51	18.63	33
	5	10	4"& 6"	L6D50X10	93455010	18.94	25.06	39
	7-1/2	15	4"& 6"	L6D50X15	93455015	26.88	33.00	46
	10	20	4"& 6"	L6D50X20	93455020	35.07	41.19	52
75	3	3	4"	L6D75X3	93457503	7.57	13.69	32
	5	5	4"& 6"	L6D75X5	93457505	10.88	17.00	32
	7-1/2	8	4"& 6"	L6D75X8	93457508	15.69	21.81	36
	10	10	4"& 6"	L6D75X10	93457510	18.94	25.06	39
	15	15	6"	L6D75X15	93457515	26.88	33.00	46
	20	20	6"	L6D75X20	93457520	35.07	41.19	52
	25	24	6"	L6D75X24	93457524	41.57	47.69	57

Note: All dimensions are in inches. Discharge is 3" NPT. Maximum diameter across cable guard is 5.5" on all models. Weight in pounds.



Features:

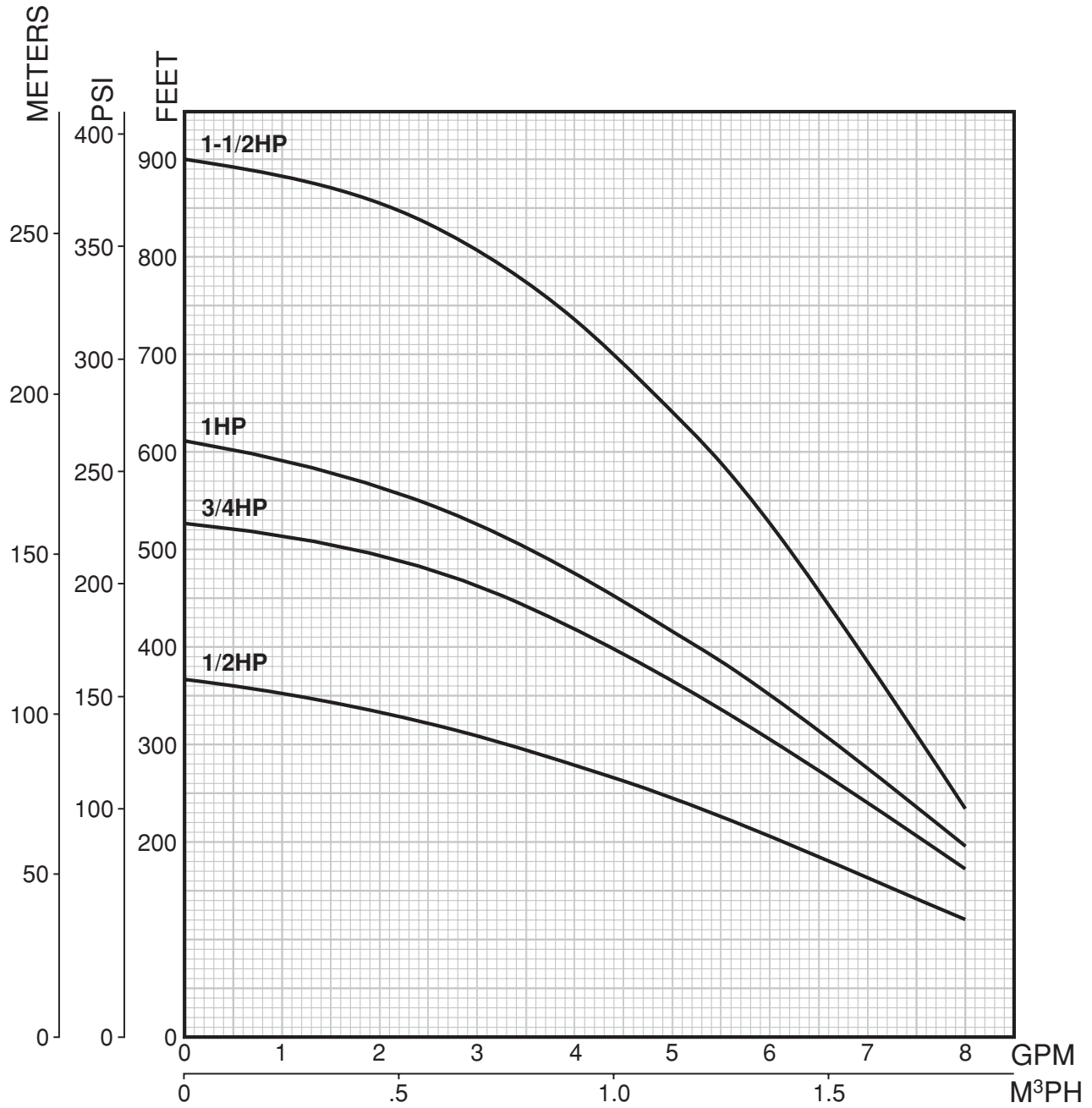
- Available with thermoplastic discharge and motor bracket or stainless steel discharge and motor bracket.
- Ceramic bearing sleeve has proven its durability with years of flawless performance in our SandHandler™ submersible.
- Hex rubber bearing has an extra large surface to assure shaft stability and multiple flow channels to keep small particulates away from bearing surfaces.
- Celcon® disk allows for close tolerances for increased performance.
- Stainless steel upthrust washer prevents excessive wear in severe applications.
- Built-in Flomatic check valve keeps water in your system at all times.
- Removable suction screen on both thermoplastic and stainless steel units prevents debris from clogging impellers and provides full flow performance.
- Stainless steel shaft features high quality, premium materials at a competitive price.
- Powered by Franklin corrosion resistant motors.



NRTL/C
CSA 108
UL 778

4" Submersible Pump

Legacy 5 GPM Performance Curves



4" Submersible Pump

Legacy 5 GPM Performance Charts

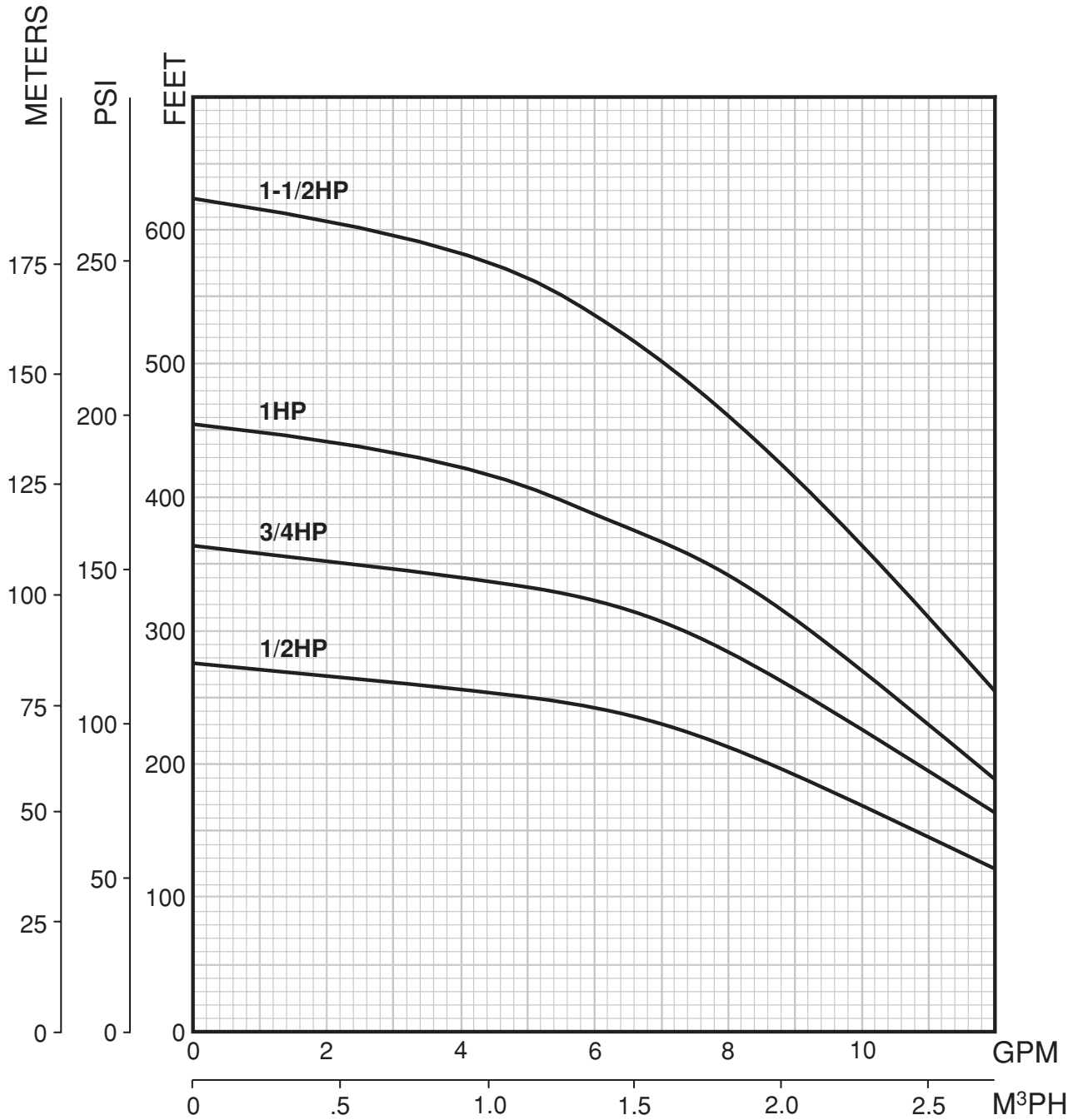
Capacities in U.S. Gallons per Minute

HP	PSI	DEPTH TO PUMPING WATER LEVEL, OR LIFT, IN FEET																							
		20	40	60	80	100	120	140	160	180	200	240	260	300	340	360	400	440	480	500	600	700	800	900	1000
1/2	0	-	-	-	-	-	8	7	7	6	6	5	4	3											
	20	-	-	-	7	7	6	6	5	5	4	3	3	2											
	30	-	-	7	7	6	6	5	5	4	4	3	2												
	40	-	7	7	6	6	5	5	4	4	3	2													
	50	7	7	6	6	5	5	4	4	3	2														
	60	7	6	6	5	5	4	4	3	2															
	80	6	5	5	4	4	3	2	1																
Shut-off PSI		149	140	131	122	114	105	96	88	79	70	53	45	27											
3/4	0	-	-	-	-	-	-	-	-	7	7	7	6	6	5	5	4	3							
	20	-	-	-	-	-	-	7	7	7	6	6	6	5	4	4	3	2							
	30	-	-	-	-	8	7	7	7	6	6	6	5	5	4	4	2								
	40	-	-	-	8	7	7	7	6	6	6	5	5	4	3	3									
	50	-	-	7	7	7	6	6	6	6	5	5	5	4	3	2									
	60	7	7	7	7	6	6	6	6	5	5	5	4	3	2										
	80	7	7	6	6	6	6	5	5	5	4	4	3	3											
Shut-off PSI		220	211	203	194	185	177	168	159	151	142	125	116	99	81	73	55	38							
1	0	-	-	-	-	-	-	-	-	-	8	7	7	6	6	6	5	5	4	4					
	20	-	-	-	-	-	-	-	7	7	7	6	6	6	5	5	5	4	3	2					
	30	-	-	-	-	-	-	7	7	7	7	6	6	5	5	5	4	3	2	2					
	40	-	-	-	-	-	7	7	6	6	6	6	5	5	4	4	3	2	1						
	50	-	-	-	-	7	7	7	6	6	6	6	5	5	4	4	3	2	1						
	60	-	-	-	7	7	7	6	6	6	6	5	5	5	4	4	3	1							
	80	7	7	7	7	6	6	6	6	6	5	5	5	4	3	3	2								
Shut-off PSI		257	248	239	231	222	213	205	196	187	179	161	153	135	118	109	92	75	58	49					
1-1/2	0	-	-	-	-	-	-	-	-	-	-	-	-	7	7	7	6	6	6	6	5	3			
	20	-	-	-	-	-	-	-	-	-	-	7	7	7	7	6	6	6	5	5	4	3			
	30	-	-	-	-	-	-	-	-	-	-	7	7	7	7	6	6	6	6	5	5	4			
	40	-	-	-	-	-	-	-	-	7	7	7	7	6	6	6	6	6	5	5	4				
	50	-	-	-	-	-	-	-	7	7	7	7	7	6	6	6	5	5	5	4	3				
	60	-	-	-	-	-	7	7	7	7	7	6	6	6	6	5	5	4	4	3					
	80	-	-	-	-	7	7	7	7	7	6	6	6	6	5	5	4	4	3						
Shut-off PSI		351	343	334	325	317	308	300	291	282	274	256	248	230	213	204	187	170	152	144	100	57			

- Notes: 1. Performance shown does not include friction loss in the drop pipe.
 2. All performance data is based on rated motor nameplate voltage.

4" Submersible Pump

Legacy 8 GPM Performance Curves



4" Submersible Pump

Legacy 8 GPM Performance Charts

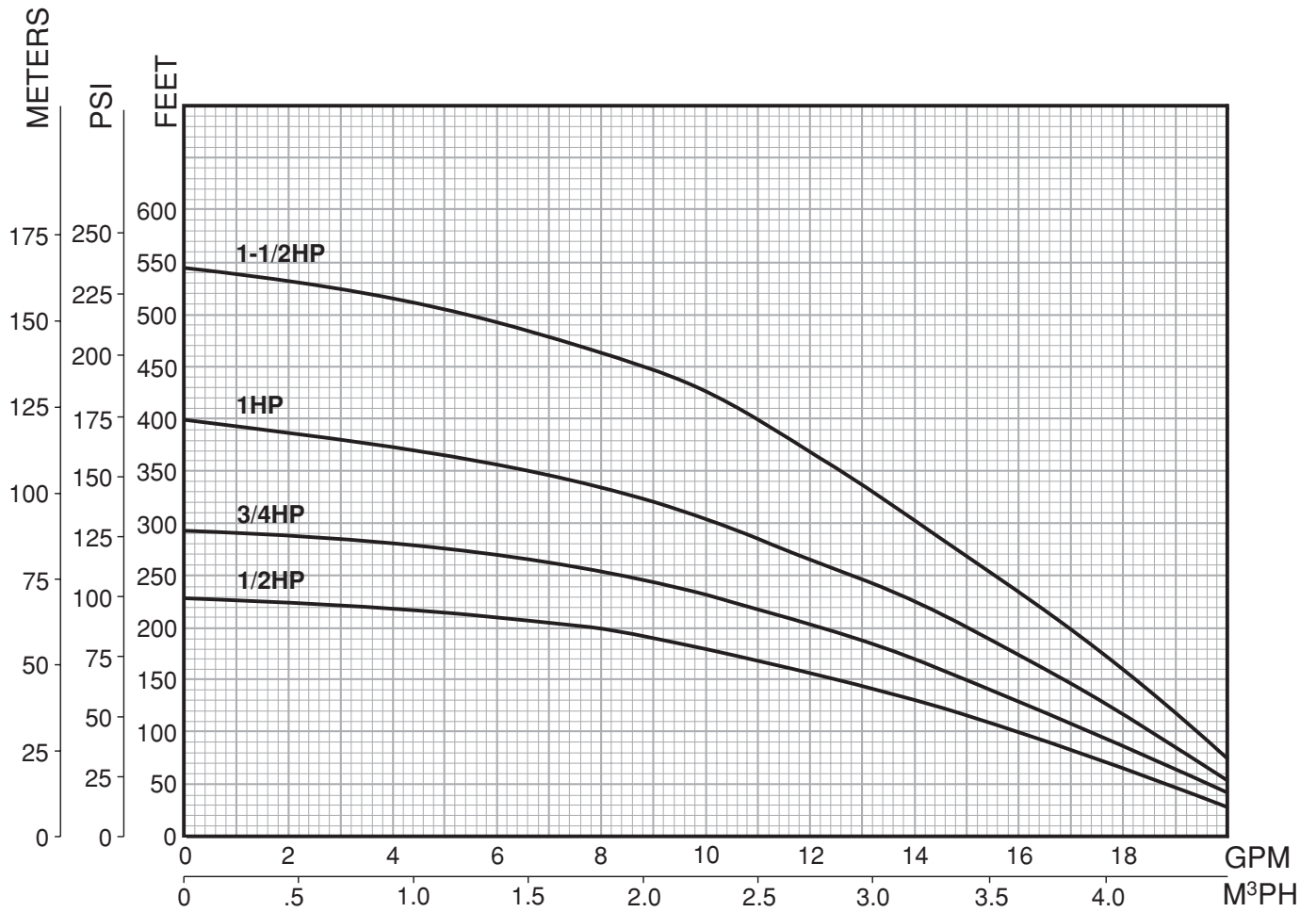
Capacities in U.S. Gallons per Minute

HP	PSI	DEPTH TO PUMPING WATER LEVEL, OR LIFT, IN FEET																		
		20	40	60	80	100	140	180	200	240	280	300	340	380	400	440	480	500	600	
1/2	0	-	-	-	-	-	11	10	9	6										
	10	-	-	-	-	12	10	9	7	3										
	20	-	-	-	12	11	9	7	5											
	30	-	-	12	11	10	8	5	2											
	40	-	11	10	10	9	7	1												
	50	11	10	10	9	8	4													
	60	10	10	9	8	6														
	70	10	9	8	6	3														
	80	9	7	5	2															
Shut-off PSI		110	102	93	84	76	58	41	32	15										
3/4	0	-	-	-	-	-	11	10	10	9	8	4								
	10	-	-	-	-	-	12	10	10	9	7	6								
	20	-	-	-	-	-	11	10	9	8	5	3								
	30	-	-	-	-	12	10	9	9	7	2									
	40	-	-	-	12	11	10	9	8	5										
	50	-	-	11	11	10	9	8	6	1										
	60	12	11	10	10	10	9	6	4											
	70	11	10	10	10	9	7	4												
	80	10	10	9	9	8	6													
Shut-off PSI		149	140	132	123	114	97	80	71	54	36	28	10							
1	0	-	-	-	-	-	-	12	10	10	9	8	7	5	2					
	10	-	-	-	-	-	-	11	11	10	9	9	7	5	4					
	20	-	-	-	-	-	-	11	10	9	9	8	6	3	1					
	30	-	-	-	-	-	11	10	10	9	8	7	5	1						
	40	-	-	-	-	12	11	10	9	8	7	6	3							
	50	-	-	-	12	11	10	9	9	8	6	4								
	60	-	-	12	11	10	10	9	8	7	4	2								
	70	-	12	11	10	10	9	8	7	5	2									
	80	11	11	10	10	10	9	7	6	3										
Shut-off PSI		188	180	171	162	154	136	119	110	93	76	67	50	32	24	6				
1-1/2	0	-	-	-	-	-	-	-	-	11	11	10	9	9	9	8	7	2		
	10	-	-	-	-	-	-	-	-	12	11	10	10	9	9	8	7	7		
	20	-	-	-	-	-	-	-	-	11	10	10	9	9	9	8	6	6		
	30	-	-	-	-	-	-	-	12	11	10	10	9	9	8	7	5	4		
	40	-	-	-	-	-	11	11	10	10	9	9	8	8	6	4	3			
	50	-	-	-	-	-	11	10	10	9	9	8	8	7	5	3	1			
	60	-	-	-	-	-	11	10	10	10	9	9	8	7	6	4	1			
	70	-	-	-	-	12	11	10	10	9	9	8	7	6	5	2				
	80	-	-	-	12	11	10	10	9	9	8	8	7	5	3					
Shut-off PSI		-	-	-	236	227	210	193	184	167	149	141	123	106	97	80	63	54	11	

Notes: 1. Performance shown does not include friction loss in the drop pipe.
 2. All performance data is based on rated motor nameplate voltage.

4" Submersible Pump

Legacy 12 GPM Performance Curves



4" Submersible Pump

Legacy 12 GPM Performance Charts

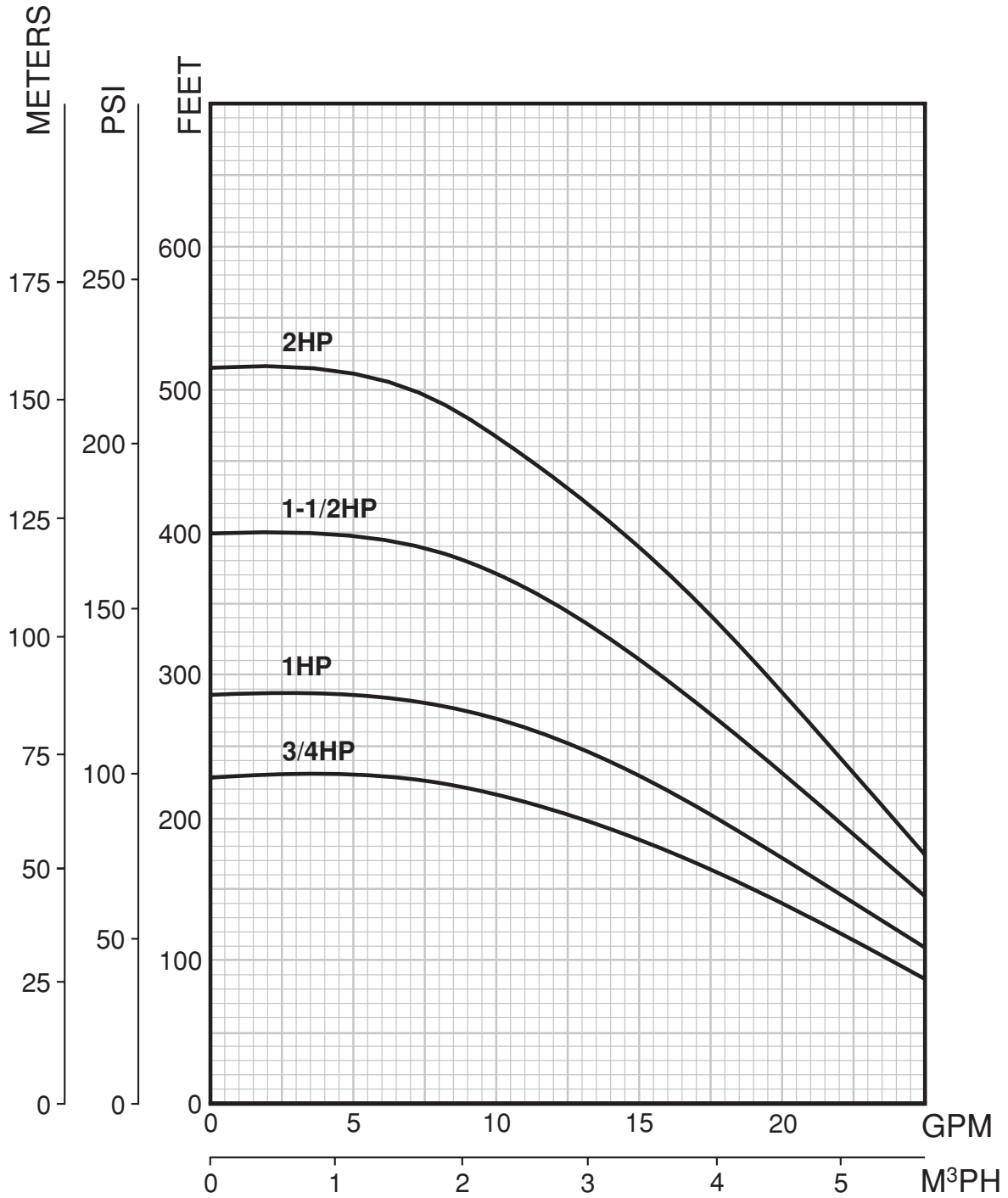
Capacities in U.S. Gallons per Minute

HP	PSI	DEPTH TO PUMPING WATER LEVEL, OR LIFT, IN FEET																	
		20	40	60	80	100	140	180	200	240	280	300	340	380	400	440	480	500	
1/2	0	-	19	18	17	16	14	12	7										Shut-off 231 ft.
	10	19	18	17	16	15	12	7	2										
	20	18	16	16	15	13	9	2											
	30	16	15	14	13	11	5												
	40	15	14	13	11	8													
	50	14	13	11	8	4													
	60	12	10	7	3														
	70	10	7	3															
80	6	2																	
Shut-off PSI		91	82	74	65	56	39	22	13										
3/4	0	-	20	19	18	17	15	14	13	9	3								Shut-off 291 ft.
	10	20	19	18	17	16	15	13	11	6									
	20	18	17	17	16	15	14	11	8	2									
	30	17	17	16	15	14	12	8	5										
	40	16	16	15	14	13	10	5	1										
	50	16	15	14	13	12	7												
	60	15	14	13	11	9	4												
	70	14	13	11	9	6													
80	12	11	9	6	3														
Shut-off PSI		118	109	100	92	83	66	48	40	23	5								
1	0	-	-	20	19	18	17	16	15	14	12	10	7	3					Shut-off 399 ft.
	10	-	20	19	18	17	16	15	14	12	10	9	5						
	20	20	19	18	17	17	16	14	13	11	8	7	2						
	30	19	18	17	17	16	15	13	1	10	6	4							
	40	18	17	17	16	15	14	12	11	8	4	1							
	50	17	16	16	15	15	13	11	9	6	1								
	60	16	16	15	14	14	12	9	7	3									
	70	16	15	14	13	13	10	7	5										
80	15	14	13	12	11	8	5	2											
Shut-off PSI		165	156	147	139	130	113	95	87	69	52	43	26	9					
1-1/2	0	-	-	-	20	19	18	17	17	16	15	14	13	12	11	9	7	5	Shut-off 545 ft.
	10	-	-	20	19	18	17	16	16	15	14	14	13	11	10	8	5	3	
	20	-	20	19	18	18	17	16	16	15	14	13	12	10	9	6	3		
	30	20	19	18	18	17	16	16	15	14	13	12	11	9	7	4			
	40	19	18	18	17	17	16	15	15	14	12	12	10	7	6	2			
	50	18	18	17	17	16	15	15	14	13	11	10	8	5	4				
	60	17	17	17	16	16	15	14	13	12	10	9	7	3	1				
	70	17	16	16	16	15	14	13	13	11	9	8	5	1					
80	16	16	16	15	15	14	13	12	10	8	6	3							
Shut-off PSI		227	219	210	201	193	175	158	149	132	115	106	89	71	68	45	28	19	

Notes: 1. Performance shown does not include friction loss in the drop pipe.
 2. All performance data is based on rated motor nameplate voltage.

4" Submersible Pump

Legacy 16 GPM Performance Curves



4" Submersible Pump

Legacy 16 GPM Performance Charts

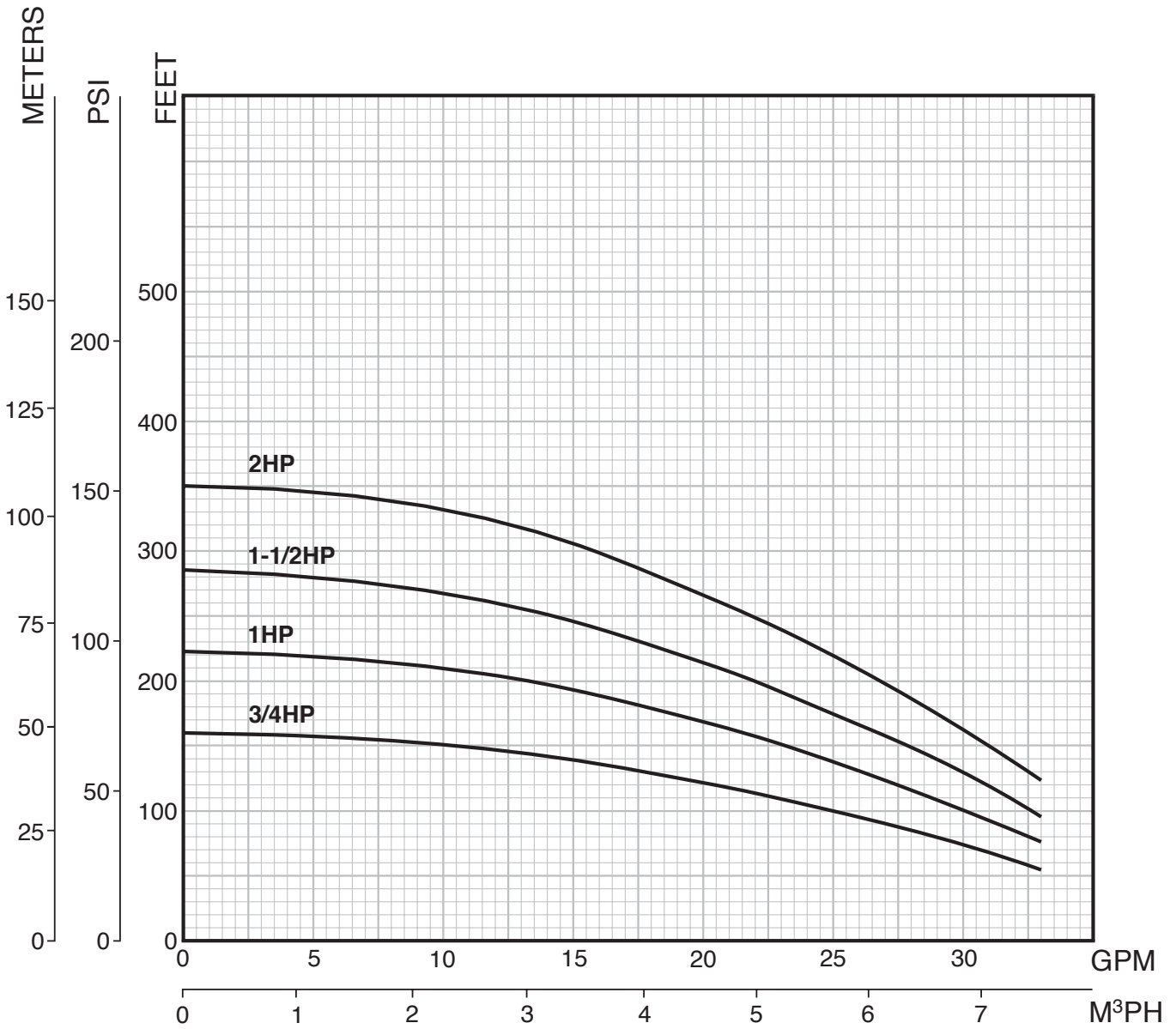
Capacities in U.S. Gallons per Minute

HP	PSI	DEPTH TO PUMPING WATER LEVEL, OR LIFT, IN FEET																	
		20	40	60	80	100	140	180	200	240	280	300	340	380	400	440	480	500	
3/4	0	-	-	-	-	23	20	17	13										Shut-off 231 ft.
	10	-	-	-	22	21	18	12	6										
	20	-	-	22	20	19	16	5											
	30	25	22	20	19	18	11												
	40	21	20	19	17	15	2												
	50	20	19	17	14	9													
	60	19	17	13	8														
	70	16	13	6															
	80	12	5																
Shut-off PSI		91	82	74	65	56	39	22	13										
1	0	-	-	-	-	-	21	19	18	15	5								Shut-off 284 ft.
	10	-	-	-	-	23	20	18	17	10									
	20	-	-	-	23	21	19	16	14	3									
	30	-	-	22	21	20	18	13	9										
	40	25	22	20	20	19	16	8	1										
	50	22	20	19	19	17	12												
	60	20	19	18	17	15	6												
	70	19	18	17	14	11													
	80	18	17	14	10	4													
Shut-off PSI		115	106	97	89	80	63	45	37	19	2								
1-1/2	0	-	-	-	-	-	-	22	21	19	18	17	14	7					Shut-off 399 ft.
	10	-	-	-	-	-	23	21	20	18	17	15	10	1					
	20	-	-	-	-	-	21	20	19	17	15	13	6						
	30	-	-	-	25	23	20	19	18	16	13	9							
	40	-	-	24	22	21	19	18	17	14	8	4							
	50	-	24	22	21	19	18	17	16	11	3								
	60	24	22	21	20	19	18	15	13	7									
	70	22	21	20	19	18	17	13	10	2									
	80	20	20	19	18	18	15	10	6										
Shut-off PSI		165	156	147	139	130	113	95	87	69	52	43	26	9					
2	0	-	-	-	-	-	-	25	23	21	20	19	18	16	15	12	8	5	Shut-off 515 ft.
	10	-	-	-	-	-	-	23	22	20	19	19	17	15	14	10	4	1	
	20	-	-	-	-	-	24	22	21	20	18	18	16	13	12	7			
	30	-	-	-	-	-	23	21	20	19	18	17	15	11	9	3			
	40	-	-	-	-	24	21	20	19	18	17	16	13	9	6				
	50	-	-	-	24	22	21	19	19	17	16	14	11	5	2				
	60	-	25	23	22	21	20	19	18	16	14	12	8	1					
	70	25	23	22	21	20	19	18	17	15	12	10	4						
	80	23	22	21	20	20	18	17	16	14	10	7							
Shut-off PSI		214	206	197	188	180	162	145	136	119	102	93	76	58	50	32	15	6	

Notes: 1. Performance shown does not include friction loss in the drop pipe.
 2. All performance data is based on rated motor nameplate voltage.

4" Submersible Pump

Legacy 22 GPM Performance Curves



4" Submersible Pump

Legacy 22 GPM Performance Charts

Capacities in U.S. Gallons per Minute

HP	PSI	DEPTH TO PUMPING WATER LEVEL, OR LIFT, IN FEET																	
		20	40	60	80	100	140	180	200	240	280	300	340	380	400	440	480	500	
3/4	0	-	-	-	29	25	14												Shut-off 159 ft.
	10	-	32	28	25	21													
	20	32	28	24	20	11													
	30	27	24	19	9														
	40	23	18	7															
	50	16	5																
	60	3																	
	70																		
	80																		
Shut-off PSI		61	52	43	35	26	9												
1	0	-	-	-	-	30	25	19	13										Shut-off 221 ft.
	10	-	-	33	29	27	23	12	2										
	20	-	32	29	27	25	18												
	30	31	28	26	24	22	9												
	40	28	26	24	21	16													
	50	26	24	20	15	6													
	60	23	20	14	4														
	70	19	12	3															
	80	11	1																
Shut-off PSI		87	79	70	61	53	35	18	10										
1-1/2	0	-	-	-	-	-	28	25	23	16	4								Shut-off 288 ft.
	10	-	-	-	33	30	26	23	20	10									
	20	-	-	32	30	28	24	19	15	2									
	30	-	32	29	28	26	22	14	8										
	40	31	29	27	26	24	18	7											
	50	29	27	25	23	21	13												
	60	27	25	23	20	17	5												
	70	25	23	20	16	11													
	80	22	19	15	10	2													
Shut-off PSI		116	107	99	90	81	64	47	38	21	3								
2	0	-	-	-	-	-	32	28	27	24	20	16	6						Shut-off 351 ft.
	10	-	-	-	-	-	29	26	25	22	16	11							
	20	-	-	-	-	31	28	25	24	19	10	3							
	30	-	-	-	31	29	26	23	21	17	2								
	40	-	33	30	28	27	25	21	18	8									
	50	32	30	28	27	26	23	17	13										
	60	30	28	27	26	24	20	12	6										
	70	28	27	25	24	22	16	5											
	80	26	25	24	22	19	10												
Shut-off PSI		143	134	126	117	108	91	74	65	48	30	22	4						

Notes: 1. Performance shown does not include friction loss in the drop pipe.
 2. All performance data is based on rated motor nameplate voltage.

4" Submersible Pump

Legacy 5-22 GPM

Thermoplastic Units Ordering Information

1/2 - 1-1/2 HORSEPOWER SINGLE PHASE UNITS									
GPM	HP	Stages	Volts	2 WIRE			3 WIRE		
				Model No.	Order No.	Wt.	Model No.	Order No.	Wt.
5	1/2	13	115	T5L4Y5P13-S1	93460513	26	5L4Y5P13-S1	93462513	25
	1/2	13	230	T5L4Y5P13-S2	93461513	26	5L4Y5P13-S2	93463513	25
	3/4	18	230	T7L4Y5P18-S2	93460518	29	7L4Y5P18-S2	93461518	30
	1	21	230	T1L4Y5P21-S2	93460521	33	1L4Y5P21-S2	93461521	34
	1-1/2	28	230	This rating not available in thermoplastic construction					
8	1/2	9	115	T5L4Y8P9-S1	93460809	24	5L4Y8P9-S1	93462809	24
	1/2	9	230	T5L4Y8P9-S2	93461809	24	5L4Y8P9-S2	93463809	24
	3/4	12	230	T7L4Y8P12-S2	93460812	28	7L4Y8P12-S2	93461812	28
	1	15	230	T1L4Y8P15-S2	93460815	33	1L4Y8P15-S2	93461815	33
	1-1/2	21	230	T15L4Y8P21-S2	93460821	42	15L4Y8P21-S2	93461821	42
12	1/2	7	115	T5L4Y12P7-S1	93460127	24	5L4Y12P7-S1	93463207	24
	1/2	7	230	T5L4Y12P7-S2	93461207	24	5L4Y12P7-S2	93464207	24
	3/4	9	230	T7L4Y12P9-S2	93460129	28	7L4Y12P9-S2	93461209	28
	1	12	230	T1L4Y12P12-S2	93461212	31	1L4Y12P12-S2	93462212	32
	1-1/2	17	230	T15L4Y12P17-S2	93461217	38	15L4Y12P17-S2	93462217	39
16	3/4	8	230	T7L4Y16P8-S2	93461608	28	7L4Y16P8-S2	93462608	27
	1	10	230	T1L4Y16P10-S2	93461610	31	1L4Y16P10-S2	93462610	30
	1-1/2	14	230	T15L4Y16P14-S2	93461614	40	15L4Y16P14-S2	93462614	39
	2	18	230	This rating not available in 2-wire			20L4Y16P18-S2	93461618	43
22	3/4	5	230	T7L4Y22P5-S2	93460225	27	7L4Y22P5-S2	93462205	27
	1	7	230	T1L4Y22P7-S2	93460227	30	1L4Y22P7-S2	93462207	33
	1-1/2	9	230	T15L4Y22P9-S2	93460229	40	15L4Y22P9-S2	93462209	39
	2	11	230	This rating not available in 2-wire			20L4Y22P11-S2	93462211	42

Note: All listed above have 1-1/4" NPT discharge and feature our removable Flomatic™ poppet assembly.

4" Submersible Pump

Legacy 5-22 GPM

Thermoplastic Pump Ends Ordering Information

THERMOPLASTIC 1/2 - 1-1/2 HP PUMP ENDS						
GPM	HP	Stages	Volts	Model No.	Order No.	Wt.
5	1/2	13	n.a.	L4Y5P13	93470513	8
	3/4	18	n.a.	L4Y5P18	93470518	10
	1	21	n.a.	L4Y5P21	93470521	11
8	1/2	9	n.a.	L4Y8P9	93470809	4
	3/4	12	n.a.	L4Y8P12	93470812	7
	1	15	n.a.	L4Y8P15	93470815	8
	1-1/2	21	n.a.	L4Y8P21	93470821	10
12	1/2	7	n.a.	L4Y12P7	93471207	6
	3/4	9	n.a.	L4Y12P9	93471209	7
	1	12	n.a.	L4Y12P12	93471212	8
	1-1/2	17	n.a.	L4Y12P17	93471217	12
16	3/4	8	n.a.	L4Y16P8	93471608	7
	1	10	n.a.	L4Y16P10	93471610	7
	1-1/2	14	n.a.	L4Y16P14	93471614	10
	2	18	230	L4Y16P18	93471618	11
22	3/4	5	n.a.	L4Y22P5	93472205	6
	1	7	n.a.	L4Y22P7	93472207	7
	1-1/2	9	n.a.	L4Y22P9	93472209	8
	2	11	230	L4Y22P11	93472211	10

Note: All listed above have 1-1/4" NPT discharge and feature our removable Flomatic™ poppet assembly.

4" Submersible Pump

Legacy 5-22 GPM

Stainless Steel Units Ordering Information

1/2 - 1-1/2 HORSEPOWER SINGLE PHASE UNITS									
GPM	HP	Stages	Volts	2 WIRE			3 WIRE		
				Model No.	Order No.	Wt.	Model No.	Order No.	Wt.
5	1/2	13	115	T5L4Y5X13-S1	93480513	26	5L4Y5X13-S1	93482513	25
	1/2	13	230	T5L4Y5X13-S2	93481513	26	5L4Y5X13-S2	93483513	25
	3/4	18	230	T7L4Y5X18-S2	93480518	29	7L4Y5X18-S2	93481518	30
	1	21	230	T1L4Y5X21-S2	93480521	33	1L4Y5X21-S2	93481521	34
	1-1/2	28	230	T15L4Y5X28-S2	93480528	43	15L4Y5X28-S2	93481528	44
8	1/2	9	115	T5L4Y8X9-S1	93480809	24	5L4Y8X9-S1	93482809	24
	1/2	9	230	T5L4Y8X9-S2	93481809	24	5L4Y8X9-S2	93483809	24
	3/4	12	230	T7L4Y8X12-S2	93480812	28	7L4Y8X12-S2	93481812	28
	1	15	230	T1L4Y8X15-S2	93480815	33	1L4Y8X15-S2	93481815	33
	1-1/2	21	230	T15L4Y8X21-S2	93480821	42	15L4Y8X21-S2	93481821	42
12	1/2	7	115	T5L4Y12X7-S1	93480127	24	5L4Y12X7-S1	93483207	24
	1/2	7	230	T5L4Y12X7-S2	93481207	24	5L4Y12X7-S2	93484207	24
	3/4	9	230	T7L4Y12X9-S2	93480129	28	7L4Y12X9-S2	93481209	28
	1	12	230	T1L4Y12X12-S2	93481212	31	1L4Y12X12-S2	93482212	32
	1-1/2	17	230	T15L4Y12X17-S2	93481217	38	15L4Y12X17-S2	93482217	39
16	3/4	8	230	T7L4Y16X8-S2	93481608	28	7L4Y16X8-S2	93482608	27
	1	10	230	T1L4Y16X10-S2	93481610	31	1L4Y16X10-S2	93482610	30
	1-1/2	14	230	T15L4Y16X14-S2	93481614	40	15L4Y16X14-S2	93482614	39
	2	18	230	This rating not available in 2-wire			20L4Y16X18-S2	93481618	43
22	3/4	5	230	T7L4Y22X5-S2	93480225	27	7L4Y22X5-S2	93482205	27
	1	7	230	T1L4Y22X7-S2	93480227	30	1L4Y22X7-S2	93482207	33
	1-1/2	9	230	T15L4Y22X9-S2	93480229	40	15L4Y22X9-S2	93482209	39
	2	11	230	This rating not available in 2-wire			20L4Y22X11-S2	93482211	42

Note: All listed above have 1-1/4" NPT discharge and feature our removable Flomatic™ poppet assembly.

4" Submersible Pump

Legacy 5-22 GPM

Stainless Steel Pump Ends Ordering Information

STAINLESS STEEL 1/2 - 2 HP PUMP ENDS						
GPM	HP	Stages	Volts	Model No.	Order No.	Wt.
5	1/2	13	n.a.	L4Y5X13	93490513	9
	3/4	18	n.a.	L4Y5X18	93490518	11
	1	21	n.a.	L4Y5X21	93490521	12
	1-1/2	28	n.a.	L4Y5X28	93490528	14
8	1/2	9	n.a.	L4Y8X9	93490809	5
	3/4	12	n.a.	L4Y8X12	93490812	8
	1	15	n.a.	L4Y8X15	93490815	9
	1-1/2	21	n.a.	L4Y8X21	93490821	11
12	1/2	7	n.a.	L4Y12X7	93491207	7
	3/4	9	n.a.	L4Y12X9	93491209	8
	1	12	n.a.	L4Y12X12	93491212	9
	1-1/2	17	n.a.	L4Y12X17	93491217	13
16	3/4	8	n.a.	L4Y16X8	93491608	8
	1	10	n.a.	L4Y16X10	93491610	8
	1-1/2	14	n.a.	L4Y16X14	93491614	11
	2	18	230	L4Y16X18	93491618	11
22	3/4	5	n.a.	L4Y22X5	93492205	7
	1	7	n.a.	L4Y22X7	93492207	8
	1-1/2	9	n.a.	L4Y22X9	93492209	9
	2	11	230	L4Y22X11	93492211	10

Note: All listed above have 1-1/4" NPT discharge and feature our removable Flomatic™ poppet assembly.

Submersible Accessories

Ordering Information



Check Valves



Poppet



Reducer Bushing



T-Handle Poppet Wrench

CHECK VALVES - SILICONE BRONZE

Description	Inlet	Outlet	Case Qty.	Order No.	Weight
Flomatic 4221LEB	1-1/4" MNPT	1" FNPT	36	91980631	1.25
Flomatic 4242LEB	1-1/4" MNPT	1-1/4" FNPT	36	91980649	1.75

CHECK VALVES - STAINLESS STEEL

Description	Inlet	Outlet	Case Qty.	Order No.	Weight
Flomatic #4221LSS2	1-1/4" MNPT	1" FNPT	49	91985317	1.4
Flomatic #4242SS2	1-1/4" MNPT	1-1/4" FNPT	49	91985309	1.5

CHECK VALVES - DUCTILE IRON

Description	Inlet	Outlet	Carton Qty.	Order No.	Weight
Simmons #658SB	2" MNPT	2" FNPT	1	91982157	3.5
Simmons #660SB	3" MNPT	3" FNPT	1	91981266	10
Simmons #661SB	4" MNPT	4" FNPT	1	91980334	21

FLOMATIC™ POPPET with JACUZZI® REMOVABLE RING (Patent Pending)

Description	Order No.	Weight
Flomatic™ Poppet with Jacuzzi Removable Ring (Patent Pending)	91985259R	0.1
T-Handle Poppet Wrench	23498207	1

REDUCER BUSHING

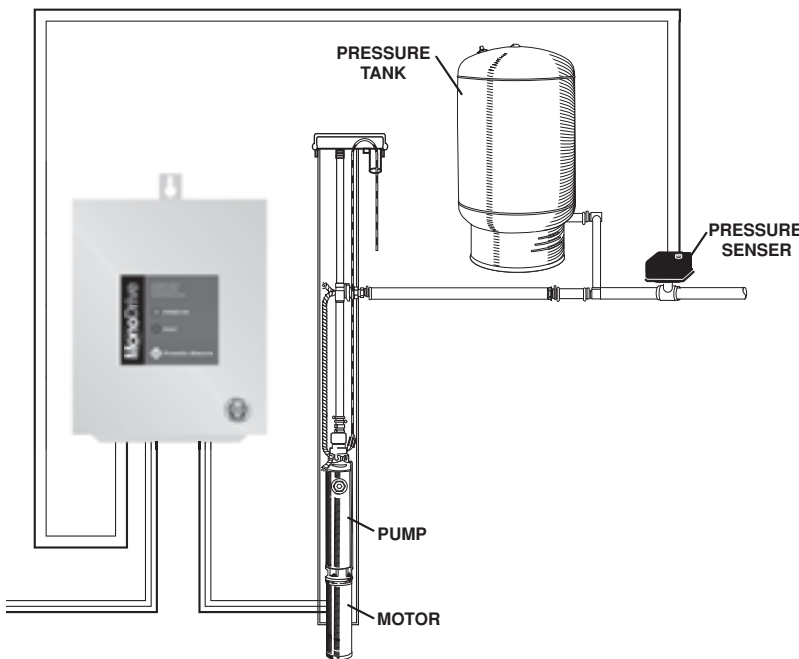
Description	Inlet	Outlet	PSI Rating	Order No.	Weight
White PVC Bushing	1-1/4" MNPT	1" FNPT	200 PSI	31031008R	0.2

Franklin Electric MonoDrive



Features:

- Eliminates pressure cycling during long running applications
- Easy Installation - Remove the 3 wire control box and install the MonoDrive
- Provides constant pressure by continually adjusting pump performance to meet water demand
- Built-in diagnostics
- Soft start feature prevents water hammer and reduces stress on motor.
- Can retrofit existing systems - no need to pull the pump.
- Select HP rating - 1/2, 3/4 and 1 HP.



Applications:

- **Residential Water Systems**
 - Constant water pressure
 - Smaller tank saves space
- **Geothermal Systems**
 - No need for large buried tanks
 - Eliminates pressure cycling
- **Lawn Irrigation Systems**
 - Even distribution of water in zones
 - Eliminates need for separate system
- **Water Treatment Systems**
 - More efficient back flushing
 - No need for multiple pumps

Description	Franklin Model	Order Number	Wt.
MonoDrive Controller - NEMA 1	5870203110	5870203110	17
MonoDrive Controller - NEMA 3R	5870203113	5870203113	22

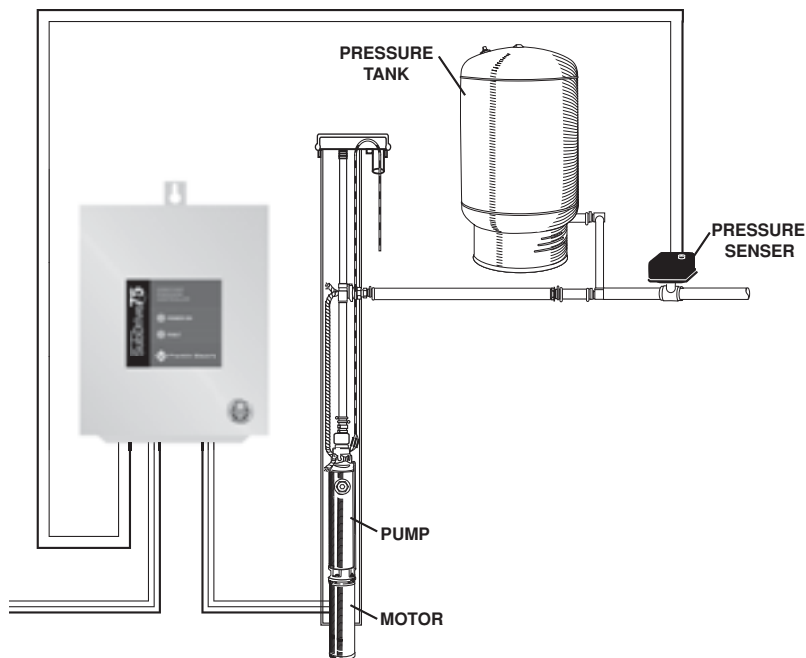
Note: For a complete variable speed system, controller above with any 1/2, 3/4 or 1 HP 4" single phase, 230 V., 3-wire pump unit.

Franklin Electric SubDrive 75



Features:

- Eliminates pressure cycling during long running applications
- Easy Installation
- Provides constant pressure by continually adjusting pump performance to meet water demand
- Built-in diagnostics
- Soft start feature prevents water hammer and reduces stress on motor.



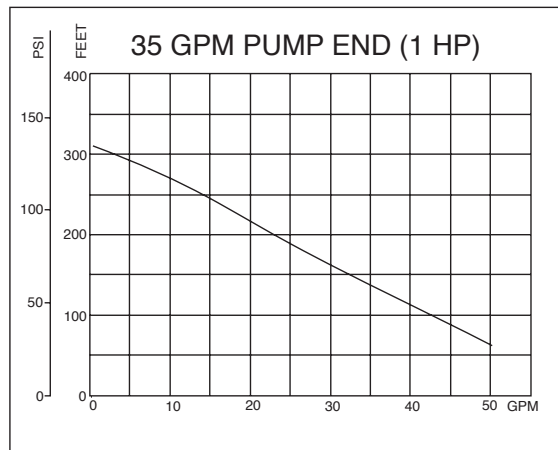
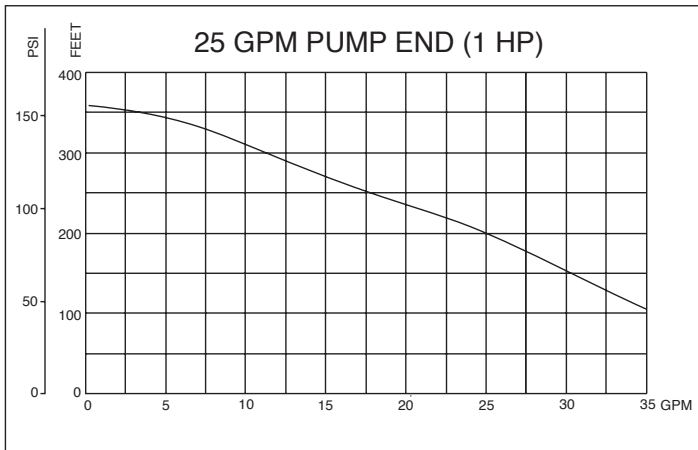
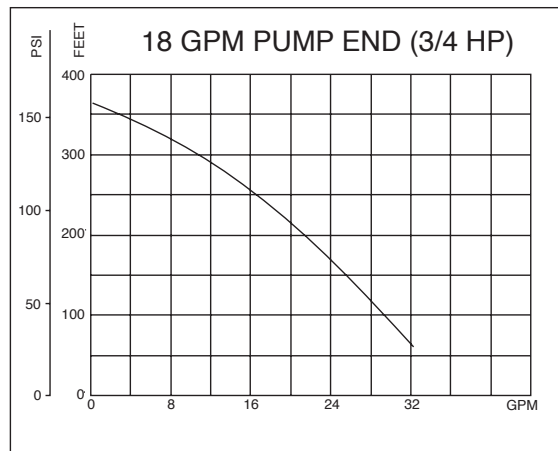
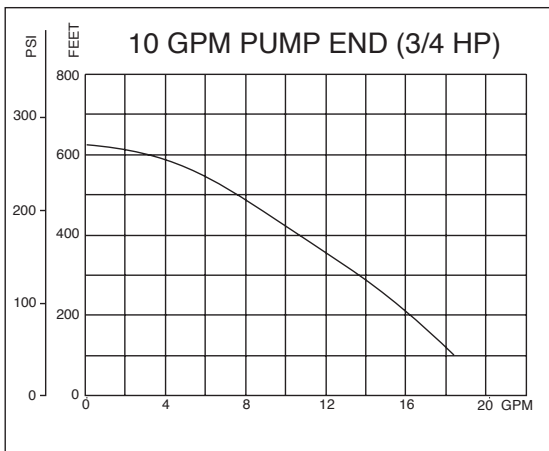
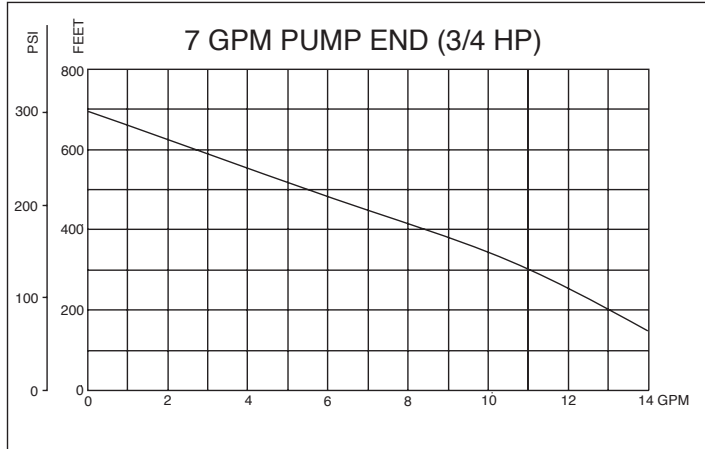
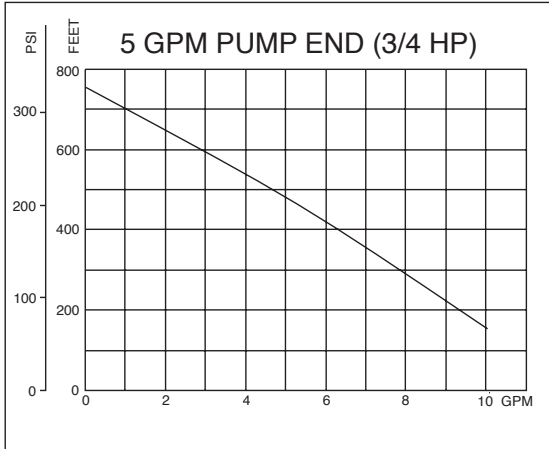
Applications:

- **Residential Water Systems**
 - Constant water pressure
 - Smaller tank saves space
- **Geothermal Systems**
 - No need for large buried tanks
 - Eliminates pressure cycling
- **Lawn Irrigation Systems**
 - Even distribution of water in zones
 - Eliminates need for separate system
- **Water Treatment Systems**
 - More efficient back flushing
 - No need for multiple pumps

Franklin Model	Order Number	Motor			Weight
5870203383	5870203383	SubDrive 75 Controller - NEMA 3R			22
5870203380	9010-4225	SubDrive 75 Controller			17
Franklin Model	Order Number	HP	Volts	Thrust Rating	Weight
23451492	90101460LEAD	1-1/2	230	650	24

Note: For a complete variable speed system, add any 3/4 HP 4" pump end to above control.
For 5 - 18 GPM, use 3/4 HP pump end. For 25 and 35 GPM models, use 1 HP pump end.

SubDrive 75 Performance Curves



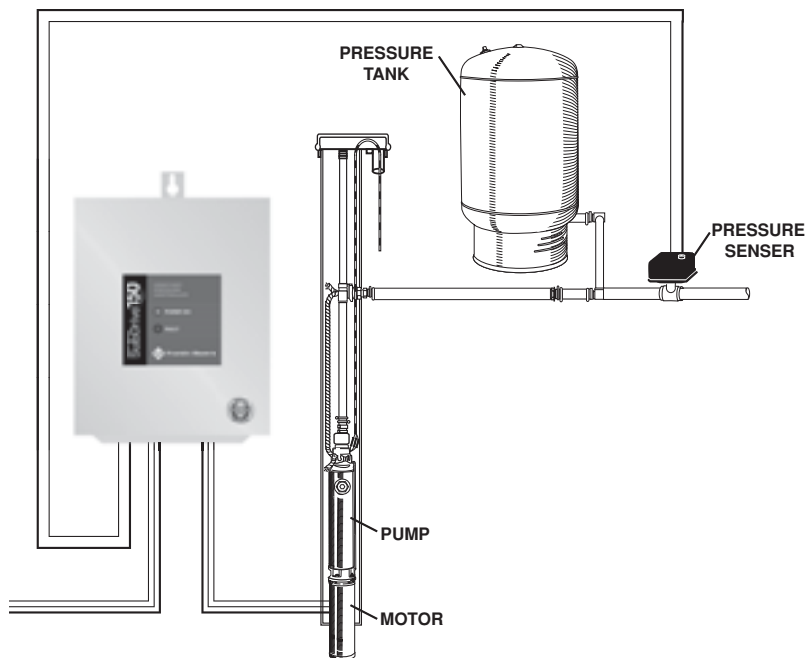
Note: When used with Schaefer Legend 4" models.

Franklin Electric SubDrive 150



Features:

- Eliminates pressure cycling during long running applications
- Easy Installation
- Provides constant pressure by continually adjusting pump performance to meet water demand
- Built-in diagnostics
- Soft start feature prevents water hammer and reduces stress on motor.



Applications:

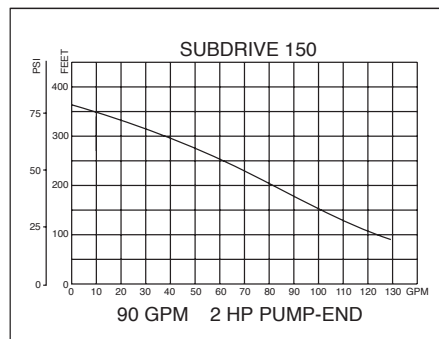
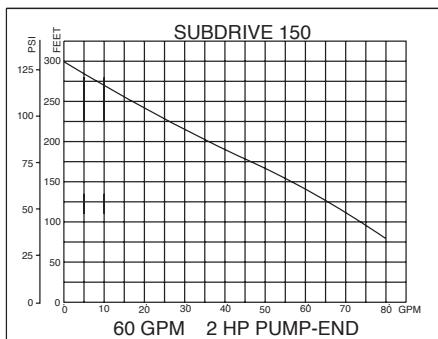
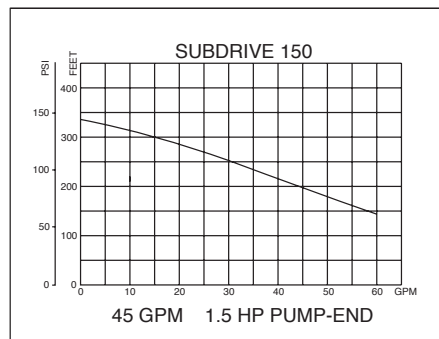
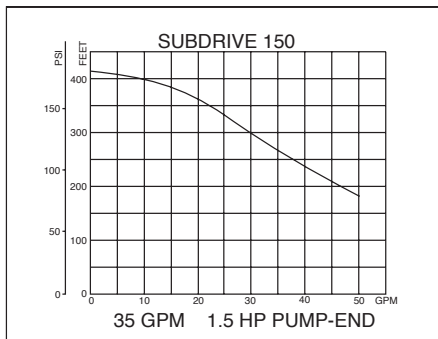
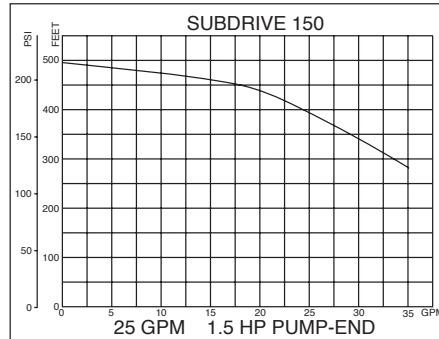
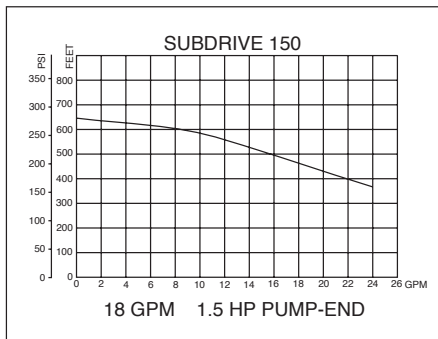
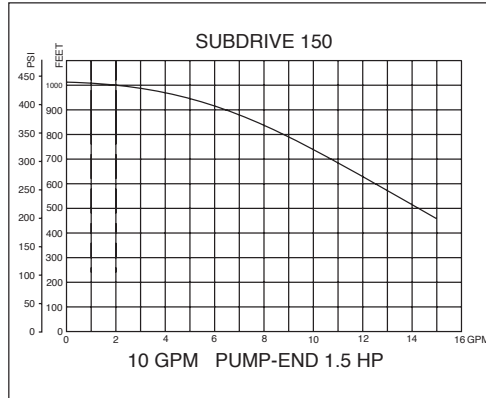
- **Residential Water Systems**
 - Constant water pressure
 - Smaller tank saves space
- **Geothermal Systems**
 - No need for large buried tanks
 - Eliminates pressure cycling
- **Lawn Irrigation Systems**
 - Even distribution of water in zones
 - Eliminates need for separate system
- **Water Treatment Systems**
 - More efficient back flushing
 - No need for multiple pumps

Franklin Model	Order Number	Motor	Weight
5870204150	9010-9810	SubDrive 150 Controller	21

Franklin Model	Order Number	HP	Volts	Thrust Rating	Weight
23431626	90101528LEAD	3	230	900	35

Notes: For a complete variable speed system, add any approved 4" pump end to above control.
 For 10-45 GPM, use 1-1/2 HP pump end. For 60 and 90 GPM models, use 2 HP pump end.

SubDrive 150 Performance Curves



Note: When used with Schaefer Legend 4" models.

Franklin Electric Control Boxes



Standard Control Box Features:

- Rain-tight two piece enclosure.
- 1/3 – 1HP quick disconnect control boxes are equipped with a QD relay.
- 1/1.5 – 15 HP include overloads, relays and capacitors.

Deluxe Control Box Features:

- Rain-tight two piece enclosure.
- 2 – 15 HP are equipped with magnetic starter.
- Includes relays, overload and capacitors.

Control Type	HP	Volts	Franklin Model	Order Number	Weight
4" Control Boxes, Capacitor Start-Induction Run (Standard)	1/3	115	28010249	91943845	3
	1/3	230	28010349	91941476	3
	1/2	115	28010449	91943852	3
	1/2	230	28010549	91941492	3
	3/4	230	28010749	91941773	3
	1	230	28010849	91941781	3
4" Control Boxes, Capacitor Start-Capacitor Run (C.R.C.)	1/2	230	28240550	91944348	5
	3/4	230	28240750	91944306	5
	1	230	28240850	91944314	5
	1/1.5	230	28230081	91940650	7
	2	230	28230181	91940668	7
	3	230	28230281	91940676	7
	5	230	28211381	91944280	8
4" Deluxe Control Boxes	2	230	28230183	91941591	7
	3	230	28230283	91944223	8
	5	230	28211393	91944298	12

FE Pumptec Motor Protection System



PumpTec Features:

- For single phase motors 1/3 - 1 1/2 HP, 115/230V, 2 or 3 wire.
- Protects against low-yield wells, drop in water level and low voltage.
- Manual or Auto Reset (2 min. - 90 min.)

PumpTec Plus Features:

- For single phase motors 1/2 - 5HP, 230V, 2 or 3 wire
- Protects against low-yield wells, high or low voltage, drop in water level, rapid cycling, water logged tank.
- Manual or Auto Reset (1 min. - 4 hrs.)
- Run and Fault indicator lights.

QD PumpTec Features:

- For Franklin 3-Wire single phase submersible motors 1/3-1 HP, 230V.
- Protects against low-yield wells, drop in water level, clogged well screen, air or gas locked pump, and low voltage.
- Auto or manual reset
- Surge resistant.
- Moisture and insect resistant.
- Solid state electronic circuitry.
- Mounts in existing Franklin Control Box.

Control Type	HP	Volts	Franklin Model	Order Number	Weight
Q.D. PUMPTEC	1/3---1	115/230	58000701	91944983	1
PUMPTEC	1/2---1-1/2	230	58000201	91944264	3
PUMPTEC PLUS	1/2---5	230	58000601	91944371	6

Three-phase Motor Protection



Features:

- Quick, menu-driven set-up
- Digital display shows voltage and current on all three legs at once
- Fault messages in easily understandable text
- Rated for 190 to 600 volts
- No need for additional turns around the CT or to add external CTs
- Password protection option
- DIN rail mounting option
- Stored fault, setting changes, and pump run-time information easily accessed through display head
- Detachable NEMA 3R display unit easily mounted on panel door
- Turn-and-push adjustment knob
- Base unit can operate independent of detachable head
- UL 508 Listed

Protects Against:

- Under/Overload
- Under/Overtoltage
- Current Unbalance
- Phase Reversal
- False Start (Chattering)
- Overheated Motor (if equipped with Subtrol Heat sensor)

Applications:

Submonitor is designed to protect 3-phase pumps with service factor amp ratings (SFA) from 5 to 350A (approx. 3 to 200 HP). Current, voltage, and motor temperature are monitored using three integrated current transformers. A digital display provides current and voltage readings for all three legs and allows the user to set up the Submonitor quickly and easily.

Description	Franklin Model	Order Number	Weight
SubMonitor - Standard	58600050	58600050	17
SubMonitor - Premium*	58600051	58600051	22

Note: *Includes lightning arrestor and 3-year warranty

4" Single Phase Motors and Leads

Motor Type	HP	Volts	Thrust Rating	Franklin Model	Order Number	Weight
4" Motors 2-Wire 1-Phase	1/2	115	300	24450490	90111022LEAD	18
	1/2	230	300	24450590	90111048LEAD	18
	3/4	230	300	24450790	90111055LEAD	21
	1	230	650	24450890	90111063LEAD	24
	1-1/2	230	650	24430990	90111774LEAD	31
4" Motors 3-Wire 1-Phase	1/2	115	300	21450490	90101411LEAD	19
	1/2	230	300	21450590	90101429LEAD	19
	3/4	230	300	21450790	90101437LEAD	21
	1	230	650	21450890	90101445LEAD	24
	1-1/2	230	650	22430092	90101452LEAD	28
	2	230	650	22430192	90101486LEAD	33
	3	230	900	22430226	90101510LEAD	41
	3	230	1500	22430252	90104191LEAD	55
4" Sand Fighter	3	230	1500	22430284	90103805LEAD	55
	5	230	1500	22430384	90103813LEAD	70
Type	Description	Wire Size	Franklin Model	Order Number	Weight	
4" Motor Leads	48" - 2 Wire	#14 AWG	152552905	23207004R003	1	
	120" - 2 Wire w/SJOW	#14 AWG	152365903	23489248R000	1	
	48" - 3 Wire	#14 AWG	152553905	23019508R004	1	
	100" - 3 Wire	#14 AWG	152553906	23101108R004	1	

Note: Some Franklin motors, controls, & parts are not stock items and may need to be special ordered.

4" Three Phase Motors

Motor Type	HP	Volts	Thrust Rating	Franklin Model	Order Number	Weight
4" Motors 3-Phase Standard Constr.	1/2	200	300	23450192	90109000LEAD	18
	1/2	230	300	23451192	90109018LEAD	18
	1/2	460	300	23452194	90109026LEAD	18
	3/4	200	300	23450292	90119090LEAD	21
	3/4	230	300	23451292	90109034LEAD	21
	3/4	460	300	23452294	90109042LEAD	21
	1	200	650	23450392	90109224LEAD	24
	1	230	650	23451392	90100405LEAD	24
	1	460	650	23452394	90107087LEAD	24
	1-1/2	200	650	23450492	90111832LEAD	24
	1-1/2	230	650	23451492	90101460LEAD	24
	1-1/2	460	650	23452494	90111527LEAD	24
	1-1/2	575	650	23453494	90178633LEAD	24
	2	200	650	23430592	90111840LEAD	28
	2	230	650	23431592	90101494LEAD	28
	2	460	650	23432594	90101502LEAD	28
	2	575	650	23433594	90109281LEAD	28
	3	200	900	23430626	90111857LEAD	35
	3	230	900	23431626	90101528LEAD	35
	3	460	900	23432626	90101536LEAD	35
	3	575	900	23433626	90109299LEAD	35
	3	200	1500	23430652	consult factory	42
	3	230	1500	23431652	90104209LEAD	42
	3	460	1500	23432652	90107962LEAD	42
	5	200	1500	23430752	90111873LEAD	55
	5	230	1500	23431752	90101551LEAD	55
	5	460	1500	23432752	90101569LEAD	55
	5	575	1500	23433752	90109307LEAD	55
7-1/2	200	1500	23430852	90105313LEAD	70	
7-1/2	230	1500	23431852	90105321LEAD	70	
7-1/2	460	1500	23432852	90100389LEAD	70	
7-1/2	575	1500	23433852	90177330LEAD	70	
10	460	1500	23459534	90119363LEAD	75	
4" Motors 3-Phase Sand Fighter	3	200	1500	23430684	90109059LEAD	42
	3	230	1500	23431684	90103821LEAD	42
	3	460	1500	23432684	90103839LEAD	42
	5	200	1500	23430784	90109067LEAD	55
	5	230	1500	23431784	90103847LEAD	55
	5	460	1500	23432784	90103854LEAD	55
	7-1/2	200	1500	23430884	90109075LEAD	70
	7-1/2	230	1500	23431884	90103862LEAD	70
7-1/2	460	1500	23432884	90103870LEAD	70	
10	460	1500	23459584	90103888LEAD	75	
4" Motors 3-Phase CBM	3	200	1500	23430682	90102617LEAD	42
	3	230	1500	23431682	90102625LEAD	42
	3	460	1500	23432682	90102633LEAD	42
	5	200	1500	23430782	90102658LEAD	55
	5	230	1500	23431782	90102666LEAD	55
	5	460	1500	23432782	90102674LEAD	55
	7-1/2	200	1500	23430882	90102682LEAD	70
	7-1/2	230	1500	23431882	90102690LEAD	70
	7-1/2	460	1500	23432882	90102708LEAD	70
10	460	1500	23459582	90102716LEAD	75	

Note: Some Franklin motors, controls, & parts are not stock items and may need to be special ordered.

6" Single Phase Motors

Motor Type	HP	Volts	Thrust Rating	Franklin Model	Order Number	Weight
6" Motors 1-Phase	5	230	1500	22611090	90101577	110
	7-1/2	230	1500	22611190	90101601	123
	10	230	3500	22611290	90104845	141
	15	230	3500	22611390	90104894	154
6" Motors 1-Phase Sand Fighter	5	230	1500	22611080	90103895	110
	7-1/2	230	1500	22611180	90103904	123
	10	230	3500	22611280	90103912	141
	15	230	3500	22611380	90103920	154

6" Control Boxes

Control Type	HP	Volts	Franklin Model	Order Number	Weight
6" Standard Control Boxes	7-1/2	230	28220192	91940700	12
	10	230	28220292	91942300	14
6" Deluxe Control Boxes	7-1/2	230	28220193	91944181	13
	10	230	28220293	91944199	15
	15	230	28220393	91944215	17
	15	230	28220396	91945501	28

6" Leads

Type	Description	Wire Size	Franklin Model	Order Number	Weight
6" Motor Leads	13' - 3 Wire (All HP)	#8 AWG	305517901	23113202	4

Lightning Arrestors

Item	Type	Rating	Franklin Model	Order Number
Lightning Arrestors	1-Phase	0-125 Volts to ground	150814902	99497729R
	3-Phase	0-650 Volts to ground	155440901	99497737R

Note: Some Franklin motors, controls, & parts are not stock items and may need to be special ordered.

6" Three Phase Motors (non-subtrol)

Motor Type	HP	Volts	Thrust Rating	Franklin Model	Order Number	Weight
6" Motors 3-Phase Standard Constr.	5	200	1500	23665090	90119298	101
	5	230	1500	23660090	90101585	101
	5	460	1500	23661090	90101593	101
	5	575	1500	23662090	90109315	101
	7-1/2	200	1500	23665190	90101354	108
	7-1/2	230	1500	23660190	90101619	108
	7-1/2	460	1500	23661190	90101627	108
	7-1/2	575	1500	23662190	90109323	108
	10	200	3500	23665290	90119306	116
	10	230	3500	23660290	90101635	116
	10	460	3500	23661290	90101643	116
	10	575	3500	23662290	90109331	116
	15	200	3500	23665390	90119314	129
	15	230	3500	23660390	90101650	129
	15	460	3500	23661390	90101668	129
	15	575	3500	23662390	90109349	129
	20	200	3500	23665490	90119322	145
	20	230	3500	23660490	90101676	145
	20	460	3500	23661490	90101684	145
	20	575	3500	23662490	90109356	145
	25	200	3500	23665590	90119330	156
	25	230	3500	23660590	90101692	156
	25	460	3500	23661590	90101700	156
	25	575	3500	23662590	90101718	156
	30	200	3500	23665690	90119348	174
	30	230	3500	23660690	90101726	174
	30	460	3500	23661690	90101734	174
	30	575	3500	23662690	90101742	174
6" Motors 3-Phase Sand Fighter	5	200	1500	23665080	Consult factory	101
	5	230	1500	23660080	90103938	101
	5	460	1500	23661080	90103946	101
	7-1/2	200	1500	23665180	Consult factory	108
	7-1/2	230	1500	23660180	90103953	108
	7-1/2	460	1500	23661180	90103961	108
	10	200	3500	23665280	Consult factory	116
	10	230	3500	23660280	90103979	116
	10	460	3500	23661280	90103987	116
	15	200	3500	23665380	Consult factory	129
	15	230	3500	23660380	90103995	129
	15	460	3500	23661380	90104001	129
	20	200	3500	23665480	Consult factory	145
	20	230	3500	23660480	90104019	145
	20	460	3500	23661480	90104027	145
	25	200	3500	23665580	Consult factory	156
	25	230	3500	23660580	90104035	156
	25	460	3500	23661580	90104043	156
	30	200	3500	23665680	Consult factory	174
	30	230	3500	23660680	90104050	174
30	460	3500	23661680	90104068	174	

Note: Some Franklin motors, controls, & parts are not stock items and may need to be special ordered.

6" Three Phase Motors (subtrol equipped)

Motor Type	HP	Volts	Thrust Rating	Franklin Model	Order Number	Weight
6" Motors 3-Phase Standard Constr.	5	200	1500	23665060	90119298SBTL	101
	5	230	1500	23660060	90101585SBTL	101
	5	460	1500	23661060	90101593SBTL	101
	7-1/2	200	1500	23665160	90101354SBTL	108
	7-1/2	230	1500	23660160	90101619SBTL	108
	7-1/2	460	1500	23661160	90101627SBTL	108
	10	200	3500	23665260	90119306SBTL	116
	10	230	3500	23660260	90101635SBTL	116
	10	460	3500	23661260	90101643SBTL	116
	15	200	3500	23665360	90119314SBTL	129
	15	230	3500	23660360	90101650SBTL	129
	15	460	3500	23661360	90101668SBTL	129
	20	200	3500	23665460	90119322SBTL	145
	20	230	3500	23660460	90101676SBTL	145
	20	460	3500	23661460	90101684SBTL	145
	25	200	3500	23665560	90119330SBTL	156
	25	230	3500	23660560	90101692SBTL	156
	25	460	3500	23661560	90101700SBTL	156
	30	200	3500	23665660	90119348SBTL	174
	30	230	3500	23660660	90101726SBTL	174
30	460	3500	23661660	90101734SBTL	174	
40	460	6000	23661760	90101759	202	
40	575	6000	23662760	90101760	202	
50	460	6000	23661860	90107939	300	
60	460	6000	23661960	90103359	330	
6" Motors 3-Phase Sand Fighter	5	200	1500	23665081	Consult factory	101
	5	230	1500	23660081	90103938SBTL	101
	5	460	1500	23661081	90103946SBTL	101
	7-1/2	200	1500	23665181	Consult factory	108
	7-1/2	230	1500	23660181	90103953SBTL	108
	7-1/2	460	1500	23661181	90103961SBTL	108
	10	200	3500	23665281	Consult factory	116
	10	230	3500	23660281	90103979SBTL	116
	10	460	3500	23661281	90103987SBTL	116
	15	200	3500	23665381	Consult factory	129
	15	230	3500	23660381	90103995SBTL	129
	15	460	3500	23661381	90104001SBTL	129
	20	200	3500	23665481	Consult factory	145
	20	230	3500	23660481	90104019SBTL	145
	20	460	3500	23661481	90104027SBTL	145
	25	200	3500	23665581	Consult factory	156
	25	230	3500	23660581	90104035SBTL	156
	25	460	3500	23661581	90104043SBTL	156
	30	200	3500	23665681	Consult factory	174
	30	230	3500	23660681	90104050SBTL	174
30	460	3500	23661681	90104068SBTL	174	
40	460	6000	23661781	90104076	202	
50	460	6000	23661881	90104084	300	
60	460	6000	23661981	90104092	330	

Note: Some Franklin motors, controls, & parts are not stock items and may need to be special ordered.

6" Three Phase Motors (Super 90 Series)

Motor Type	HP	Volts	Thrust Rating	Franklin Model	Order Number	Weight
6" Motors 3-Phase Water Well Super 90 Non-Subtrol	5	200	4500	27665000	Consult Factory	116
	5	230	4500	27660000	Consult Factory	116
	5	460	4500	27661000	Consult Factory	116
	7-1/2	200	4500	27665100	Consult Factory	129
	7-1/2	230	4500	27660100	Consult Factory	129
	7-1/2	460	4500	27661100	Consult Factory	129
	10	200	4500	27665200	Consult Factory	145
	10	230	4500	27660200	Consult Factory	145
	10	460	4500	27661200	Consult Factory	145
	15	200	4500	27665300	Consult Factory	156
	15	230	4500	27660300	Consult Factory	156
	15	460	4500	27661300	Consult Factory	156
	20	200	4500	27665400	Consult Factory	174
	20	230	4500	27660400	Consult Factory	174
	20	460	4500	27661400	Consult Factory	174
	25	200	7500	27665501	Consult Factory	202
	25	230	7500	27660501	Consult Factory	202
	25	460	7500	27661501	Consult Factory	202
	30	200	7500	27665601	Consult Factory	300
	30	230	7500	27660601	Consult Factory	300
30	460	7500	27661601	Consult Factory	300	
40	460	7500	27661701	Consult Factory	330	

8" Three Phase Motors and Leads (standard & sandfighter)

Motor Type	HP	Volts	Thrust Rating	Franklin Model	Order Number	Weight
8" Motors 3-Phase Standard Constr.	40	460	10000	23960060	90103011	320
	50	460	10000	23960160	90103029	345
	60	460	10000	23960260	90103037	375
	75	460	10000	23960360	90103045	430
	100	460	10000	23960460	90103052	530
	125	460	10000	23910560	90103375	700
8" Motors 3-Phase Sand Fighter	40	460	10000	23960085	90104100	320
	50	460	10000	23960185	90104118	345
	60	460	10000	23960285	90104126	375
	75	460	10000	23960385	90104134	430
	100	460	10000	23960485	90104142	530
	125	460	10000	23910585	90104159	700
	150	460	10000	23910685	90104167	840
	175	460	10000	23910785	90104175	925
	200	460	10000	23910885	90104183	1040
Type	Description	Wire Size	Franklin Model	Order Number	Wt.	
8" Motor Leads	13' - 3W (40-60HP)	#8 AWG	305516901	23498306	5	
	13' - 3W (75-125HP)	#4 AWG	305210901	23489305	6	
	13' - 3W (150-200HP)	#2 AWG	305315901	23489404	8	

Furnas ESP 100

INDOOR ENCLOSURE								
1-Phase Motor Voltage			Starter Size	Amp Range	Control Circuit Voltage			Wt.
230					24V Coil	200-208V Coil	230/460V Coil*	
5			1	13-27	14DSF32BJ51	14DSF32BD51	14DSF32BC51	14
7½			1¾	20-40	14ESG32BJ51	14ESG32BD51	14ESG32BC51	14
10			2½	30-60	14GSJ32BJ51	14GSJ32BD51	14GSJ32BC51	23
3-Phase Motor Voltage			Starter Size	Amp Range	Control Circuit Voltage			Wt.
200	230	460			24V Coil	200-208V Coil	230/460V Coil*	
--	½	1	00	.75-3	14BSB32BJ51	14BSB32BD51	14BSB32BC51	11
1½	1½	2	00	2.5-10	14BSD32BJ51	14BSD32BD51	14BSD32BC51	11
2	2	5	0	2.5-10	14CSD32BJ51	14CSD32BD51	14CSD32BC51	14
3	3	--	0	9-18	14CSE32BJ51	14CSE32BD51	14CSE32BC51	14
5	5	10	1	13-27	14DSF32BJ51	14DSF32BD51	14DSF32BC51	14
10	10	15	1¾	20-40	14ESG32BJ51	14ESG32BD51	14ESG32BC51	14
--	--	25	2	22-45	14FSH32BJ51	14FSH32BD51	14FSH32BC51	23
15	15	30	2½	30-60	14GSJ32BJ51	14GSJ32BD51	14GSJ32BC51	23
25	25	50	3	45-90	14HSK32BJ51	14HSK32BD51	14HSK32BC51	37
30	30	60	3½	57-115	14ISL32BJ51	14ISL32BD51	14ISL32BC51	37

* Dual voltage coils are wired high

FIELD MODIFICATION KITS			
Description	Starter Size	Order No.	Wt.
Start, Stop Push Button	00 - 3½	49APB5	1
	4	49AP05	1
Hand-Off-Auto Selector Switch	00 - 3½	49ASB1	1
	4	49AS01	1
Pilot Light w/ Red Lens (Neon resistor: 115,230,460V)	00 - 2½	50D24999	1
	3 - 3½	50D55072	1
Normally Open Auxiliary Contact	00 - 3½	49AAF0	1
Normally Closed Auxiliary Contact	00 - 3½	49AAFC	1

Due to the wide variety of horsepower, motor and control voltages available, not all models are normally stocked. Call customer service for availability.

No returns or exchanges on electrical equipment.

Selecting the appropriate size and model starter:

- 1 Determine the phase, voltage, horsepower and service factor ampere rating of the motor.
- 2 Determine the control circuit voltage used to control the starter's operation.
- 3 Depending on single or three phase voltage, select from either the upper or lower chart.
- 4 Starting at upper left corner of the chosen chart, select the motor voltage rating, drop down and stop at a value equal to or greater than the horsepower rating of the motor.
- 5 Slide over to Amp Range column and verify that starter amp range is sufficient to carry the service factor amp draw of the motor. If not, move down to the next size starter.
- 6 Slide over to the column representing the control circuit voltage to be used.
- 7 The 11 digit Furnas model number represents the appropriate starter for the application.
- 8 Select field modifications (if needed) based upon starter size.

These starters each have 3 poles plus a holding contact and are intended for use on 3 phase motors. They can be used on 3 - 10HP, 230V single phase motors by following the sizing steps outlined above and by wiring the starter according to the detailed instructions provided for single phase motor control.



Pro Series



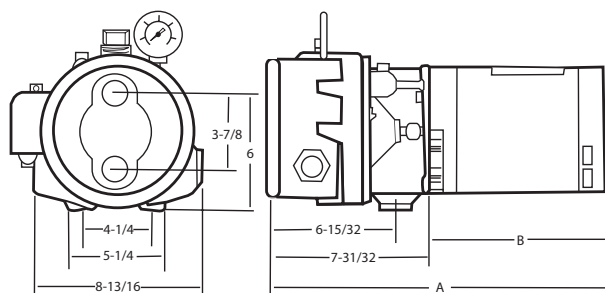
NRTL/C
CSA 108
UL 778

Features:

- Heavy-duty cast iron case and bronze impeller ensure optimum durability.
- Thermoplastic diffuser is molded for efficiency and dependability.
- Screw-in injector for easy conversion from shallow to deep well installation.
- Shaft coupling designed for easy removal of pump motor.
- Mechanical shaft seal ensures leakproof fit and continuous water lubrication.
- High service factor 56C-frame motor for maximum performance.
- Hardware kit allows for versatility of installation and includes pressure gauge, plugs, shallow well injector, and bypass plug.
- Adjustable pressure switch is factory-installed at 30/50 PSI.
- Connections
 - 1-1/4" FNPT Suction
 - 1" FNPT Discharge
 - 1" FNPT Drive Line
- Maximum temperature of 140°F.

Dimensions			
Model No.	HP	A	B
5SFCWJPRO-S	1/2	18.65	10.44
7SFCWJPRO-S	3/4	19.15	11.19
1SFCWJPRO-S	1	19.65	11.44

Note: Dimensions will vary according to motor manufacturer.



Convertible Jet Pumps

Pro Series Ordering Information

PRO CONVERTIBLE JET PUMPS								
Model	HP	Discharge x Suction	Voltage	PUMP UNIT		DEEP WELL INJECTOR		
				Order No.	Wt.	Suction Lift	Order No.	Wt.
5SFCWJPRO-S	1/2	1" x 1-1/4"	115/230	91120005	48	30 - 60 Ft.	147E1120	7
						50 - 100 Ft.	147E0915	7
7SFCWJPRO-S	3/4	1" x 1-1/4"	115/230	91120007	51	30 - 60 Ft.	147E1023	7
						50 - 100 Ft.	147E1118	7
1SFCWJPRO-S	1	1" x 1-1/4"	115/230	91120010	53	30 - 60 Ft.	147E1125	7
						50 - 100 Ft.	147E1120	7

- Notes:**
- 1) Order deep well injector separately.
 - 2) Minimum inside well diameter requirement of 4" for deep well injectors.

OPTIONAL INJECTOR FOR HIGH HEAD PERFORMANCE		
Injector Ordering No.	Model No.	HP
18-1278-03-R	1SFCWJPROH-S	1

PRESSURE GAUGE	
Ordering No.	Pressure Reading
9193-4018-R	0-100 PSI

Required for Deep Well Installations:



Parallel Pipe Injectors

Convertible Jet Pumps

Pro Series Performance Charts

Shallow Well Performance

Pro 1" Discharge x 1-1/4" Suction			Discharge Pressure - PSI									Shut-off Pressure PSI
HP	Injector Order No.	Total Suction Lift ft.	30	35	40	45	50	55	60	65	70	
			Gallons per Minute									
1/2 HP	18-1278-03	5	15.5	13.5	11	8.5	6	4	2			65
		10	13.5	12.5	10	7.5	5	3	1			63
		15	11.5	10.5	8.5	6	4	2				60
		20	9.5	9	7.5	5	3	1				58
		25	7	7	6	4	2					55
3/4 HP	18-1279-02	5	19	18.5	18	16	12.5	9.5	6.5	3.5		70
		10	16.5	16	15.5	14	10	8	4.5	1.5		68
		15	14.5	14	13.5	12.5	9.5	6.5	3.5			66
		20		11.5	11	10	8	5	2			63
		25			8.5	8	6.5	3.5	1			61
1 HP	18-1280-09	5	23	22.5	22	21.5	20	17.5	14	10.5	7	81
		10		19.5	19	18.5	17.5	15.5	12.5	9	5.5	78
		15		16.5	16	15.5	15	13.5	11	7.5	4.5	76
		20			13.5	13	12.5	11.5	9.5	6	2.5	74
		25				10	10	9.5	7.5	4.5	1	71

Model No.	Injector Order No.	Total Suction Lift ft.	Discharge Pressure - PSI									Shut-off Pressure PSI
			50	55	60	65	70	75	80	85	90	
			Gallons per Minute									
High Head 1 HP	18-1278-03	5			11	10	7.5	5.5	3.5	1.5		90
		10			10	8.5	6.5	4.5	2.5			88
		15			9	7.5	5.5	3.5	1.5			84
		20			8	6	4	2				81
		25			7	5	3	1				78

- Notes:**
- 1) Pressure Switch Pre-Set 30-50 PSI
 - 2) The appropriate injector is included with the units.
 - 3) Maximum pump working pressure is 150 PSI.
 - 4) All the above discharge pressures were measured using 1-1/4" PVC suction pipe and 1-1/4" footvalve.

Convertible Jet Pumps

Pro Series Performance Charts

Deep Well Performance

Pro 1" Discharge x 1-1/4" Suction 1" Drive Pipe			Discharge Pressure - PSI									Shut-off Pressure PSI	Inj. Min. Operating Pressure
HP	Injector Order No.	Total Suction Lift ft.	30	35	40	45	50	55	60	65	70		
Gallons per Minute													
1/2 HP	Cast Iron 147E-1120	30	9	7	5.5	4	2.5	1.5				65	18
		40	7.5	6	4	3	1.5				59		
		50	6	4.5	3	2	1				56		
		60	5	3.5	2	1					52		
1/2 HP	Cast Iron 147E-0915	50	6	5	4	3	2.5	2	1			74	23
		60	5	4	3.5	2.5	2	1			70		
		70	4	3.5	2.5	2	1.5				65		
		80	3.5	3	2	1.5	1				61		
		90	3	2	1.5	1					57		
		100	2.5	1.5	1						52		
3/4 HP	Cast Iron 147E-1023	30	15.5	13.5	11	8.5	6.5	4	2			66	18
		40	13.5	11.5	9	7	4.5	2.4			61		
		50	11	9.5	7	5	3				57		
		60	9	7.5	5	3	1				53		
3/4 HP	Cast Iron 147E-1118	50	9	8	7	6	4.5	3.5	3	2	1	80	23
		60	8	7	6	4.5	4	3	2	1.5		77	
		70	6.5	5.5	4.5	3.5	3	2	1		72		
		80	6	5	4	3	2	1.5			67		
		90	5	4	3	2	1.5				63		
		100	4	3	2.5	1.5	1				30		
1 HP	Cast Iron 147E-1125	30	19.5	17	14.5	12	9.5	7	5			72	30
		40	17.5	15	12.5	10	7.5	5	3			67	
		50	15.5	13	10.5	8	5.5	3.5	1			63	
		60	13	10.5	8.5	6	3.5	1.5			59		
1 HP	Cast Iron 147E-1120	50		11	9.5	8	6.5	5	4	3	2	82	36
		60		10	8	7	5.5	4	3	2	1	78	
		70		8	7	6	4.5	3	2	1		73	
		80		7	6	4.5	3.5	2	1.5			70	
		90		6	5	3.5	2.5	1.5				65	
		100		5	4	3	1.5					61	

- Notes:**
- 1) Pressure Switch Pre-Set 30-50 PSI
 - 2) Maximum pump working pressure is 150 PSI.
 - 3) All the above discharge pressures were measured using 1-1/4" PVC suction pipe and 1-1/4" foot valve and 1" drive pipe.

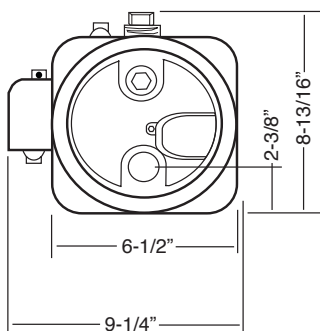
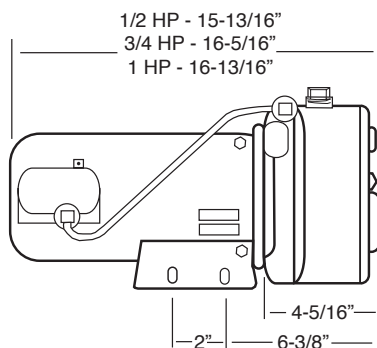


CWJ Series



NRTL/C
CSA 108
UL 778

Dimensions



Note: Dimensions will vary according to motor manufacturer.

Features:

- Thermoplastic impeller assures increased hydraulic efficiency.
- Thermoplastic diffuser is molded for efficiency and dependability.
- Cast-iron case for maximum durability.
- Square flange motor with threaded shaft for direct mounting of impeller.
- Mechanical shaft seal ensures leakproof fit.
- Pressure switch is factory installed at 20/40 PSI.
- “Convertible” Hardware includes plugs, by-pass plug, and shallow well injector. (Screw-in injector allows for easy conversion from shallow to deep well installation).
- Pressure gauge can be ordered separately.
- Connections
 - 1-1/4" FNPT Suction
 - 1" FNPT Discharge
 - 1" FNPT Drive Line
- Maximum temperature 140°F.

Convertible Jet Pumps

CWJ Series Ordering Information

SFCWJ-S SERIES CONVERTIBLE JET PUMPS								
Model	HP	Discharge x Suction	Voltage	PUMP UNIT		DEEP WELL INJECTOR		
				Order No.	Wt.	Suction Lift	Order No.	Weight
5SFCWJ-S	1/2	1" x 1-1/4"	115/230	91030005	36	30 - 60 Ft.	147E1118	7
						60 - 90 Ft.	147E1115	7
7SFCWJ-S	3/4	1" x 1-1/4"	115/230	91030007	38	30 - 60 Ft.	147E1123	7
						60 - 90 Ft.	147E1118	7
1SFCWJ-S	1	1" x 1-1/4"	115/230	91030010	41	30 - 60 Ft.	147E1123	7
						60 - 90 Ft.	147E1118	7
5SFCWJH-S	1/2	1" x 1-1/4"	115/230	91030050	36	High head configuration SFCWJ-S pumps are for shallow well application only.		
7SFCWJH-S	3/4	1" x 1-1/4"	115/230	91030075	38			
1SFCWJH-S	1	1" x 1-1/4"	115/230	91030100	41			

- Notes: 1) Order deep well injector separately.
2) Minimum inside well diameter requirement of 4" for deep well injectors.

OPTIONAL INJECTOR FOR HIGH HEAD PERFORMANCE		
Injector Ordering No.	Model No.	HP
18-1200-12-R	5SFCWJ-S	1/2
18-1247-01-R	7SFCWJ-S	3/4
18-1247-01-R	1SFCWJ-S	1

PRESSURE GAUGE	
Ordering No.	Pressure Reading
9193-4018-R	0-100 PSI

Required for Deep Well Installations:



Parallel Pipe Injectors

Convertible Jet Pumps

CWJ Series Performance Charts

Shallow Well Performance

Model No.	Injector Order No.	Total Suction Lift ft.	Discharge Pressure - PSI									Shut-off Pressure PSI
			30	35	40	45	50	55	60	65	70	
			Gallons per Minute									
1/2 HP	18-1247-01	5	12	10	7.5	5	2					55
		10	11	9	6	3.5						53
		15	10	8	5	2						51
		20	9.5	6.5	4	1						49
		25	8	5	2							47
3/4 HP	18-1248-00	5	21.5	19.5	15.5	10.5	5					53
		10	21	18	13.5	8						51
		15	20	16.5	11	6.5						49
		20	18	14	9	2						47
		25	16	12	6							45
1 HP	18-1701-00	5	19.8	18.8	16.6	14	10.3	5.5				60
		10	18.1	17.5	15.6	12.6	8.6	3.5				58
		15	15	14.5	14.2	10.8	6.6	1.3				56
		20	12.6	12.5	12.7	8.8	4.1					54
		25	10	9.8	9.3	6.8	1.6					52
High Head 1/2 HP	18-1200-12	5	6	5.6	5	4.3	3.5	2.6	1.6	0.6		68
		10	5.3	4.9	4.6	4	3	1.9	0.9			65
		15	4.9	4.6	4.2	3.5	2.5	1.5	0.6			63
		20	4.4	4.2	3.9	3	2.1	1.1	0.3			61
		25	3.4	3.2	3	2.3	1.4	0.6				58
High Head 3/4 HP	18-1247-01	5			11.5	10.8	10	8.6	7	4.5	2	69
		10				10.1	9	7	5	2.8	0.5	66
		15				9.2	8	6.2	4.2	2		64
		20				8.2	7	5.4	3	0.5		61
		25				5.9	5	3.5	1.5			58
High Head 1 HP	18-1247-01	5		12	12	12	11	9	7	5	2.5	76
		10		11	10.5	10.5	10	8	6	4	1.5	74
		15		9.5	9	9	9	7	5	3		71
		20		8	8	7.5	7.5	6	4	2		69
		25		6.5	6.5	6	6	5	3	1		67

Notes: 1) The appropriate shallow well injector is included with the units.
 2) All the above discharge pressures were measured using 1-1/4" PVC suction pipe and 1-1/4" foot valve.

Convertible Jet Pumps

CWJ Series Performance Charts

Deep Well Performance

CWJ 1" Discharge x 1-1/4" Suction 1" Drive Pipe			Discharge Pressure - PSI								Shut-off Pressure PSI
HP	Injector Order No.	Total Suction Lift ft.	30	35	40	45	50	55	60	65	
			Gallons per Minute								
1/2 HP	Cast Iron 147E-1118	30	6.0	4.6	3.6	2.7	1.8	0.9	0.1		61
		40	4.8	3.6	2.7	1.8	1.0	0.2			57
		50	4.0	2.8	2.0	1.1	0.3				52
		60	3.0	1.9	1.1	0.3					47
	Cast Iron 147E-1115	60	2.6	2.0	1.5	0.9	0.4				54
		70	2.1	1.6	1.1	0.5					51
		80	1.6	1.1	0.6	0.1					46
		90	1.1	0.6	0.1						42
3/4 HP	Cast Iron 147E-1123	30	12.5	10.3	8.1	6.0	3.8	1.9	0.1		61
		40	10.8	8.5	6.4	4.2	2.2	0.4			56
		50	9.0	6.6	4.5	2.4	0.6				52
		60	7.0	4.8	2.9	1.0					48
	Cast Iron 147E-1118	60	6.9	5.7	4.5	3.5	2.5	1.6	0.8	0.1	66
		70	5.8	4.7	3.6	2.7	1.9	1.0	0.3		63
		80	4.8	3.7	2.7	2.0	1.1	0.3			58
		90	3.7	2.9	2.1	1.3	0.5				54
1 HP	Cast Iron 147E-1123	30	13.6	11.3	9.5	7.3	5.3	3.2	1.6		65
		40	11.3	9.5	7.3	5.3	3.5	1.6			60
		50	9.0	7.5	5.6	3.7	1.9	0.1			56
		60	7.0	6.0	4.2	2.3	0.5				52
	Cast Iron 147E-1118	60	7.4	6.1	5.1	4.1	3.3	2.4	1.6	0.8	70
		70	6.5	5.4	4.5	3.5	2.6	1.8	1.0	0.3	67
		80	5.4	4.4	3.5	2.6	1.8	1.0	0.3		62
		90	4.4	3.5	2.8	1.9	1.1	0.3			57

- Notes:**
- 1) Deep Well injectors must be ordered separately.
 - 2) All the above discharge pressures were measured using 1-1/4" PVC suction pipe, 1-1/4" foot valve and 1" drive pipe.



C Series



Single Stage Convertible Jet Pump.

Available in 1/3, 1/2 or 3/4 HP models. The C Pump is equipped with a brass impeller for high performance and longevity. The C Pump delivers up to 18 gallons per minute from shallow well installations and 16 gallons per minute from deep well applications.

Features:

- Heavy-duty iron construction for long life
- Brass impeller for high performance
- Thermoplastic diffuser is molded for efficiency and dependability
- Screw-in injector for easy conversion from shallow to deep well installation
- Motor with stainless steel shaft for direct mounting or impeller
- Mechanical shaft seal insures leakproof fit and continuous lubrication
- Factory assembled as shallow well unit
- Hardware kit allows for versatility of installation Includes pressure gauge and plugs
- Deep well injector must be ordered separately

C Series Ordering Information

SERIES "C" CONVERTIBLE JET PUMPS								
Model	HP	Discharge x Suction	Voltage	PUMP UNIT		DEEP WELL INJECTOR		
				Order No.	Wt.	Suction Lift	Order No.	Weight
3SFC-S	1/3	1" x 1-1/4"	115/230	91100003	45	20 - 60 Ft.	147E0916	7
						60 - 90 Ft.	147E0914	7
5SFC-S	1/2	1" x 1-1/4"	115/230	91100005	45	20 - 60 Ft.	147E1018	7
						60 - 90 Ft.	147E1117	7
						60 - 90 Ft.	147E1115	7
7SFC-S	3/4	1" x 1-1/4"	115/230	91100007	50	20 - 60 Ft.	147E1124	7
						50 - 90 Ft.	147E1019	7
						80-120 Ft.	147E0914	7

Notes: 1) Order deep well injector separately.
 2) Minimum inside well diameter requirement of 4" for deep well injectors.

PRESSURE GAUGE	
Ordering No.	Pressure Reading
9193-4018-R	0-100 PSI

Required for Deep Well Installations:



Parallel Pipe Injectors

C Series Ordering Information-Shallow well-Self Priming

HP	Injector Order No.	Total Suction Lift ft.	Discharge Pressure - PSI					Shut-off Pressure PSI
			30	35	40	45	50	
			US Gallons per Hour/Minute					
1/3 HP	18-1200-12 Code 1017	5	450/7.5	420/7	370/6	290/6	200/3.5	62
		10	400/6.5	360/6	320/5.5	250/4	175/3	60
		15	340/5.5	330/5.5	300/5	230/4	150/2.5	58
		20	280/4.5	270/4.5	250/4	190/3	110/2	56
		25	190/3	190/3	180/3	130/2	80/1.5	54
1/2 HP	18-1293-04 Code 0821	5	710/12	710/12	620/10.5	480/8	350/6	63
		10	625/10.5	620/10.5	540/9	410/7	300/5	61
		15	535/9	530/9	480/8	360/6	240/4	59
		20	440/7.5	430/7	410/7	300/5	190/3	57
		25	315/5.6	315/5.5	310/5	220/3.5	140/2.5	55
3/4 HP	18-1248-18 Code 1028	5	1100/18.5	1060/17.5	930/15.5	760/12.5	580/9.5	61
		10	990/16.5	950/16	840/14	680/11.5	500/8.5	59
		15	860/14.5	840/14	770/13	610/10	400/6.5	57
		20	700/11.5	690/11.5	620/10.5	510/8.5	300/5	55
		25	495/8.5	495/8.5	450/7.5	410/7	170/3	53

Notes: The appropriate shallow well injector is included with each model.

Pressure Switch Pre-Set 30-50 PSI

Pump Tappings:

Suction Pipe - 1-1/4" NPT

Discharge Pipe - 3/4" NPT

Pressure Pipe - 1" NPT (applies only to deep well installations)

Maximum pump working pressure is 150 PSI.

Convertible Jet Pumps

C Series Performance Charts

Deep Well Performance-with Parallel Pipe Injector (4" min. i.d. well)

HP	Injector Order No.	Total Suction Lift ft.	Discharge Pressure - PSI					Shut-off Pressure PSI
			30	35	40	45	50	
			U.S. Gallons per Hour/Minute					
1/3 HP	Cast Iron 147E-0916	20	370/6	290/5	240/4	190/3	140/2	62
		30	310/5	240/4	190/3	150/2.5	110/2	60
	Bronze 146E-0916	40	240/4	190/3	160/2.5	110/2	70/1	58
		50	200/3.5	150/2.5	110/2	70/1	-	56
	Cast Iron 147E-0914	60	160/2.5	120/2	80/1.5	-	-	54
		60	190/3	160/2.5	130/2	100/1.5	90/1.5	63
		70	150/2.5	130/2	100/1.5	80/1	50/1	61
		80	130/2	110/2	80/1	60/1	-	59
Bronze 147E-0914	90	100/1.5	80/1	60/1	-	-	57	
1/2HP	Cast Iron 147E-1018	20	630/10.5	510/8.5	430/7	350/6	280/4.5	61
		30	510/8.5	410/7	330/5.5	260/4	210/3.5	59
	Bronze 147E-1018	40	420/7	330/5.5	270/4.5	210/3.5	150/2.5	57
		50	340/5.5	280/4.5	230/4	170/3	110/2	55
	Cast Iron 147E-1117	60	260/4.5	220/3.5	170/3	120/2	60/1	53
		60	300/5	240/4	200/3.5	180/3	140/2.5	70
		70	240/4	200/3.5	180/3	150/2.5	120/2	66
		80	220/3.5	180/3	150/2.5	120/2	80/1.5	61
	Bronze 147E-1117	90	170/3	140/2.5	110/2	80/1.5	50/1	56
		90	170/3	140/2.5	110/2	80/1.5	60/1	64
	Cast Iron 147E-1115	100	140/2.5	110/2	90/1.5	60/1	40/0.5	60
		110	110/2	80/1.5	60/1	40/0.5	-	56
Bronze 147E-1115	120	90/1.5	60/1	40/0.5	-	-	52	
3/4 HP	Cast Iron 147E-1124	20	960/16	840/14	710/12	600/10	470/8	69
		30	830/14	720/12	600/10	470/8	350/6	64
	Bronze 147E-1124	40	700/11.5	590/10	460/7.5	350/6	230/4	59
		50	600/10	480/8	360/6	240/4	120/2	55
	Cast Iron 147E-1019	60	460/7.5	350/6	240/4	120/2	-	50
		50	570/9.5	500/8.5	440/7.5	380/6.5	320/5.5	74
		60	480/8	420/7	360/6	300/5	240/4	70
		70	410/7	350/6	290/5	230/4	180/3	66
	Bronze 147E-1019	80	350/6	290/5	230/4	180/3	120/2	61
		90	270/4.5	220/3.5	160/2.5	120/2	70/1	56
	Cast Iron 147E-0914	80	300/6	250/4	210/3.5	180/3	170/3	87
		90	240/4	210/3.5	200/3.5	180/3	160/2.5	83
		100	210/3.5	200/3.5	180/3	160/2.5	130/2	80
		110	200/3.5	180/3	160/2.5	130/2	110/2	76
	Bronze 147E-0914	120	160/2.5	150/2.5	130/2	110/2	90/1.5	72

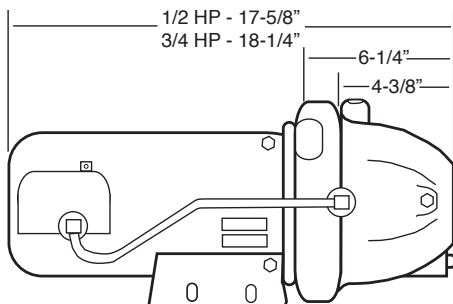
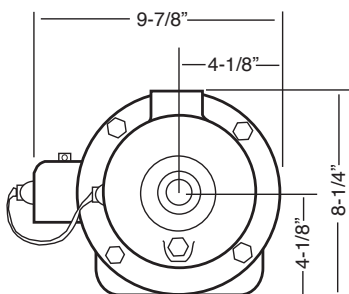


SWJ Series



NRTL/C
CSA 108
UL 778

Dimensions



Note: Dimensions will vary according to motor manufacturer.

Features:

- Available in non-corrosive thermoplastic or cast iron models.
- Replaceable in-line nozzle/venturi design for maximum hydraulic efficiency and ease of service.
- Self cleaning, anti-clogging injector screen.
- Thermoplastic impeller and diffuser ensure increased hydraulic performance.
- Floating stainless steel eye seal for maximum performance and efficiency.
- Square-flange mounting provides easy serviceability without disturbing the plumbing.
- Built-in drain plug for easy winterizing and servicing.
- Mechanical shaft seal allows positive protection against leaking.
- Order pressure gauge separately.
- Pressure switch is installed and set at 20/40 PSI.
- Handles water temperatures up to 120°F and working pressure up to 75 PSI.
- 1" FNPT discharge, 1-1/4" FNPT suction.

Shallow Well Jet Pumps

Performance Chart

HP	Total Suction Lift ft.	Discharge Pressure - PSI								Shut-off Pressure PSI
		30	35	40	45	50	55	60	65	
1/2	5	12.0	10.7	9.1	7.2	4.9	2.8	0.9	-	62
	10	-	10.0	8.4	6.3	3.9	1.9	-	-	60
	15	-	-	7.7	5.3	3.0	0.9	-	-	57
	20	-	-	6.4	4.3	2.2	0.2	-	-	55
	25	-	-	5.0	3.3	1.4	-	-	-	53
3/4	5	-	16.0	14.4	12.6	10.6	8.3	5.0	1.8	68
	10	-	-	13.5	11.8	9.7	6.9	3.6	0.2	65
	15	-	-	-	11.0	8.8	5.4	2.2	-	63
	20	-	-	-	9.0	7.2	3.9	0.8	-	60
	25	-	-	-	-	5.6	2.3	-	-	58

PLASTIC PUMP BODY					
Model	HP	Discharge x Suction	Voltage	PUMP UNIT	
				Order No.	Wt.
5SFCWJP-S	1/2	1" x 1-1/4"	115/230	91070005	23
7SFCWJP-S	3/4	1" x 1-1/4"	115/230	91070007	31

CAST IRON PUMP BODY					
Model	HP	Discharge x Suction	Voltage	PUMP UNIT	
				Order No.	Wt.
5SFCWJC-S	1/2	1" x 1-1/4"	115/230	91070500	28
7SFCWJC-S	3/4	1" x 1-1/4"	115/230	91070700	34

Convertible Jet Pumps

Jet Pump Accessories

Ordering Information

DEEP WELL 2-PIPE INJECTORS FOR 4" WELLS			
Pump Model	Suction Lift	Order No.	Wt.
5SFCWJPRO-S	50 -100 Ft.	147E0915	7
7SFCWJPRO-S	30 - 60 Ft.	147E1023	
5SFCWJ-S	60 -90 Ft.	147E1115	
	30 - 60 Ft.	147E1118	
7SFCWJPRO-S	50 - 100 Ft.	147E1118	
7SFCWJ-S, 1SFCWJ-S	60 - 90 Ft.	147E1118	
5SFCWJPRO-S	30 - 60 Ft.	147E1120	
1SFCWJPRO-S	50 - 100 Ft.	147E1120	
7SFCWJ-S, 1SFCWJ-S	30 - 60 Ft.	147E1123	
1SFCWJPRO-S	30 - 60 Ft.	147E1125	

Injector kit includes: Cast iron body, thermoplastic nozzle & venturi, bronze footvalve.

Accessory Description	Order No.	Wt.
4-in-1 Footvalve, 3/4 - 1-1/2"	21339	1
Cast Iron Horizontal Check Valve, Poppet Type Bronze, 1-1/4"F x 1-1/4"M	91980680	4
SO125 Offset Suction/Intake Strainer, Thermoplastic, 1-1/4" x 1-1/4"	94070210	8

Note: For touch up paint see your local Sherwin Williams paint store for part #1415066.



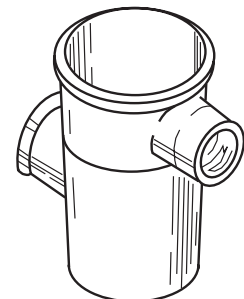
Parallel Pipe Injector



4 in 1 Footvalve



Horizontal Check Valve



Offset/Intake Strainer

Convertible Jet Pumps

Jet Pump Accessories

Ordering Information

SCREW-IN SHALLOW WELL INJECTORS			
Pump Model	Inj. Code	Order No.	Weight
5SFCWJH-S	1017	18120012R	0.5
5SFCWJ-S, 7SFCWJH-S	1023	18124701R	
1SFCWJH-S			
7SFCWJ-S	1034	18124800R	
5SFCWJPRO-S, 1SFCWJPROH-S	1024	18127803R	
7SFCWJPRO-S	1027	18127902R	
1SFCWJPRO-S	1028	18128009R	
1SFCWJ-S	1234	18170100R	

PRESSURE SWITCHES			
Description	PSI Setting	Order No.	Weight
Global Series	20/40	PRSW2040	1
	30/50	PRSW3050	1
	40/60	PRSW4060	1
Furnas Pro Series	20/40	69ES1AZ2040	1
	30/50	69ES1AZ3050	1
	40/60	69ES1AZ4060	1
Pressure Gauge, 0 -100 PSI, 1/4" b.m.		9193-4018-R	1



Shallow Well Injector



Furnas Pressure Switch



Global Pressure Switch



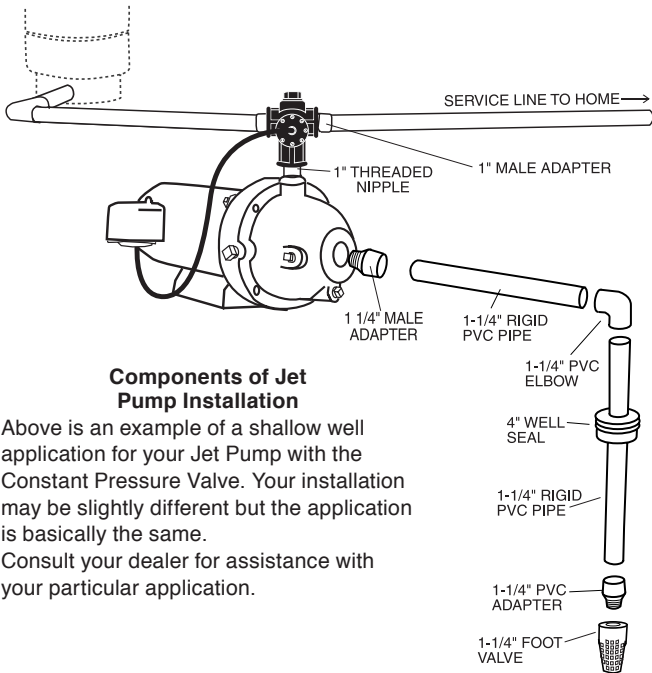
Pressure Gauge

AQ80



Features:

- Constant pressure at flow rates of 1/2 GPM or higher, eliminating the annoying pressure fluctuations common with pump/tank systems.
- Pump runs continuously while service is needed, eliminating short cycling, the major cause of motor wear and failure.
- Handles flow rates up to 20 gpm. For flow rates above 20 gpm, AquaGenies may be connected in parallel to handle each 20 gpm increment.
- Retrofittable to any existing pump & pressure tank system.

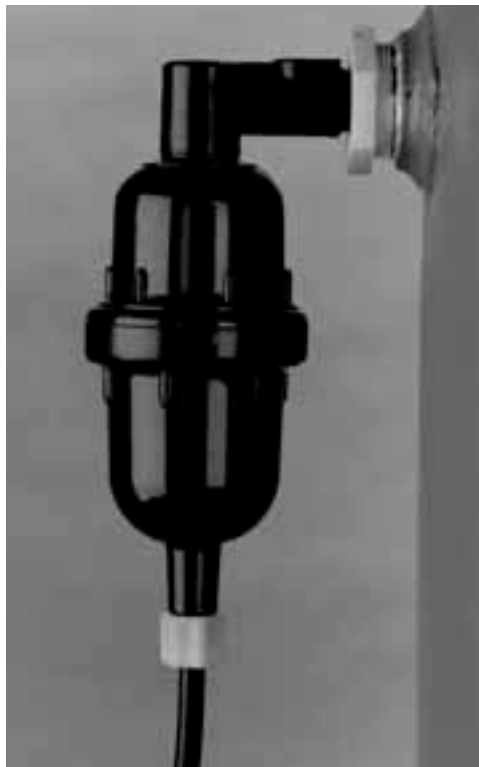


AQ80

Works at any flow rate **above 1/2 GPM**. Provides **constant pressure** at each specific flow rate delivered by the pump. (Pressure will be slightly different for each flow rate.) A pressure tank is recommended for optimum performance. **Maximum operating pressure: 80 PSI**. (If installed with a submersible pump that develops more than 80 PSI at the inlet of the AQ80, use a pressure regulator to protect the AquaGenie from excessive pressure.)

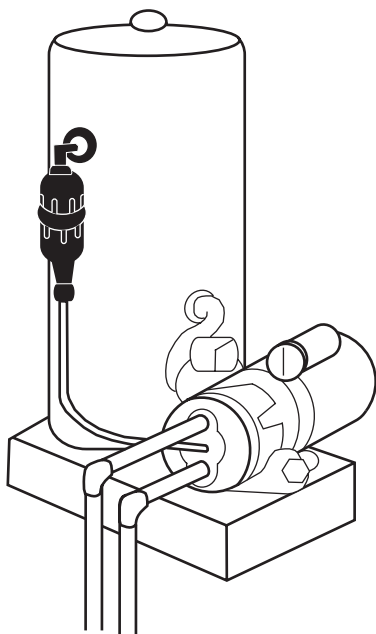
Model	Preset Outlet Pressure	Inlet	Outlet	Tank Connection	Max. Inlet Pressure	Order No.	Weight
AQ80	None	1"	1"	1"	80 PSI	91987321	2

225A Jet Charger



Features:

- Specifically designed to prevent water-logging typically associated with a conventional galvanized pressure tank.
- Automatically maintains a proper balance of air and water volume in the tank.
- Eliminates frequent starts and stops, thus extending motor life and reducing power consumption.
- Eliminates tank draining normally required of waterlogged tanks.
- Eliminates need for other costly equipment.
- Unit consists of 225A jet charger, reducer bushing, adapter nut, 3/8" polyethylene tubing and male connector.



ORDERING INFORMATION

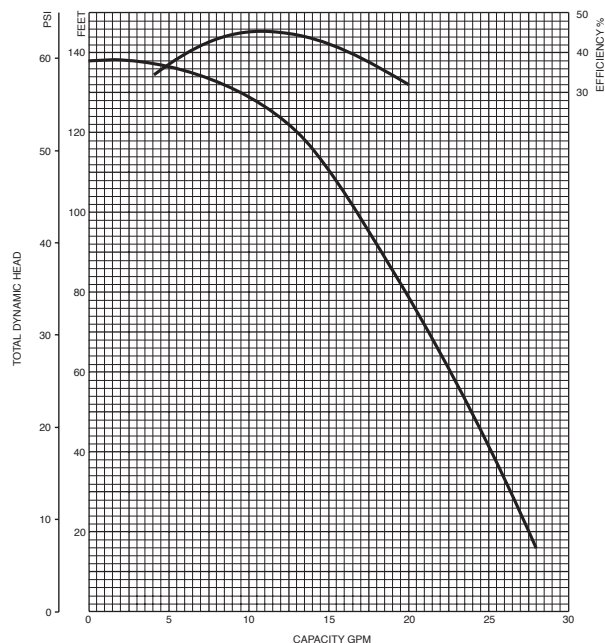
Model No.	Ordering No.	Weight
225A	9190-8012	2

Legacy EFFLUENT PUMP



Features:

- Ideal for effluent pumping applications.
- Thermoplastic discharge and motor bracket are tough and non-corrosive. They cannot be harmed or damaged by minerals, metals, and other substances typically found in water.
- Ceramic bearing sleeve has proven its durability with years of flawless performance.
- Hex rubber bearing has an extra large surface to assure shaft stability and multiple flow channels to keep small particulates away from bearing surfaces.
- Celcon® stage disk allows for close tolerances for increased performance.
- Stainless steel upthrust washer prevents excessive wear in severe applications.
- Built in check valve that can be easily removed if needed.
- Built in suction screen prevents debris from clogging impellers and provides full flow performance.
- Powered by Franklin corrosion-resistant motors with 10' SJOW lead.
- Available in 1/2HP, 115V and 230V single phase models.



HIGH HEAD 4" SUBMERSIBLE EFFLUENT PUMPS with 1-1/4" DISCHARGE

Model	HP	Volts	Cord Type	Order No.	Wt.
T5LY16EFF5-S1	1/2	115	10' SJOW	93461605	28
T5LY16EFF5-S2	1/2	230	10' SJOW	93462605	28

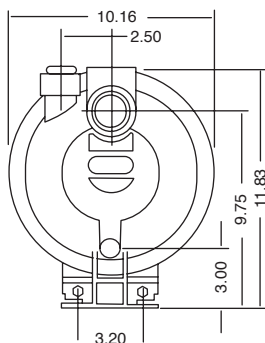
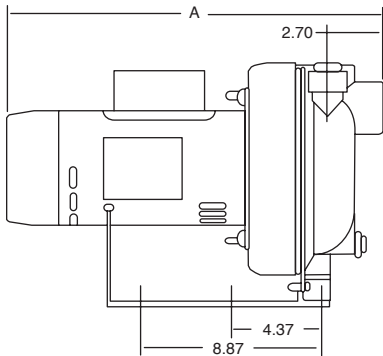
TY Series-Thermoplastic



The self-priming sprinkler pump is ideal as a lawn sprinkler pump, for general recirculation.

Features:

- Self-priming with large 1" priming port.
- Non-corrosive thermoplastic case with engineerd-flow, high-efficiency, low-noise design.
- High performance, thermoplastic hydraulics, including floating eye seal and stainless steel impeller wear ring.
- 1-1/2" FNPT threaded suction and discharge.
- Built in drain plug to facilitate servicing/winterizing.
- Square-flange motor design.
- Easy motor toggle switch changes from 230V to 115V without rewiring. (Not available on 20HP)
- Available in 3/4, 1, 1-1/2, and 2HP.
- Handles water temperatures up to 120°F and working pressure up to 75 PSI.



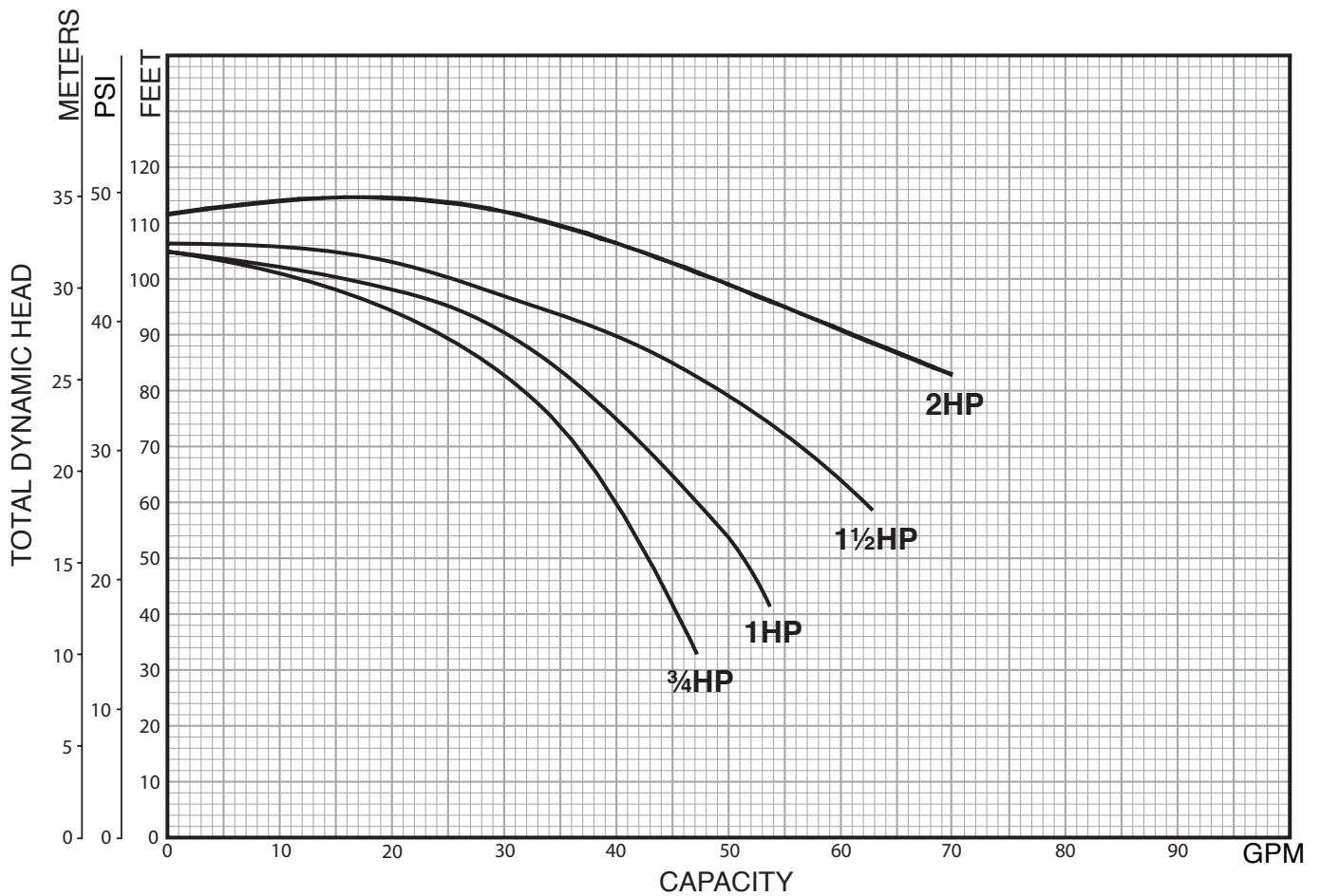
Dimensions

HP	Frame	A
3/4	48	18-1/4"
1	48	18-1/2"
1-1/2	48	18-3/8"
2	56	19-7/8"

SELF-PRIMING LAWN SPRINKLER PUMPS				
Model	HP	Voltage	PUMP UNIT	
			Order No.	Wt.
7SFTY	3/4	115/230	93352007	37
10SFTY	1	115/230	93352010	38
15SFTY	1-1/2	115/230	93352015	40
20SFTY	2	115/230	93352020	43

Self-Priming Sprinkler Pumps

TY Series-Thermoplastic Performance Curves & Charts



HP	Total Suction Lift in feet	Discharge PSI					Shut off Pressure (PSI)
		20	25	30	35	40	
		Capacity in GPM					
3/4	5	43	39	35	28	16	42
	10	41	37	32	23	-	40
	15	39	35	29	18	-	38
	20	38	33	25	-	-	35
1	5	50	45	40	33	21	43
	10	49	44	37	29	7	41
	15	46	41	35	24	-	39
	20	44	39	31	12	-	36
1-1/2	5	65	60	54	44	30	44
	10	64	57	50	38	21	42
	15	61	54	46	31	7	40
	20	58	50	41	23	-	37
2	5	79	76	72	65	52	46
	10	78	74	69	59	45	44
	15	76	72	67	54	38	42
	20	74	70	63	47	20	39

TYCI Series-Cast Iron



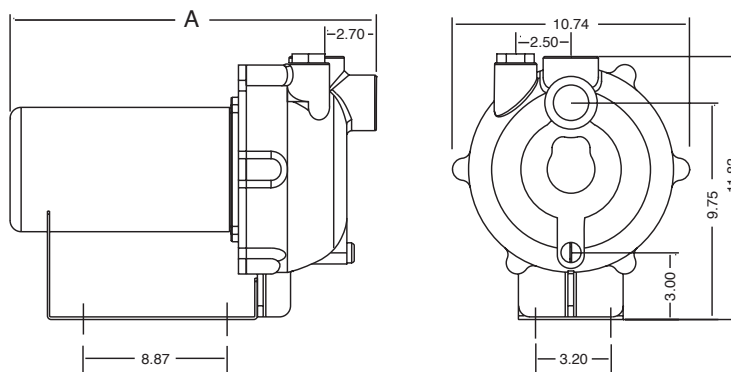
Features:

- Heavy duty cast iron case with engineered high efficiency, quiet run design.
- High performance, thermoplastic hydraulics, including floating eye seal and stainless steel impeller wear ring.
- 1-1/2" FNPT threaded suction and discharge ports.
- Self-priming with large 1" priming port.
- Built in drain plug to facilitate servicing/winterizing.
- Handles water temperatures up to 120°F and working pressure up to 75 PSI.
- All models have 2 compartment motors.
- Easy motor toggle switch changes from 230V to 115V without rewiring. (Not available on 20HP)

Dimensions

HP	Frame	A
3/4	48	18-1/4"
1	48	18-1/2"
1-1/2	48	18-3/8"
2	56	19-7/8"

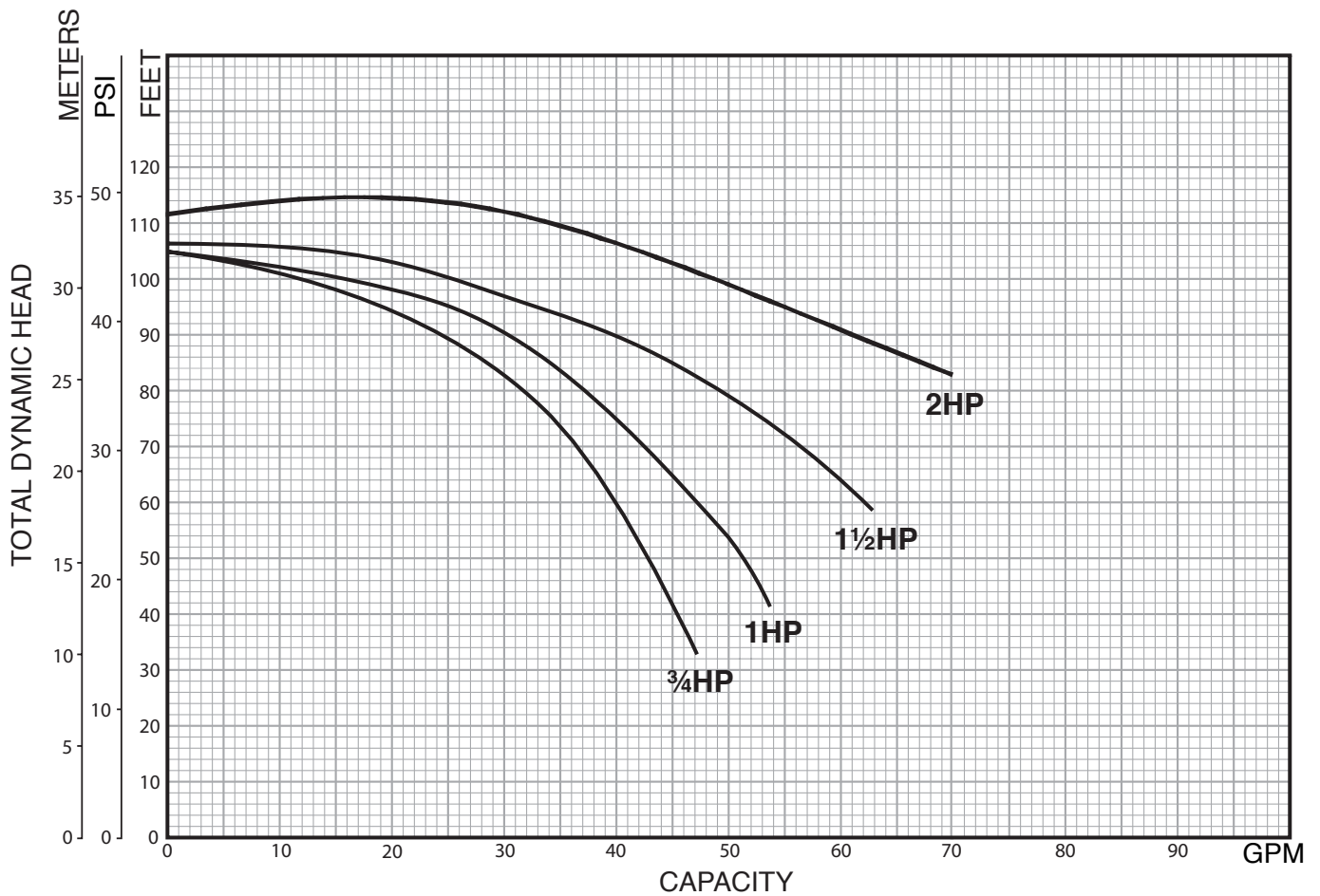
Note: Motor dimensions will vary according to motor manufacturer.



SELF-PRIMING LAWN SPRINKLER PUMPS				
Model	HP	Voltage	PUMP UNIT	
			Order No.	Wt.
7SFTYCI	3/4	115/230	93353007	51
10SFTYCI	1	115/230	93353010	66
15SFTYCI	1-1/2	115/230	93353015	82
20SFTYCI	2	115/230	93353020	99

Self-Priming Sprinkler Pumps

TY Series-Cast Iron Performance Curves & Charts



HP	Total Suction Lift in feet	Discharge PSI					Shut off Pressure (PSI)
		20	25	30	35	40	
		Capacity in GPM					
3/4	5	43	39	35	28	16	42
	10	41	37	32	23	-	40
	15	39	35	29	18	-	38
	20	38	33	25	-	-	35
1	5	50	45	40	33	21	43
	10	49	44	37	29	7	41
	15	46	41	35	24	-	39
	20	44	39	31	12	-	36
1-1/2	5	65	60	54	44	30	44
	10	64	57	50	38	21	42
	15	61	54	46	31	7	40
	20	58	50	41	23	-	37
2	5	79	76	72	65	52	46
	10	78	74	69	59	45	44
	15	76	72	67	54	38	42
	20	74	70	63	47	20	39

HJ Series

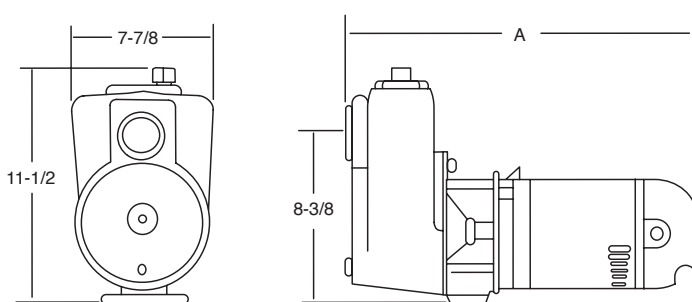


The HJ Series Lawn Sprinkler Pumps are designed to handle a large capacity of water at high pressure. They are ideal for continuous use on lawn sprinkler systems, for garden irrigation, for boosting city main pressures and for recirculating water.

Features:

- Stub shaft motor with bronze coupling and bronze impeller offers easy serviceability and premium construction features.
- Cast iron pump case. Large capacity case ensures excellent self-priming performance.
- Thermoplastic diffuser for improved pressures.
- Mechanical shaft seal ensures leakproof fit and continuous water lubrication.
- Two-compartment motor for easy service. All motors are single phase 115/230V.

Dimensions



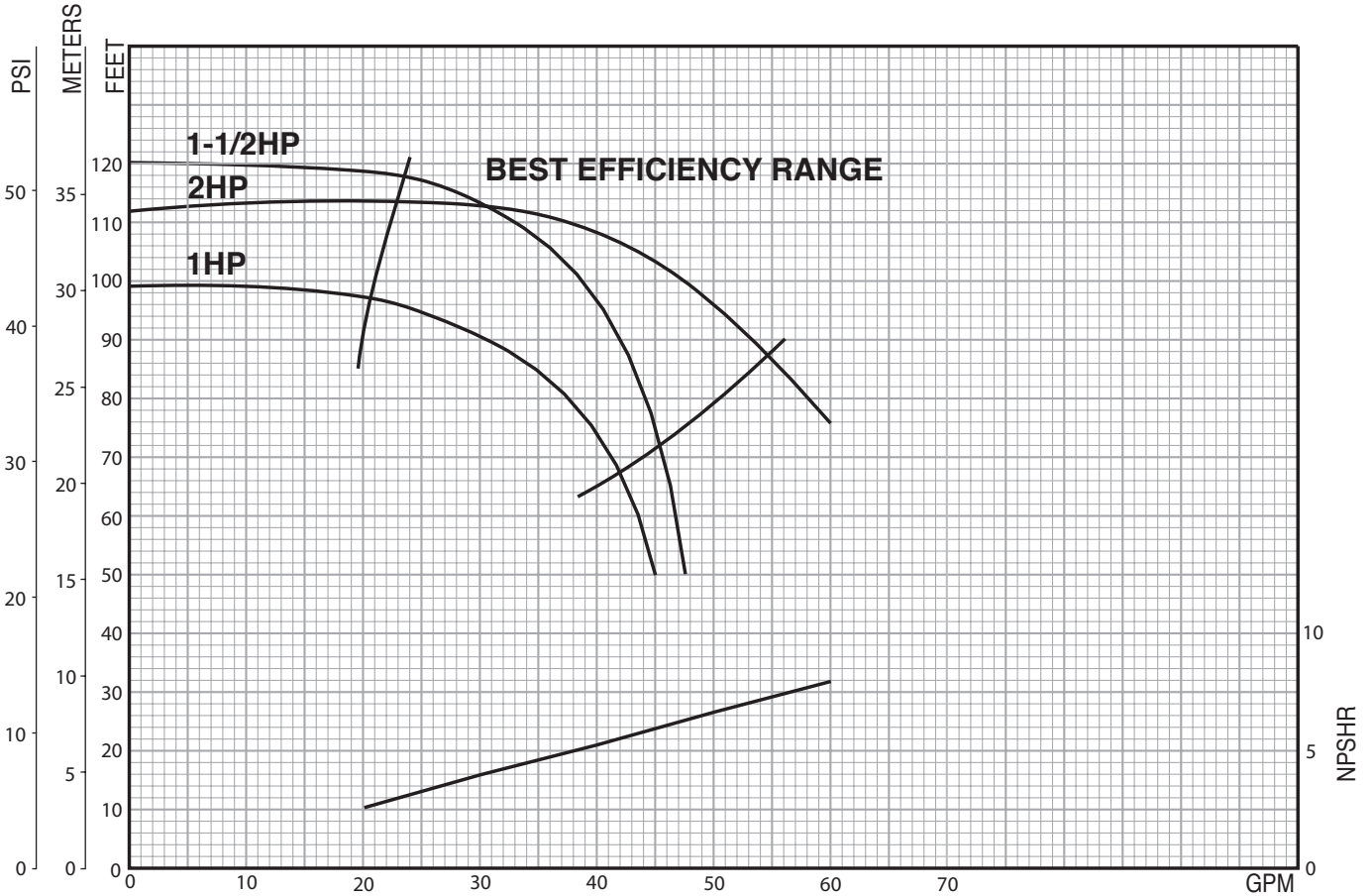
Note: Dimensions will vary according to motor manufacturer.

HP	A
1	17-5/8"
1-1/2	18-5/8"
2	19-5/8"

HJ SERIES LAWN SPRINKLER PUMPS					
Model	HP	Discharge x Suction	Voltage	Pump Unit	
				Order No.	Wt.
1SFHJM1-S	1	1-1/2" x 1-1/2"	115/230	93351876	56
15SFHJM1-S	1-1/2	1-1/2" X 2"	115/230	93351884	61
2SFHJM1-S	2	1-1/2" X 2"	115/230	93351892	65

Lawn Sprinkler Pumps

HJ Series-Performance Curves & Charts



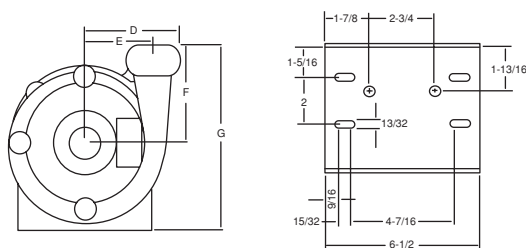
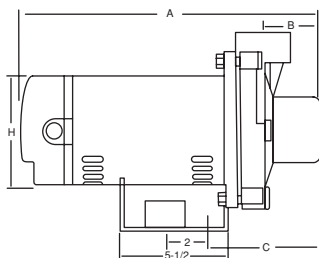
High Flow Full Service Factor

HP	Total Suction lift in Ft.	Discharge PSI					Shut Off Pressure (PSI)
		20	25	30	35	40	
		Capacities in GPM					
1	5	44	43	40	33	22	41
	10	41	39	36	30	-	41
	15	38	37	34	25	-	39
	20	34	33	30	-	-	36
1-1/2	5	45	44	44	43	41	52
	10	44	44	43	42	40	48
	15	40	40	39	38	36	46
	20	37	36	36	34	32	44
2	5	61	60	59	56	50	49
	10	59	58	56	53	45	48
	15	57	57	55	51	40	45
	20	50	48	47	44	35	42

DDD/DDS Series



NRTL/C
CSA108
UL778



Features:

- Available in Cast Iron(DDD Series) or Stainless Steel(DDS Series) models.

DDD Series Features:

- Cast iron seal plate for dependable high temperature operation.
- Dry run and loss-of-prime resistant
- Glass-filled thermoplastic impeller for increased efficiency and dependable high temperature operation.
- Back pull-out design provides access to internal parts without disturbing the plumbing.
- Mechanical shaft seal insures a leakproof fit and continuous water lubrication.
- Maximum temperature limit of 140°F and maximum working pressure of 150 PSI.
- Square flange open drip-proof motor for easy service and reliability.
- Available in single and three phase models.
- Enclosed impeller design for increased efficiencies.

- Chemical resistant thermoplastic impeller.

DDS Series Features:

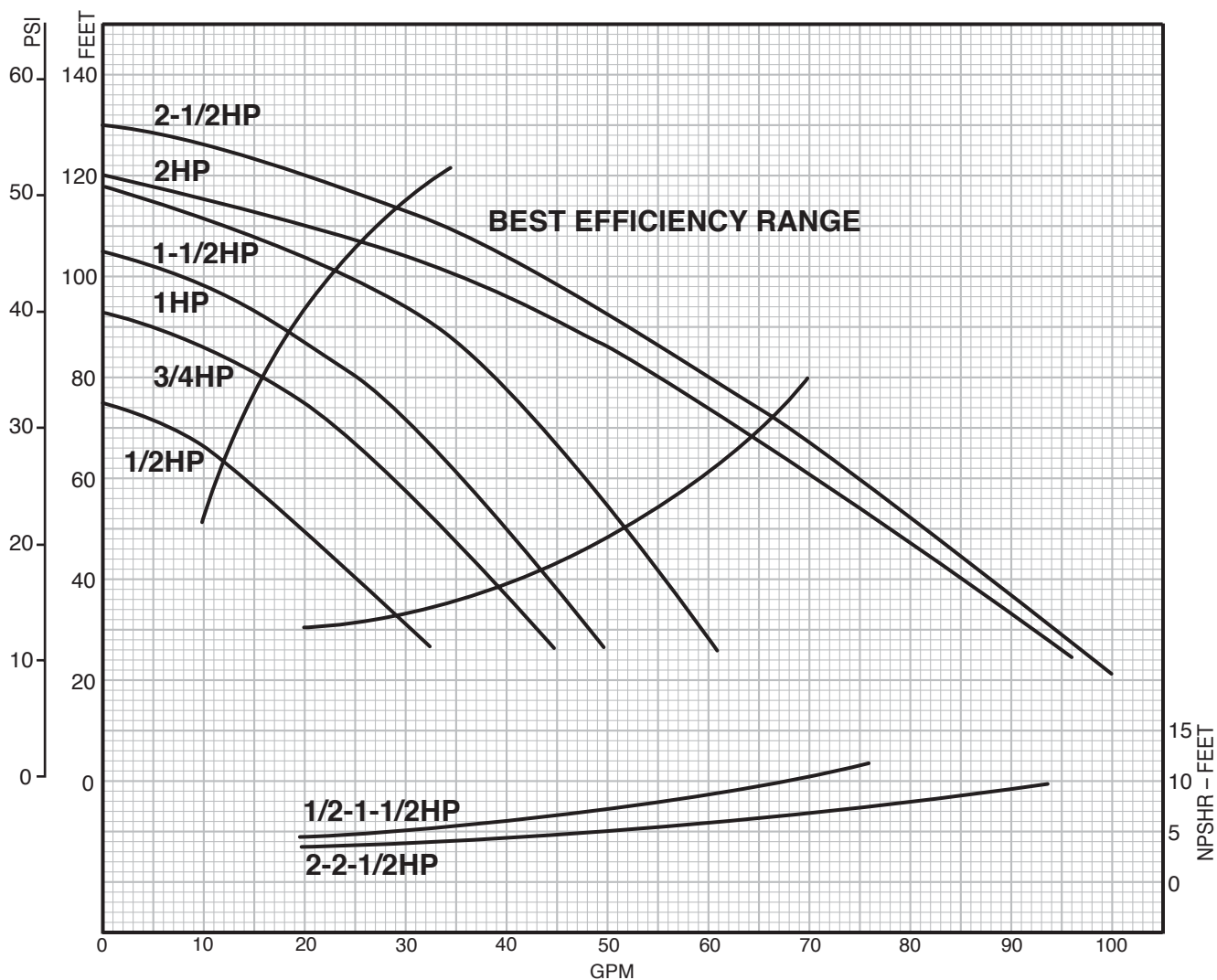
All of the DDD Series features above except:

- Viton Mechanical shaft seal for added chemical resistance.
- 304SS Case and seal plate.

HP	Disch. (NPT)	Suct. (NPT)	A	B	C	D	E	F	G	H
1/2	1	1-1/4	14-11/16	2-3/8	5-5/16	4-7/16	3-1/2	4-5/8	8-3/4	5-1/2
3/4	1	1-1/4	14-11/16	2-3/8	5-5/16	4-7/16	3-1/2	4-5/8	8-3/4	5-1/2
1	1	1-1/4	14-11/16	2-3/8	5-5/16	4-7/16	3-1/2	4-5/8	8-3/4	5-1/2
1-1/2	1	1-1/4	15-3/16	2-3/8	5-5/16	4-7/16	3-1/2	4-5/8	8-3/4	5-1/2
2	1-1/4	1-1/2	16-11/16	2-13/16	6-1/8	5	3-9/16	5	9-1/8	6-5/16
2-1/2	1-1/2	2	16-11/16	2-13/16	6-1/8	5	3-9/16	5	9-1/8	6-5/16

End Suction Centrifugal Pumps

DDD/DDS Series-Performance Curves & Charts



HP	Discharge x Suction	CAPACITIES GPM											Shut Off Head (Feet)
		Total Head in Feet											
		30	35	40	45	50	60	70	80	90	100	110	
1/2	1" x 1-1/4"	30	27	25	22	19	14	-	-	-	-	-	74
3/4	1" x 1-1/4"	-	41	38	36	34	29	23	16	-	-	-	93
1	1" x 1-1/4"	-	-	-	42	40	36	31	25	18	-	-	105
1-1/2	1" x 1-1/4"	-	-	-	-	52	47	44	39	34	25	-	118
2	1-1/4" x 1-1/2"	-	-	-	-	-	-	64	56	47	36	23	121
2-1/2	1-1/2" x 2"	-	-	-	-	-	-	68	61	53	45	35	131

Note: All performance data based on rated nameplate voltage.

End Suction Centrifugal Pumps

DDD Series- Cast Iron

DDD SERIES CENTRIFUGAL PUMP UNITS								
Series	Discharge x Suction	HP	Single Phase			Three Phase - 208-230/460 Volt		
			Model No.	Order No.	Wt.	Model No.	Order No.	Wt.
DDD	1" x 1-1/4"	1/2	5SFDDD1-S	93146928	27	5SFDDD1-T	93147991	27
		3/4	7SFDDD1-S	93146936	31	7SFDDD1-T	93148007	31
		1	1SFDDD1-S	93146944	33	1SFDDD1-T	93148015	33
		1-1/2	15SFDDD1-S	93146951	38	15SFDDD1-T	93148023	38
	1-1/4" x 1-1/2"	2	2SFDDD1-1/4-S	93146969	48	2SFDDD1-1/4-T	93148031	48
	1-1/2" x 2"	2-1/2	25SFDDD1-1/2S	93146977	46	25SFDDD1-1/2-T	-	-

DDS Series- Stainless Steel

DDS SERIES CENTRIFUGAL PUMP UNITS								
Series	Discharge x Suction	HP	Single Phase			Three Phase - 208-230/460 Volt		
			Model No.	Order No.	Wt.	Model No.	Order No.	Wt.
DDS	1" x 1-1/4"	1/2	5SFDDS1-S	93148056	25	5SFDDS1-T	93148098	25
		3/4	7SFDDS1-S	93148064	29	7SFDDS1-T	93148106	29
		1	1SFDDS1-S	93148072	31	1SFDDS1-T	93148114	31
		1-1/2	15SFDDS1-S	93148080	36	15SFDDS1-T	93148122	36

Pump End Kits

Series	Discharge x Suction	HP	Order No.	Wt.
DDD	1" x 1-1/4"	1/2-1-1/2	93144137R348	12
DDS			93144137R378	

HB4 Series



Features:

- Available in Cast Iron or Stainless Steel models.
- Boosting water pressure from either city mains or private water systems
- Pressure washing buildings and floors
- Poultry Houses
- Spray Cooling Equipment
- Lawn and Crop Irrigation
- Evaporative cooling system/misters
- Water Circulation
- General Purpose pumping
- Reverse Osmosis- Stainless Steel HB4
- Filtration- Stainless Steel HB4

Cast Iron Models Features:

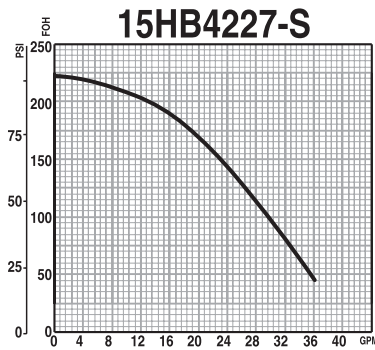
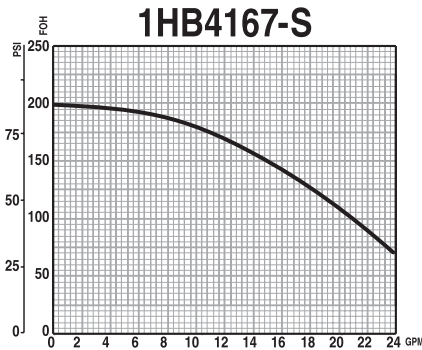
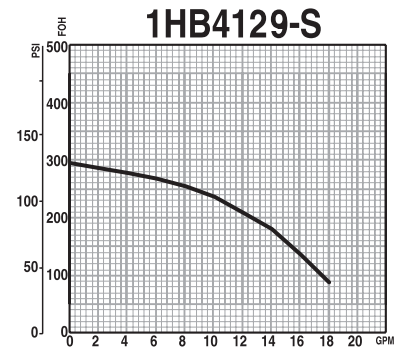
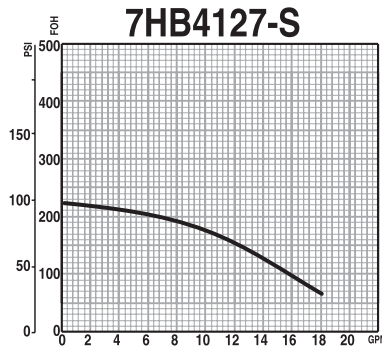
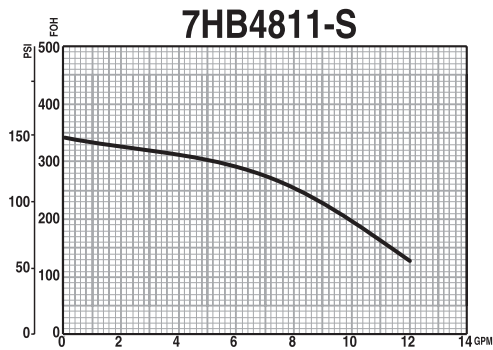
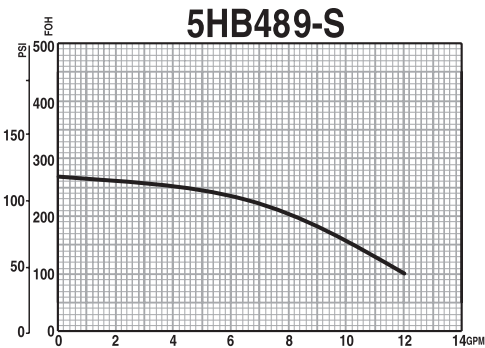
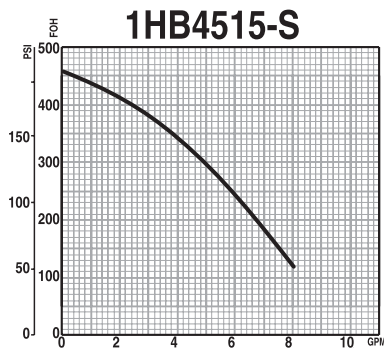
- Custom O-ring seal for reliable high pressure sealing
- Thermoplastic impellers and diffusers for increased efficiency
- Open drip-proof motors
- Standard 5/8" type 21 shaft seal
- Durable, precision machined stainless steel shell
- Field Selectable motors- 115V or 230V
- Convenient, sturdy carrying handle
- Proven ceramic discharge bearing design for high resistance to abrasive materials and corrosion
- Cast iron motor bracket and stainless steel discharge with 1"NPT
- Two piece brass coupling for easy field serviceability

Stainless Steel Models Features:

All of the Cast Iron features except:

- Stainless Steel motor bracket and discharge with 1"NPT
- Two piece stainless steel coupling for easy field serviceability
- Viton Mechanical Shaft Seal for added chemical resistance

HB4 Series-Performance Curves



HB4 Series Ordering Information

CAST IRON MODELS				
GPM	HP	Single Phase		
		Model No.	Order No.	Wt.
5	1	1SHB4F5C15-S	91250515	48
8	1/2	5SHB4F8C9-S	91250809	37
	3/4	7SHB4F8C11-S	91250811	42
12	3/4	7SHB4F12C7-S	91251207	40
	1	1SHB4F12C9-S	91251209	44
16	1	1SHB4F16C7-S	91251607	43
22	1-1/2	15SHB4F22C7-S	91252207	50

STAINLESS STEEL MODELS				
GPM	HP	Single Phase		
		Model No.	Order No.	Wt.
5	1	1SHB4F5S15-S	91254822	48
8	1/2	5SHB4F8S9-S	91254830	37
	3/4	7SHB4F8S11-S	91254848	42
12	3/4	7SHB4F12S7-S	91254855	40
	1	1SHB4F12S9-S	91254863	44
16	1	1SHB4F16S7-S	91254871	43
22	1-1/2	15SHB4F22S7-S	91254889	50

Note: Single phase 1/2 - 2HP motors rated 115/230 volts.

H4 Series



This multi-purpose pump is ideal for boosting water pressure around the home, industry or farm and is constructed with field-proven hydraulics. Available in a variety of sizes for many applications 1/3 - 3HP and 5, 10, 18 and 25GPM performance ranges.

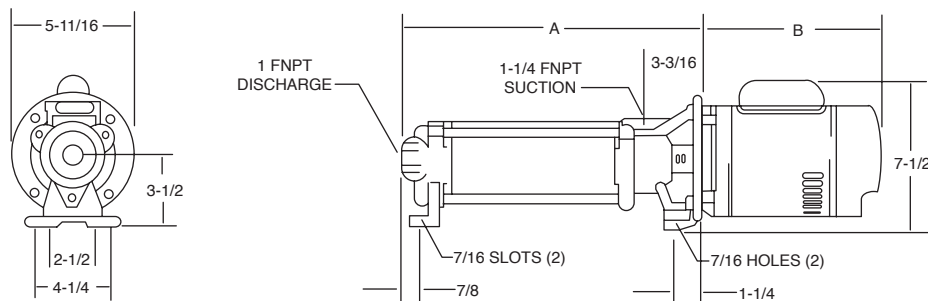
Features:

- Heavy-duty cast iron discharge housing and suction bracket for long life
- Thermoplastic impellers and diffusers are molded for increased efficiency and include floating eye seal, ceramic shaft sleeve and rubber discharge bearing
- Stainless steel shell and shaft for increased durability
- Shaft coupling for easy serviceability
- Tie rod construction for easy disassembly
- Cast iron support foot for extra stability
- Open drip-proof motors
- 1/3 and 1/2HP models have 6-foot grounded cord and carrying handle.
- Maximum water temperature is 120°F
- Maximum operating pressure is 400 PSI
- Handles up to 150 PSI incoming pressure and handles up to 10 ft. of suction lift

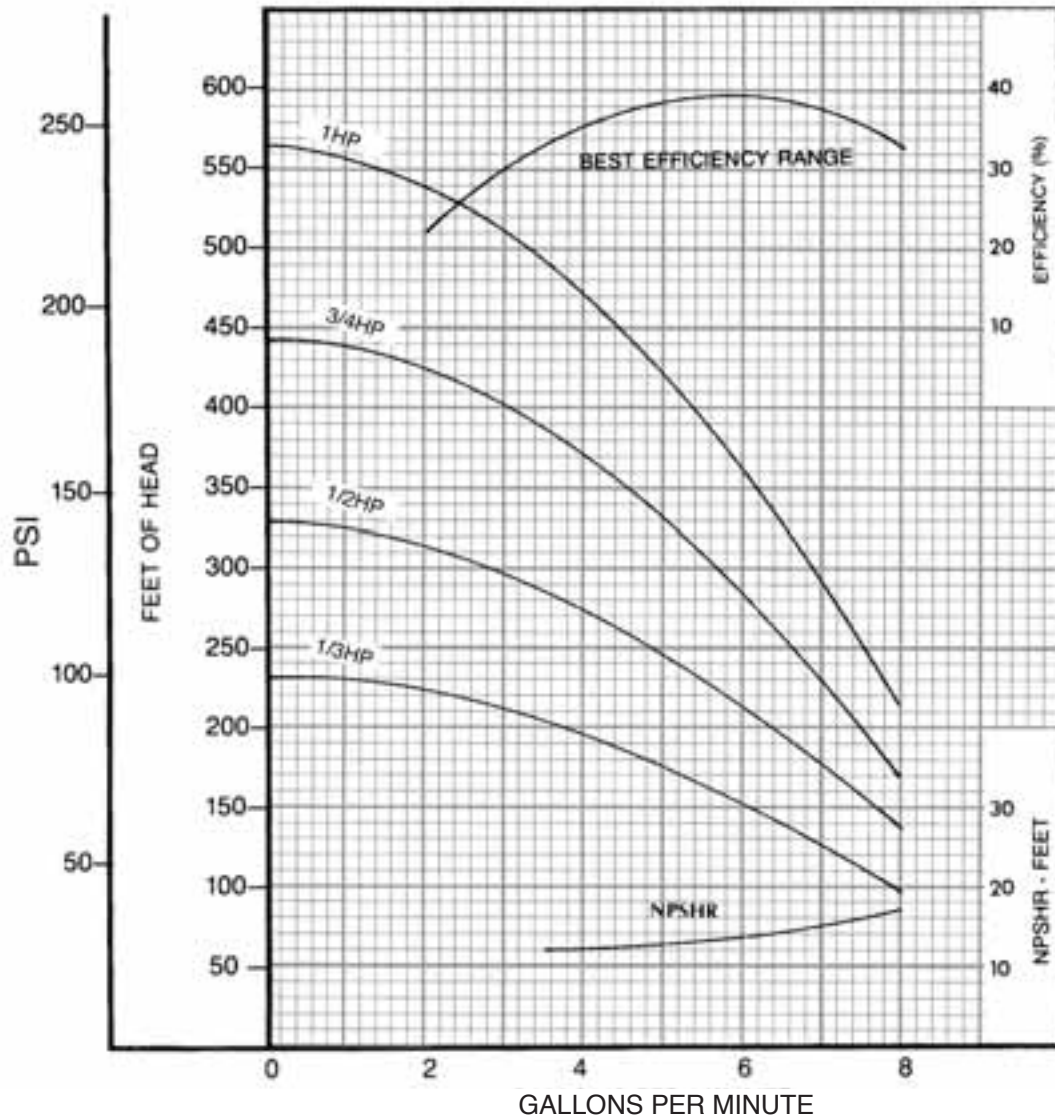
Dimensions- (in inches)

Model	A	B
3SH4F5-7	14-3/16	10.19
5SH4F5-10	16-9/16	10.44
7SH4F5-14	19-3/4	11.19
1SH4F5-18	22-13/16	11.44
3SH4F10-4	12-1/4	10.19
5SH4F10-6	14-1/16	10.44
7SH4F10-9	16-11/16	11.19
1SH4F10-12	19-3/8	11.44
15SH4F10-16	22-13/16	11.94
5SH4F18-5	13-15/16	10.44
7SH4F18-7	16-1/6	11.19
1SH4F18-9	18-3/16	11.44
15SH4F18-12	21-5/6	11.94
2SH4F18-15	24-1/2	11.66
7SH4F25-F	14-13/16	11.19
1SH4F25-6	16-1/16	11.44
15SH4F25-9	19-3/4	11.94
2SH4F25-11	22-3/16	11.66
3SH4F25-16	28-1/4	12.66

Note: Dimensions will vary according to motor manufacturer.

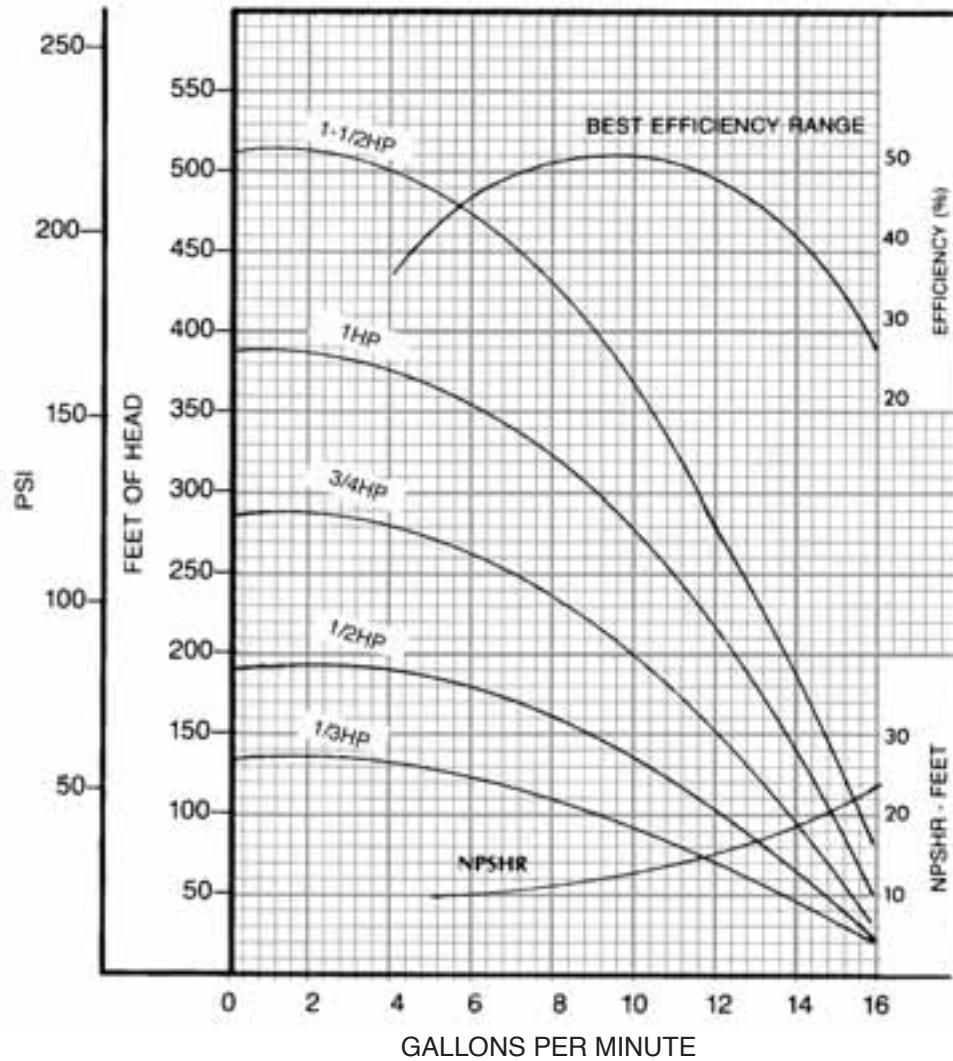


H4 5 GPM Performance Curves & Chart



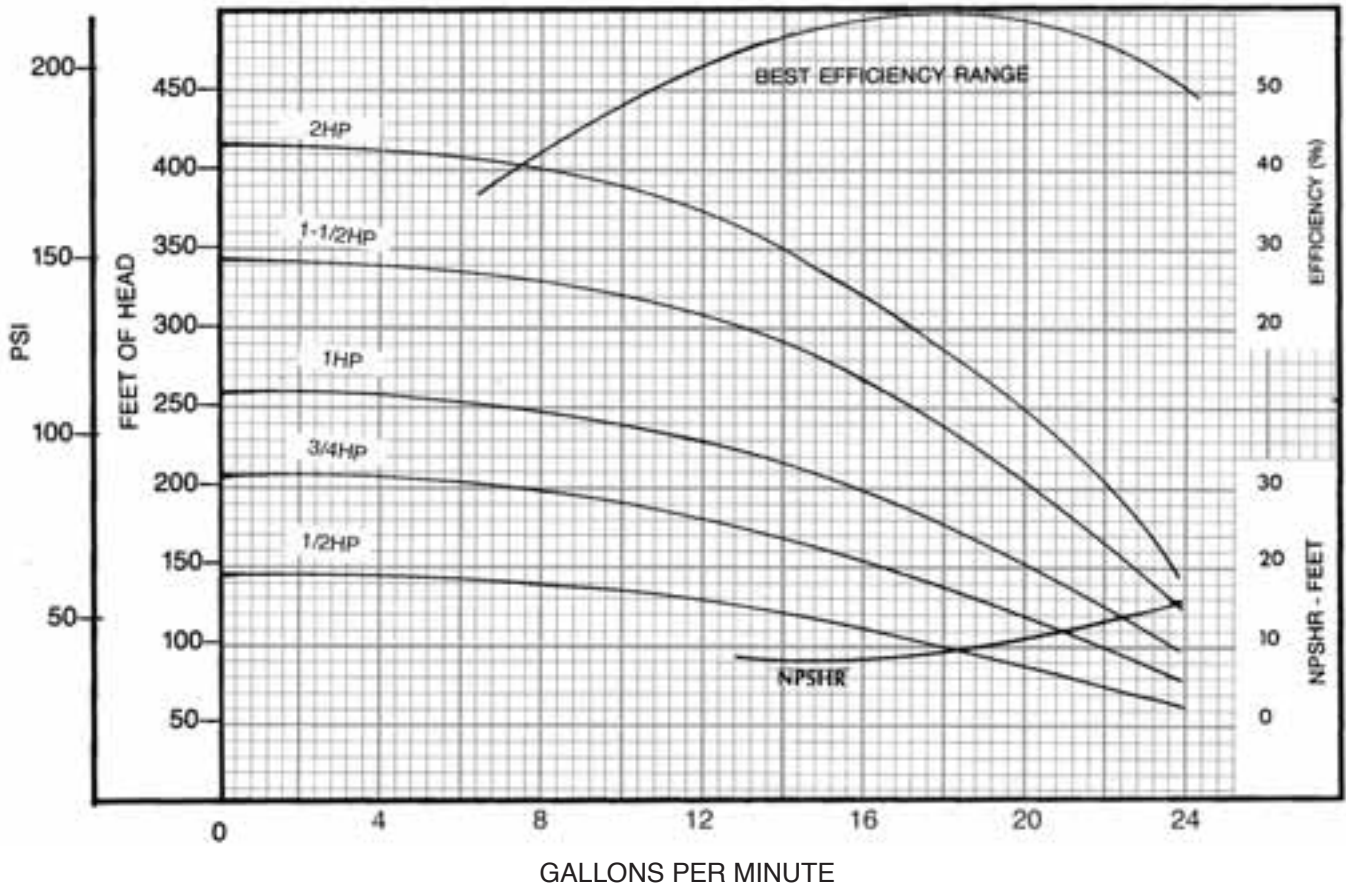
HP	Discharge Pressure at Pump with no Lift (Capacities in GPM)																				Max Pres. (PSI)		
	40	50	60	70	80	90	100	110	120	130	140	150	160	170	180	190	200	210	220	230			
1/3	8.1	7.3	6.5	5.6	4.5	3.1																98	
1/2			7.9	7.3	6.8	6.2	5.6	4.8	4.0	2.9													140
3/4					7.8	7.4	7.0	6.6	6.1	5.7	5.2	4.6	4.1	3.4	2.5								192
1							7.8	7.5	7.2	6.8	6.5	6.2	5.8	5.4	5.1	4.7	4.2	3.7	3.1	2.3			244

H4 10 GPM Performance Curves & Chart



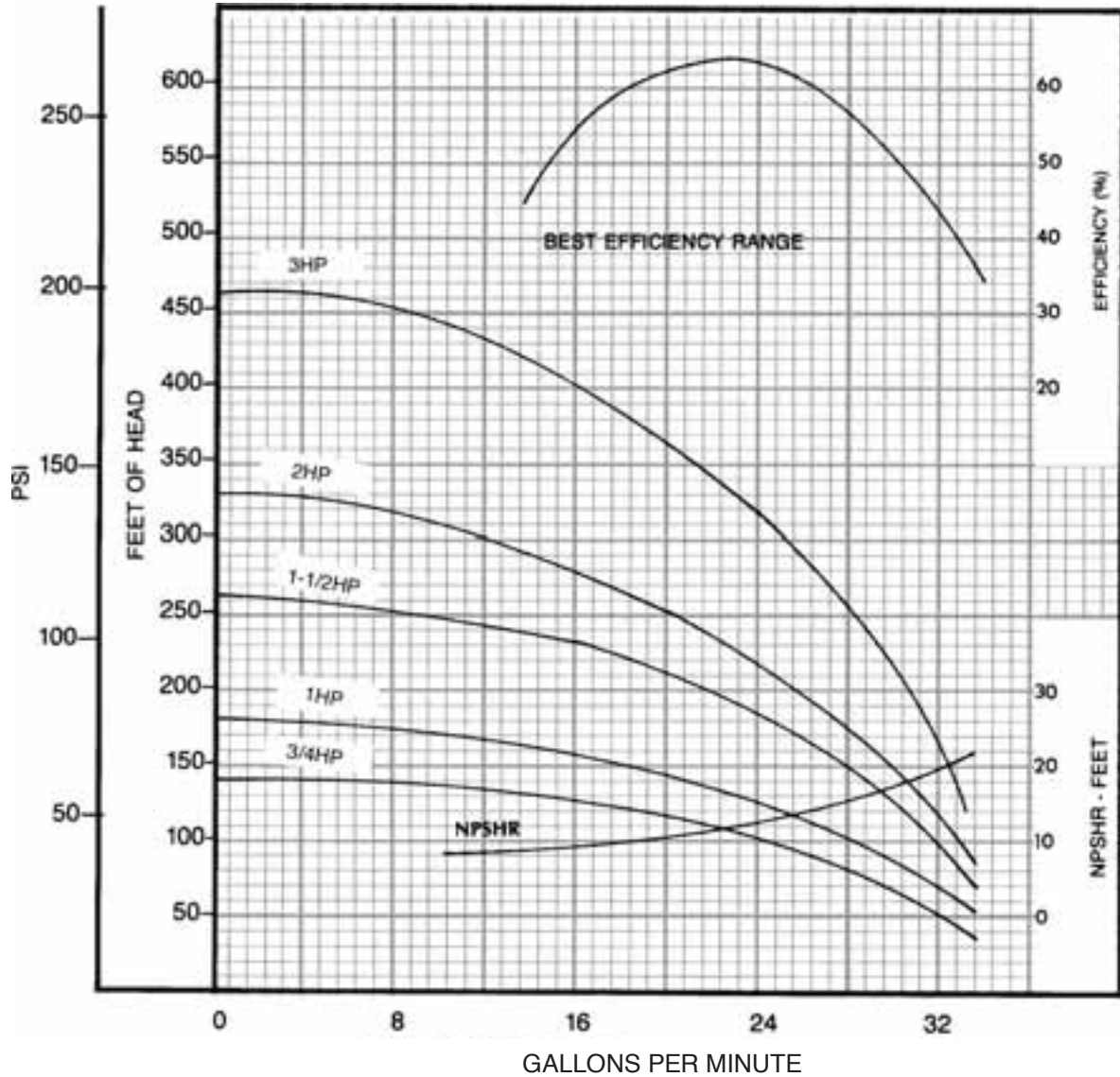
HP	Discharge Pressure at Pump with no Lift (Capacities in GPM)																			Max Pres. (PSI)	
	20	30	40	50	60	70	80	90	100	110	120	130	140	150	160	170	180	190	200		210
1/3	14.4	12.6	10.5	7.5																	56
1/2	15.3	14.2	13.1	11.8	10.3	8.3	4.6														84
3/4	15.8	15.1	14.4	13.6	12.7	11.8	10.8	9.7	8.4	6.9	4.3										125
1	16.2	15.7	15.2	14.6	14.1	13.5	12.9	12.2	11.5	10.8	9.9	8.9	7.8	6.3	4.2						166
1-1/2	16.7	16.2	15.8	15.3	14.9	14.4	14.0	13.5	13.1	12.6	12.1	11.6	11.0	10.4	9.8	9.1	8.4	7.6	6.6	5.3	220

H4 18 GPM Performance Curves & Chart



HP	Discharge Pressure at Pump with no Lift (Capacities in GPM)																Max Pres. (PSI)
	20	30	40	50	60	70	80	90	100	110	120	130	140	150	160	170	
1/2	24.3	21.7	18.1	13.7													60
3/4	25.2	24.0	22.4	20.3	17.6	14.4	10.0										88
1	25.7	24.7	23.8	22.2	20.5	18.4	16.2	13.8	10.2	4.0							111
1-1/2	26.0	25.4	24.8	24.0	23.3	22.3	21.1	19.8	18.2	16.4	14.4	12.0	8.2				148
2	26.5	26.0	25.4	24.7	24.0	23.4	22.5	21.6	20.5	19.4	18.1	16.7	15.3	13.6	11.6	8.4	179

H4 25 GPM Performance Curves & Chart



HP	Discharge Pressure at Pump with no Lift (Capacities in GPM)																		Max Pres. (PSI)
	20	30	40	50	60	70	80	90	100	110	120	130	140	150	160	170	180	190	
3/4	33.0	30.0	26.4	20.8															61
1	34.0	31.8	28.8	25.4	21.2	14.8													76
1-1/2	35.4	34.0	32.8	31.0	29.0	26.6	24.0	20.8	17.0										112
2	35.8	34.7	33.8	32.6	31.2	29.4	27.4	25.2	22.8	20.8	16.8	12.0							138
3	36.2	35.5	34.6	33.8	33.0	32.2	31.2	30.2	29.2	27.8	26.6	25.0	23.2	21.6	19.6	17.2	14.0	9.6	198

H4 Series Horizontal

Ordering Information

H4 HORIZONTAL BOOSTER PUMPS with OPEN DRIP PROOF MOTORS							
GPM	HP	SINGLE PHASE			THREE PHASE - 208-230/460 VOLT		
		Model No.	Order No.	Wt.	Model No.	Order No.	Wt.
5	1/3	3SH4F57-S	91221507	35	3SH4F57-T	91223507	35
	1/2	5SH4F510-S	91221510	37	5SH4F510-T	91223510	37
	3/4	7SH4F514-S	91321514	42	7SH4F514-T	91223514	41
	1	1SH4F518-S	91221518	46	1SH4F518-T	91223518	44
10	1/3	3SH4F104-S	91222104	25	3SH4F104-T	91223104	31
	1/2	5SH4F106-S	91222106	36	5SH4F106-T	91223106	36
	3/4	7SH4F109-S	91222109	39	7SH4F109-T	91223109	38
	1	1SH4F1012-S	91222112	45	1SH4F1012-T	91223112	43
	1-1/2	15SH4F1016-S	91222116	51	15SH4F1016-T	91223116	51
18	1/2	5SH4F185-S	91222805	36	5SH4F185-T	91223805	36
	3/4	7SH4F187-S	91222807	39	7SH4F187-T	91223807	38
	1	1SH4F189-S	91222809	43	1SH4F189-T	91223809	42
	1-1/2	15SH4F1812-S	91222812	51	15SH4F1812-T	91223812	49
	2	2SH4F1815-S	91222815	55	2SH4F1815-T	91223815	55
25	3/4	7SH4F255-S	91223505	38	7SH4F255-T	91224505	37
	1	1SH4F256-S	91223506	42	1SH4F256-T	91224506	40
	1-1/2	15SH4F259-S	91223509	49	15SH4F259-T	91224509	47
	2	2SH4F2511-S	91223511	54	2SH4F2511-T	91224511	54
	3	3SH4F2516-S	91223516	65	3SH4F2516-T	91224516	64

Note: Single Phase 1/3 - 2HP motors rated 115/230V. Single Phase 3HP motor rated 230V. Three Phase motors rated 208-230/460V.

HPH4 BOOSTER PUMP ENDSGPM					H4 BOOSTER PUMPS - 575 VOLT		
GPM	HP	PUMP ENDS			THREE PHASE - 575VOLT		
		Model No.	Order No.	Wt.	Model No.	Order No.	Wt.
5	1/3	3SH4F57	91220507	22	3SH4F57-T5	91224507	35
	1/2	5SH4F510	91220510	23	5SH4F510-T5	91224510	37
	3/4	7SH4F514	91220514	25	7SH4F514-T5	91224514	41
	1	1SH4F518	91220518	26	1SH4F518-T5	91224518	44
10	1/3	3SH4F104	91221004	17	3SH4F104-T5	91224104	31
	1/2	5SH4F106	91221006	22	5SH4F106-T5	91224106	36
	3/4	7SH4F109	91221009	21	7SH4F109-T5	91224109	38
	1	1SH4F1012	91221012	24	1SH4F1012-T5	91224112	43
	1-1/2	15SH4F1016	91221016	26	15SH4F1016-T5	91224116	51
18	1/2	5SH4F185	91221805	22	5SH4F185-T5	91224805	36
	3/4	7SH4F187	91221807	22	7SH4F187-T5	91224807	38
	1	1SH4F189	91221809	23	1SH4F189-T5	91224809	42
	1-1/2	15SH4F1812	91221812	25	15SH4F1812-T5	91224812	49
	2	2SH4F1815	91221815	27	2SH4F1815-T5	91224815	55
25	3/4	7SH4F255	91222505	22	7SH4F255-T5	91225505	37
	1	1SH4F256	91222506	22	1SH4F256-T5	91225507	40
	1-1/2	15SH4F259	91222509	24	15SH4F259-T5	91225509	47
	2	2SH4F2511	91222511	25	2SH4F2511-T5	91225511	54
	3	3SH4F2516	91222516	28	3SH4F2516-T5	91225516	64

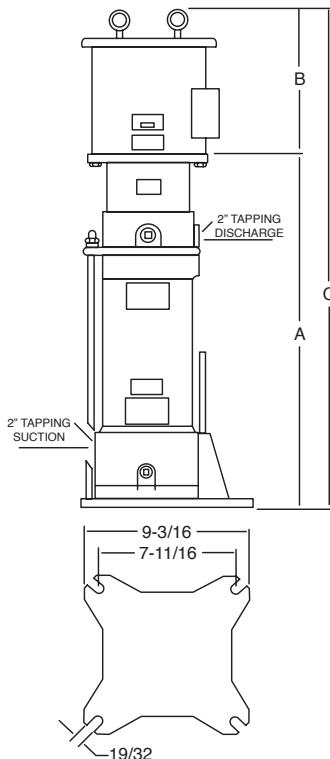
V6 Series HIGH PRESSURE VERTICAL



The V6 Booster Pump is ideal for industrial/commercial applications where water pressure boosting is required. Designed with Premium hydraulics for reliability and excellent performance. The V650 is available in 1-1/2HP through 7-1/2 HP models. The V675 is available in 3 HP through 7-1/2 HP models.

Features:

- Heavy-duty cast iron discharge housing and motor bracket for long life
- Stainless steel shell, shaft coupling and pump shaft for increased durability
- Top access to mechanical seal for easy replacement of seal without disturbing the plumbing or disassembling the pump
- Standard thrust motors which are available through normal distribution channels
- High flow impellers and stages are glass-filled Noryl for added durability and strength
- Unique design allowing rotation of either suction or discharge in 90 degree increments for optimum installation flexibility
- Tie-rod construction for easy disassembly and service to impeller stack
- Maximum water temperature is 120°F
- Maximum operating pressure is 150 PSI
- 2" FNPT Suction x 2" FNPT Discharge



50 GPM

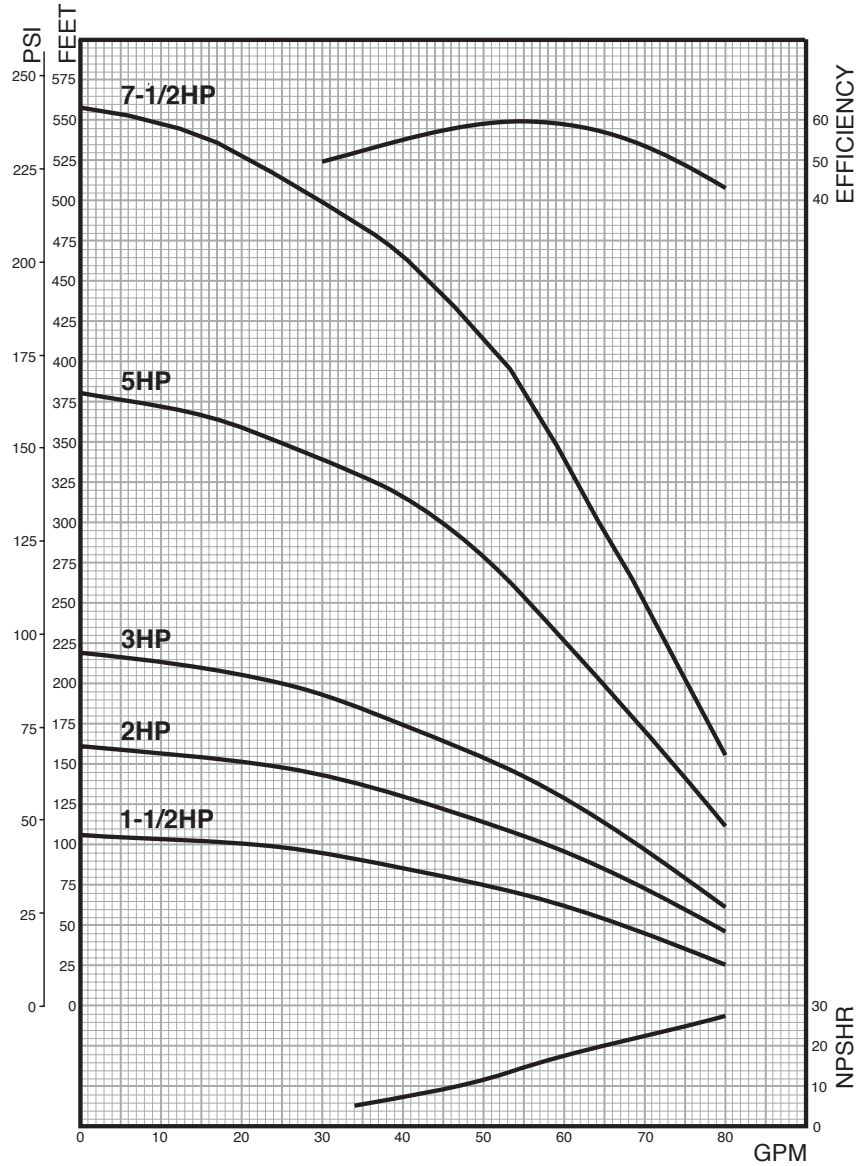
HP	A	B		C	
		1 Phase	3 Phase	1 Phase	3 Phase
1-1/2	16-1/2"	10-1/2"	9-15/16"	27"	26-7/16"
2	18-1/8"	10-1/2"	9-15/16"	28-11/16"	28-1/16"
3	19-3/4"	11-3/16"	10-5/8"	30-15/16"	30-3/16"
5	25-3/8"	15-9/16"	14-3/4"	41-1/16"	40-1/8"
7-1/2	30-3/8"	15-7/8"	15-7/8"	46-1/4"	46-1/4"

75 GPM

HP	A	B		C	
		1 Phase	3 Phase	1 Phase	3 Phase
3	14-7/8"	12-7/8"	12-1/8"	27-3/4"	27"
5	20-1/2"	15-3/4"	14-1/2"	36-1/4"	35"
7-1/2	23-7/8"	15-7/8"	22-3/8"	39-3/4"	46-1/4"

Note: Shaft turns counter clockwise if viewed from above motor

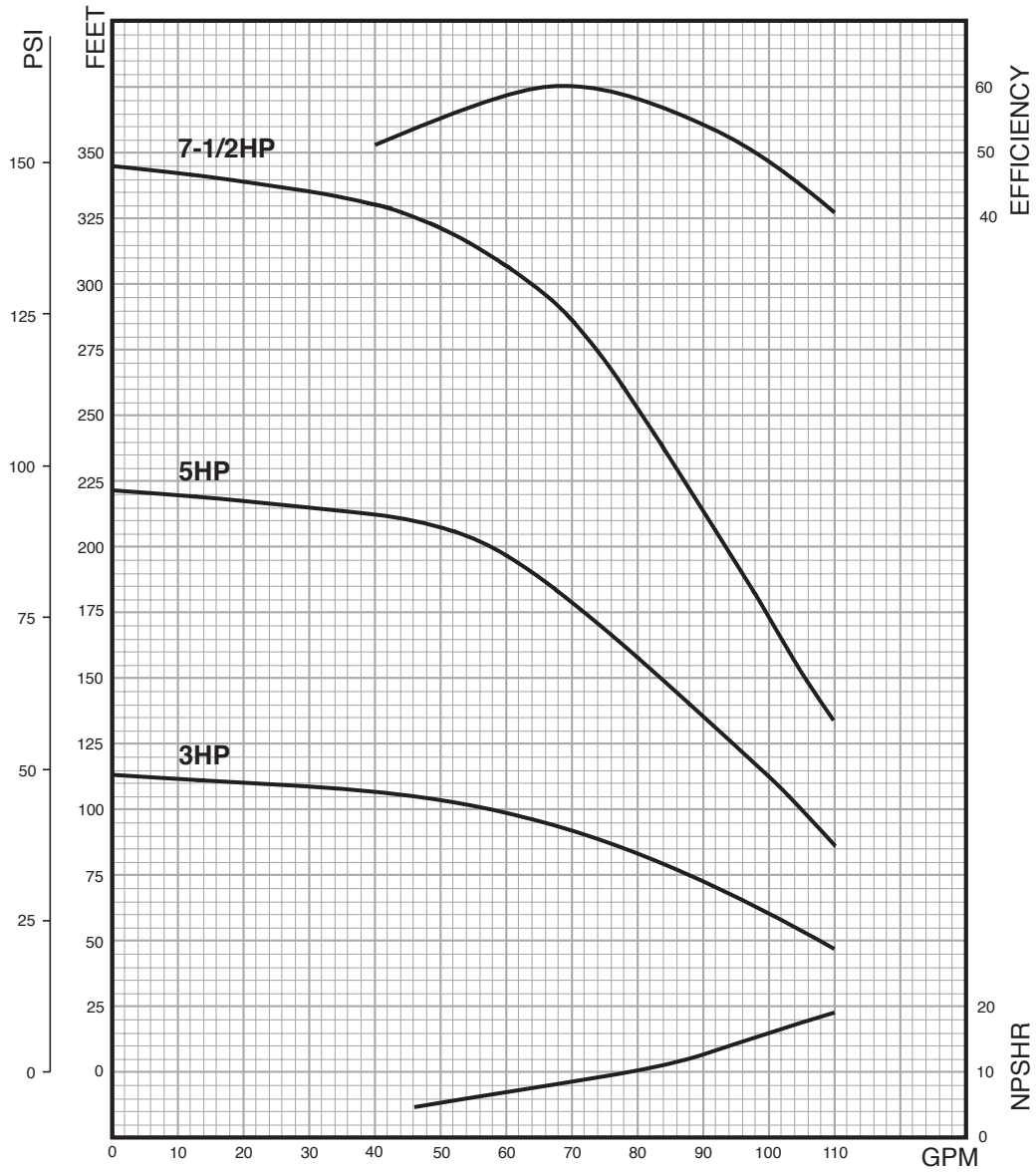
V6 50 GPM Performance Curves & Chart



HP	Discharge Pressure at Pump with no Lift (Capacities in GPM)																							Max Pres. (PSI)	
	10	20	30	40	50	60	70	80	90	100	110	120	130	140	150	160	170	180	190	200	210	220	230		
1-1/2	82	70	56	34																				46	
2		80	72	62	50	35																			69
3			78	72	65	57	47	35	18																95
5					79	75	71	67	63	60	54	48	42	35	25	10									165
7-1/2								79	77	74	71	68	65	62	59	55	51	47	43	38	31	25	17		238

Notes: 1. Total discharge pressure of 1-1/2 thru 7-1/2HP, V6 series units should not exceed 150 PSI.
 2. Total discharge pressure of 75VBH650 units should not exceed 400 PSI.

V6 75 GPM Performance Curves & Chart



HP	Discharge Pressure at Pump with no Lift (Capacities in GPM)														Max Pres. (PSI)
	20	30	35	40	50	60	70	80	90	100	110	120	130	140	
3	100	82	70	50											48
5			108	104	94	86	76	58	20						93
7-1/2						106	100	94	88	82	76	66	56	20	143

Note: 1. Total discharge pressure of V6 Series units should not exceed 150PSI.

Booster Pumps

V6 Series Vertical

Ordering Information

V6 VERTICAL BOOSTER PUMPS with OPEN DRIP PROOF MOTORS							
GPM	HP	SINGLE PHASE			THREE PHASE - 208-230/460 VOLT		
		Model No.	Order No.	Wt.	Model No.	Order No.	Wt.
50	1-1/2	15SVB6F50-2-S	91283915	100	15SVB6F50-2-T	91284913	103
	2	2SVB6F50-3-S	91283923	105	2SVB6F50-3-T	91283964	108
	3	3SVB6F50-4-S	91283931	109	3SVB6F50-4-T	91283972	112
	5	5SVB6F50-7-S	91284301	208	5SVB6F50-7-T	91284327	188
	7-1/2	Not Available in Single Phase			75SVB6F50-10-T	91284293	225
75	3	3SVB6F75-2-S	91284244	106	3SVB6F75-2-T	91284251	108
	5	5SVB6F75-4-S	91284350	208	5SVB6F75-4-T	91284368	182
	7-1/2	Not Available in Single Phase			75SVB6F75-6-T	91284269	222

Note: Single Phase 1/3 - 2HP motors rated 115/230V. Single Phase 3-5HP motor rated 230V. Three Phase motors rated 208-230/460V.

1-1/2 - 7-1/2 HP V6 Series Booster Pump Ends					V6 BOOSTER PUMPS - 575 VOLT		
GPM	HP	PUMP ENDS ONLY			THREE PHASE - 575 VOLT		
		Model No.	Order No.	Wt.	Model No.	Order No.	Wt.
50	1-1/2	15SVB6F50-2	91284053	65	15SVB6F50-2-T5	91289019	103
	2	2SVB6F50-3	91284061	72	2SVB6F50-3-T5	91289020	108
	3	3SVB6F50-4	91284079	74	3SVB6F50-4-T5	91289021	112
	5	5SVB6F50-7	91284335	89	5SVB6F50-7-T5	91289034	188
	7-1/2	75SVB6F50-10	91284343	95	75SVB6F50-10-T5	91289035	225
75	3	3SVB6F75-2	91284277	70	3SVB6F75-2-T5	91329036	108
	5	5SVB6F75-4	91284376	75	5SVB6F75-4-T5	91329037	182
	7-1/2	75SVB6F75-6	91284285	84	75SVB6F75-6-T5	91329038	222

Replacement Motors

JM Frame Centrifugal

REPLACEMENT MOTORS FOR JET & SMALL CENTRIFUGAL PUMPS								
Pump Series	Frame	HP	Single Phase			Three Phase		
			Voltage	Order No.	Wt.	Voltage	Order No.	Wt.
CWJ Pro HJ H4 D	56C Keyed Shaft	1/2	115/230	90102294R	18	208-230/460	90102419R	19
		3/4	115/230	90102302R	25	208-230/460	90102427R	27
		1	115/230	90102310R	29	208-230/460	90102435R	29
		1-1/2	115/230	90102328R	30	208-230/460	90102443R	30
		2	115/230	90102336R	33	208-230/460	90102450R	33
		3	230	90102897R	40	208-230/460	90110628R	68
H4 D	56C Keyed Shaft	1/2	Not Available in Single Phase			575	90109372R	19
		3/4				575	90109380R	27
		1				575	90109398R	29
		1-1/2				575	90109406R	30
		2				575	90109414R	33
		3				575	90179961R	68
VB6	56C Keyed Shaft	1-1/2	115/230	90118910R	31	208-230/460	90118977R	30
		2	115/230	90118928R	34	208-230/460	90118985R	35
		3	230	90119181R	41	208-230/460	90119207R	69
	TC K. Shaft	5	230	90119199R	35	208-230/460	90119215R	58
		7-1/2	230	Not Available		208-230/460	90119017R	74
C HJ	56J Threaded Shaft	1/3	115/230	90177817R	17	Not Available in Three Phase		
		1/2	115/230	90100637R	18			
		3/4	115/230	90100561R	25			
		1	115/230	90100579R	29			
		1-1/2	115/230	90100587R	30			
		2	115/230	90119116R	34			
SHJM	56J Threaded Shaft	1	115/230	90100629R	25	Not Available in Three Phase		
		1-1/2	115/230	90100603R	30			
		2	115/230	90100611R	33			
		2-1/2	115/230	90100645R	34			
DDD	56Z Square Flange	1/2	115/230	90106246R	18	208-230/460	90106758R	9
		3/4	115/230	90106253R	25	208-230/460	90106766R	10
		1	115/230	90106261R	29	208-230/460	90106774R	12
		1-1/2	115/230	90106279R	30	208-230/460	90106782R	14
		2	115/230	90106287R	33	208-230/460	90106790R	17
		2-1/2	115/230	90106295R	35	Not Available in Three Phase		
CWJ	56Z Square Flange	1/2	115/230	90101106R	18	Not Available in Three Phase		
		3/4	115/230	90103227R	25			
		1	115/230	90103235R	29			
SWJ TY TYCI	56Z Square Flange	1/2	115/230	90101315R	18	Not Available in Three Phase		
		3/4	115/230	90101327R	25			
		1	115/230	90101331R	29			
		1-1/2	115/230	90101345R	30			
		2	115/230	90101352R	33			

Notes: 56C- Round flange motors have a 5/8" diameter shaft with 3/16" x 3/16" keyway.
 56J- Round flange motors have a 5/8" diameter shaft with 7/16-20 UNF-2A thread.
 56Z- Square flange motors have a 5/8" diameter shaft with 1/2-20 UNC-2A thread.

Parts for Franklin Electric Control Boxes

FRANKLIN ELECTRIC Q.D. CONTROL BOX PARTS FOR SINGLE PHASE 1/3 - 1HP SUBMERSIBLE MOTORS

HP Voltage Model No.	Rating	No. Req.	Franklin Component Part No.	Franklin Kit Order No.	Schaefer Order No.
1/3 HP - 115V 2801024915	Start Capacitor 159-191 MFD, 110V	1	275464125	305207925	99504516R
	QD Relay	1	223415905	305101905	99490022R
1/3 HP - 230V 2801034915	Start Capacitor 43-53 MFD, 220V	1	275464126	305207926	99504813R
	QD Relay	1	223415901	305101901	99490020R
1/2 HP - 115V 2801044915	Start Capacitor 250-300 MFD, 125V	1	275464201	305207951	99503013R
	QD Relay	1	223415906	305101906	99490054R
1/2 HP - 230V 2801054915	Start Capacitor 59-71 MFD, 220V	1	275464105	305207905	99504219R
	QD Relay	1	223415902	305101902	99490062R
3/4 HP - 230V 2801074915	Start Capacitor 86-103 MFD, 220V	1	275464118	305207918	99503617R
	QD Relay	1	223415903	305101903	99490070R
1 HP - 230V 2801084915	Start Capacitor 105-126 MFD, 220V	1	275464113	305207913	99506982R
	QD Relay	1	223415904	305101904	99490088R
1/2 HP - 230V CRC 2824055015	Start Capacitor 43-53 MFD, 220V	1	275464126	305207926	99504813R
	Run Capacitor 15 MFD, 370V	1	156132101	305203907	99500022R
	QD Relay	1	223415912	305105901	99490023R
3/4 HP - 230V CRC 2824075015	Start Capacitor 59-71 MFD, 220V	1	275464105	305207905	99504219R
	Run Capacitor 23 MFD, 370V	1	156132102	305203908	99500023R
	QD Relay	1	223415913	305105902	99490024R
1 HP - 230V CRC 2824085015	Start Capacitor 86-103 MFD, 220V	1	275464118	305207918	99503617R
	Run Capacitor 23 MFD, 370V	1	156132102	305203908	99500023R
	QD Relay	1	223415914	305105903	99490025R

REPLACEMENT PARTS FOR OLDER STYLE Q.D. CONTROL BOXES

Description	Rating	No. Req.	Franklin Component Part No.	Franklin Kit Order No.	Schaefer Order No.
Voltage Replay Kit*	115 Volt with bracket and screws	1	155031901	305102901	99497430R
	230 Volt with bracket and screws	1	155031902	305102902	99497448R
	208 Volt with bracket and screws	1	155031903	305102903	99490016R
Capacitor Overload Assembly**	1/3 HP, 115 Volt	1	151033973	305218973	99491615R
	1/3 HP, 230 Volt	1	151033974	305218974	99492217R
	1/2 HP, 115 Volt	1	151033975	305218975	99493777R
	1/2 HP, 230 Volt	1	151033976	305218976	99491912R
	3/4 HP, 230 Volt	1	151033978	305218978	99492811R
	1 HP, 230 Volt	1	151033979	305218979	99491011R
	1.5 HP, 230 Volt	1	151033980	305218980	99493819R
Overload Kit***	1/3 HP, 115 Volt	1	N/A	305100901	N.A.
	1/3 HP, 230 Volt	1		305100902	N.A.
	1/2 HP, 115 Volt	1		305100903	99490013R
	1/2 HP, 230 Volt	1		305100904	99490021R
	3/4 HP, 230 Volt	1		305100905	99490039R
	1 HP, 230 Volt	1		305100906	99490047R

Notes: Some Franklin motors, controls & parts are not stock items and may need to be special ordered.

* Voltage reley kits will replace either current, voltage, or solid state switch relays.

** O-D control boxes produced H85 or later do not contain an overload in the capacitor. On winding thermal overloads were added to three-wire motors rated 1/3-1HP in A85. If a control box dated H85 or later is applied with a motor dated M84 or earlier, overload protection can be provided by adding an overload kit to the control box.

Parts for Franklin Electric Control Boxes

FRANKLIN ELECTRIC "STANDARD" CONTROL BOX PARTS FOR SINGLE PHASE 1-1/2 - 10HP 4" & 6" SUBMERSIBLE MOTORS					
HP Size Model No.	Rating	No. Req.	Franklin Component Part No.	Franklin Kit Order No.	Schaefer Order No.
1-1/2 HP - 4" 2823008110	Start Capacitor 105-126 MFD, 220V	1	275464113	305207913	99506982R
	Run Capacitor 10 MFD, 370V	1	155328102	305204902	99505414R
	Overload	1	275411107	305215907	99502817R
	Relay - 230v *	1	155031102	305213902	99497919R
2 HP - 4" 2823018110	Start Capacitor 105-126 MFD, 220V	1	275464113	305207913	99506982R
	Run Capacitor 20 MFD, 370V	1	155328103	305204903	99500050R
	Start Overload	1	275411107	305215907	99502817R
	Run Overload	1	275411113	305215913	99502759R
3 HP - 4" 2823028110	Relay - 230v *	1	155031102	305213902	99497919R
	Start Capacitor 208-250 MFD, 220V	1	275463111	305206911	99505158R
	Run Capacitor 45 MFD, 370V	1	155327109	305203909	99500045R
	Start Overload	1	275411108	305215908	99502825R
5 HP - 4" & 6" 2821138110	Run Overload	1	275411115	305215915	99502718R
	Relay - 230v *	1	155031102	305213902	99497919R
	Start Capacitor 270-324 MFD, 330V	1	275468119	305208919	99506990R
	Run Capacitor 40 MFD, 370V	2	155327114	305203914	99505174R
7-1/2 HP - 6" 2822019210	Start Overload	1	275411102	305215902	99502833R
	Run Overload	1	275406102	305214902	99500024R
	Relay - 230v *	1	155031102	305213902	99497919R
	Start Capacitor 270-324 MFD, 330V	1	275468119	305208919	99506990R
	Start Capacitor 216-259 MFD, 330V	1	275468118	305208918	99506966R
	Run Capacitor 45 MFD, 370V	1	155327109	305203909	99500045R
10 HP - 6" 2822029210	Start Overload	1	275411102	305215902	99502411R
	Run Overload	1	275406122	305214922	99500026R
	Relay - 230V *	1	155031601	305213961	99498222R
	Start Capacitor 270-324 MFD, 330V	1	275468119	305208919	99506990R
	Start Capacitor 350-420 MFD, 330V	1	275468120	305208920	99500028R
	Run Capacitor 35 MFD, 370V	2	155327102	305203902	99500068R
All	Start Overload	1	275406103	305214903	99502411R
	Run Overload	1	155409101	155409101	99500020R
208V Relay *	Relay 1.5-5hp (replaces 155031102)	1	155031601	305213961	99498222R
	Lightning Arrestor	1	150814902	150814902	99497729R
	Relay 1.5-5hp (replaces 155031102)	1	155031103	305213903	99498214R

Notes: Some Franklin motors, controls & parts are not stock items and may need to be special ordered.

* For 208V systems or where line voltage is between 200V and 210V a low voltage relay is required.

Use relay part number 155031103 in place of 155031102 on 1.5 through 5HP applications.

Use the next size larger cable that specified in 230V table. Boost transformers are an alternative to special relay and cable, and must be used in applications of 7.5HP and larger, as 208V relays are no longer available.

Parts for Franklin Electric Control Boxes

FRANKLIN ELECTRIC "DELUXE" CONTROL BOX PARTS FOR SINGLE PHASE 2- 15HP 4" & 6" SUBMERSIBLE MOTORS

HP Size Model No.	Rating	No. Req.	Franklin Component Part No.	Franklin Kit Order No.	Schaefer Order No.
2 HP - 4" 2823018310	Start Capacitor 105-126 MFD, 220V	1	275464113	305207913	99506982R
	Run Capacitor 20 MFD, 370V	1	155328103	305204903	99500050R
	Start Overload	1	275411107	305215907	99502817R
	Run Overload	1	275411113	305215913	99502759R
	Contactactor	1	155325102	305226901	99490017R
	Relay - 230V	1	155031102	305213902	99497919R
3 HP - 4" 2823028310	Start Capacitor 208-250 MFD, 220V	1	275463111	305206911	99505158R
	Run Capacitor 45 MFD, 370V	1	155327109	305203909	99500045R
	Start Overload	1	275411108	305215908	99502825R
	Run Overload	1	275411115	305215915	99502718R
	Contactactor	1	155325102	305226901	99490017R
	Relay - 230V	1	155031102	305213902	99497919R
5 HP - 4" & 6" 2821138310 or 2821139310	Start Capacitor 270-324 MFD, 330V	1	275468119	305208919	99506990R
	Run Capacitor 40 MFD, 370V	2	155327114	305203914	99505174R
	Start Overload	1	275411102	305215902	99502411R
	Run Overload	1	275406102	305214902	99500024R
	Contactactor	1	155326101	305347903	99490018R
	Relay - 230V	1	155031102	305213902	99497919R
7.5 HP - 6" 2822019310	Start Capacitor 270-324 MFD, 330V	1	275468119	305208919	99506990R
	Start Capacitor 216-259 MFD, 330V	1	275468118	305208918	99506966R
	Run Capacitor 45 MFD, 370V	1	155327109	305203909	99500045R
	Start Overload	1	275411102	305215902	99502411R
	Run Overload	1	275406121	305214921	99500025R
	Contactactor	1	155326102	305347902	99490019R
	Relay - 230V	1	155031601	305213961	99498222R
10 HP - 6" 282202931	Start Capacitor 270-324 MFD, 330V	1	275468119	305208919	99506990R
	Start Capacitor 350-420 MFD, 330V	1	275468120	305208920	99500028R
	Run Capacitor 35 MFD, 370V	2	155327102	305203902	99500068R
	Start Overload	1	275406103	305214903	99502411R
	Run Overload	1	155409101	155409101	99500020R
	Contactactor	1	155326102	305347902	99490019R
	Relay - 230V	1	155031601	305213961	99498222R
15 HP - 6" 2822039310 2822039330	Start Capacitor 350-420 MFD, 330V	2	275468119	305208919	99506990R
	Start Capacitor 161-193 MFD, 330V	1	275463122	305206912	99500030R
	Run Capacitor 45 MFD, 370V	3	155327109	305203909	99500045R
	Start Overload	1	275406103	305214903	99502411R
	Run Overload	1	155409102	155409102	99500021R
	Contactactor	1	155429101	305347901	99490028R
	Relay - 230V	1	155031601	305213961	99498222R
15 HP - 6" 2822039621 X-Large Enclosure	Start Capacitor 350-420 MFD, 330V	2	275468119	305208919	99506990R
	Start Capacitor 161-193 MFD, 330V	1	275463122	305206912	99500030R
	Run Capacitor 45 MFD, 370V	3	155327109	305203909	99500045R
	Start Overload	1	275406103	305214903	99502411R
	Run Overload	1	155409102	155409102	99500021R
	Contactactor	1	155429101	305347901	99490029R
	Relay - 230V	2	155031601	305213961	99498222R
All	Lightning Arrestor	1	150814902	150814902	99497729R
208V Relay *	Relay 1.5-5hp (replaces 155031102)	1	155031103	305213903	99498214R

Notes: Some Franklin motors, controls & parts are not stock items and may need to be special ordered.

* For 208V systems or where line voltage is between 200V and 210V a low voltage relay is required.

Use relay part number 155031103 in place of 155031102 on 1.5 through 5HP applications.

Use the next size larger cable that specified in 230V table. Boost transformers are an alternative to special relay and cable, and must be used in applications of 7.5HP and larger, as 208V relays are no longer available.

Franklin Pump Systems Service Parts Kits

Ordering Information by Pump Model and Size

DDD REPAIR KITS		
Includes impeller, square ring, mechanical seal, wear-ring, and fasteners		
DESCRIPTION	PART NUMBER	REPAIR MODELS
Impeller Kit	05388608K	5DD1
	05388707K	7DD1
	05388806K	1DD1
	05388905K	15DD1
	05389002K	2DD1
	05389101K	25DD1
Fastener Kit	14443402K	Repairs all DDD models
Seal, O-ring Kit	24017345	Includes Mechanical Seal & O-ring

DA1A & DA1B REPAIR KITS		
Includes impeller, mechanical seal, & o-ring		
DESCRIPTION	PART NUMBER	REPAIR MODELS
Impeller Kit	05394606K	3DA1A
	05394705K	5DA1A
	05394903K	7DA1A
	05394804K	DA1A
	05394101K	7DA1B & 1DA1B
	05394200K	15DA1B
	05394309K	2DA1B
Fastener	14443303K	DA1A, DA1B, RM2,RP2, RP3,HJM1, & HJM2
Seal, O-Ring Kit	24017352	Includes Mechanical Seal & O-Ring

DB1 & DB1-1/2 REPAIR KITS		
Includes impeller, mechanical seal, impeller jam nut, and o-ring		
DESCRIPTION	PART NUMBER	REPAIR MODELS
Impeller Kit	05371109K	7DB1
	05163209K	1DB1
	05163803K	15DB1
	05164306K	2DB1
	05165303K	3DB1
Fastener Kit	14443501K	DB1-1/2, DB2, DC1-1/2
Seal Sleeve Kit	24017279	Includes all o-rings & imp.
Fasteners		See Parts Page for details.
Seal, O-Ring Kit	24017352	Includes Mech. Seal & O-ring

Franklin Pump Systems Service Parts Kits

Ordering Information by Pump Model and Size

DB2 Repair Kits		
Includes impeller, mechanical seal, impeller jam-nut and o-ring		
DESCRIPTION	PART NUMBER	REPAIRS MODELS
Impeller Kit	05152103K	15DB2
	05152004K	2DB2
	05169503K	3DB2
Fastener Kit	14443501K	DB2, DB1-1/2, DC1-1/2
Seal Sleeve Kit	24017279	Includes O-rings & impeller fasteners (See parts pages.)
Seal, O-ring Kit	24017378	Includes all O-Rings and mechanical seals for 20DB2
	24017352	Includes mechanical seals and O-Rings for 3/4 - 3 HP
DC1-1/2 Repair Kits		
Fastener Kit	14443501K	DC1-1/2, DB2, DB1-1/2
Seal Sleeve Kit	24017279	Includes O-rings and impeller fasteners (See parts pages)
DB3 Repair Kits		
Fastener Kit	14443600K	Repairs all DB3 models
Seal Sleeve Kit	24017279	Includes o-rings & impeller fasteners for 5HP thru 15HP
Seal Sleeve Kit	24017295	Includes O-rings & impeller fasteners for 20HP
Seal O-Ring Kit	24017360	Includes mech. seal & o-rings for 5HP thru 15HP
Seal O-ring	24017378	Mech seal & o-ring for 20HP
DC4 Repair Kits		
Fastener Kit	14443709K	Repairs all DC4
Seal Sleeve Kit	24017295	O-rings & imp. fasteners for 20HP-50HP
Seal O-Ring Kit	24017378	Mech. seal, square & o-rings for 20HP thru 50HP
JM-8M-10M Repair Kits		
Fastener Kit	14443808K	Repairs all JM, 8M, 10M
Seal Gasket Kit	24017386	Mechanical Seal and gaskets
Chk Valve Assy Kit	16030900R	Housing, gasket, flapper, & fasteners
HJM1 – HJM2 Repair Kits		
Includes impeller, diffuser, mechanical seal, wear-ring, o-ring, and fasteners		
Impeller Kit	05077615RKIT	HJM1 & 2 Plastic 1HP Unity
	24017303	1HJM1Brz. 1HP full rate 1.5HP uprate
	24017311	1.5HJM1Brz. 1.5HP full rate 2HP uprate
	24017329	2HJM1Brz. 2HP full rate 2.5HP uprate
	05273800RKIT	1HJM1 & 2 plastic 1 HP full rate 1.5HP uprate
	05272703RKIT	1.5HJM1 & 2 plastic 1.5HP full rate 2HP uprate
	05326707RKIT	2HJM1 & 2 Brz. 2HP full rate 2.5HP uprate
Fastener Kit	14443303K	Repairs all HJM1 – HJM2

Franklin Pump Systems Service Parts Kits

Ordering Information by Pump Model and Size

CY-CCY & SWJ Repair Kits		
Includes impeller, diffuser, wear ring, mechanical seal, o-ring & disc.		
DESCRIPTION	PART NUMBER	REPAIRS MODELS
Impeller Kit	05380037RKIT	S5CY – S5CCY
	05392204RKIT	5CY – S7CY – 5CCY – S7CCY – 5SWJ
	05392303RKIT	7CY – S1CY – 7CCY – S1CCY – 7SWJ
Fastener Kit	14443204K	Cyclone, Deep, SRP3, CWJ, SWJ

SRP3, CWJ & DEEP Repair Kits		
Includes impeller, diffuser, wear ring, mechanical seal, o-ring, and disc.		
Impeller Kit	24013906	1/2HP DEEP, 5SRP3, 5CWJ
	05392303RKIT	3/4HP DEEP, 7SRP3, 7CWJ
	05385703RKIT	1HP DEEP, 1SRP3, 1CWJ
Fastener Kit	1443204K	DEEP, SRP3, Cyclone, CWJ
Seal, O-ring Kit	24008500	Includes Mech. seal & all o-rings

RP2 Repair Kits		
Includes impeller, diffuser, wear ring, mechanical seal, & square ring.		
Impeller Kit	24012106	5RP2
	24012205	7RP2
Fastener	14443303K	RP2, RM2, PRM3, DA1A, DA1B, HJM1, HJM2, CWJ Pro
Seal, Square Ring Kit	24012304	Includes mech. seal & all o-rings and square rings
Impeller Kit	24014508	5RM2, 5CWJ Pro
	24014607	7RM2, 7CWJ Pro
	24014904	1RM2, 1CWJ Pro
	24017246	1PRM3

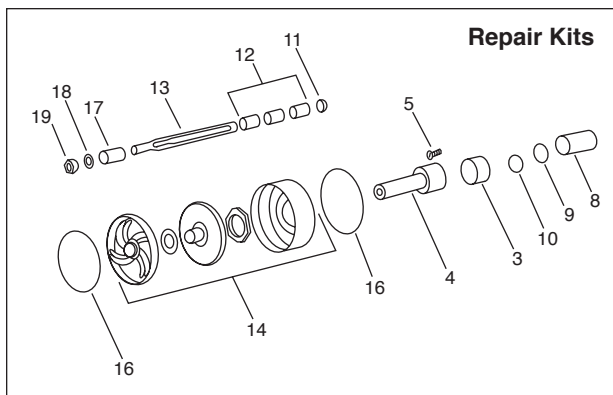
RM2, CWJ Pro & 7PRM3 Repair Kits		
Impeller Kit, The following kits are for units built prior to 7/96 and will include a 9/16" threaded motor coupling.		
Impeller Kit	24012403	5RM2, 5CWJ Pro
	24012502	7RM2, 7CWJ Pro
	24012601	1RM2, 1CWJ Pro
Fastener Kit	14443303K	RM2, PRM3, RP2, DA1A, DA1B, HJM1, HJM2, CWJ Pro
Seal, Square Ring Kit	24012700	Includes mech. seal & all o-ring and square rings

Franklin Pump Systems Service Parts Kits

Ordering Information by Pump Model and Size

Typhoon, TY, TYCI Hydraulic Repair Kits		
Includes impeller, diffuser, wear ring, mechanical seal, square ring, and o-ring.		
DESCRIPTION	PART NUMBER	REPAIRS MODEL
Impeller Kit	05034103RKIT	7TY, S10TY, 7TYCI
	05034202RKIT	10TY, S15TY, 10TYCI
	05034400RKIT	15TY, S20TY, 15TYCI
	05034001RKIT	20TY, S25TY, 20TYCI

H4 Booster Repair Kits		
DESCRIPTION	PART NUMBER	REPAIRS MODEL
H4 Component Kit	24017519	Small Parts for all models
Fastener Kit	14443907K	Repairs all H4 Boosters

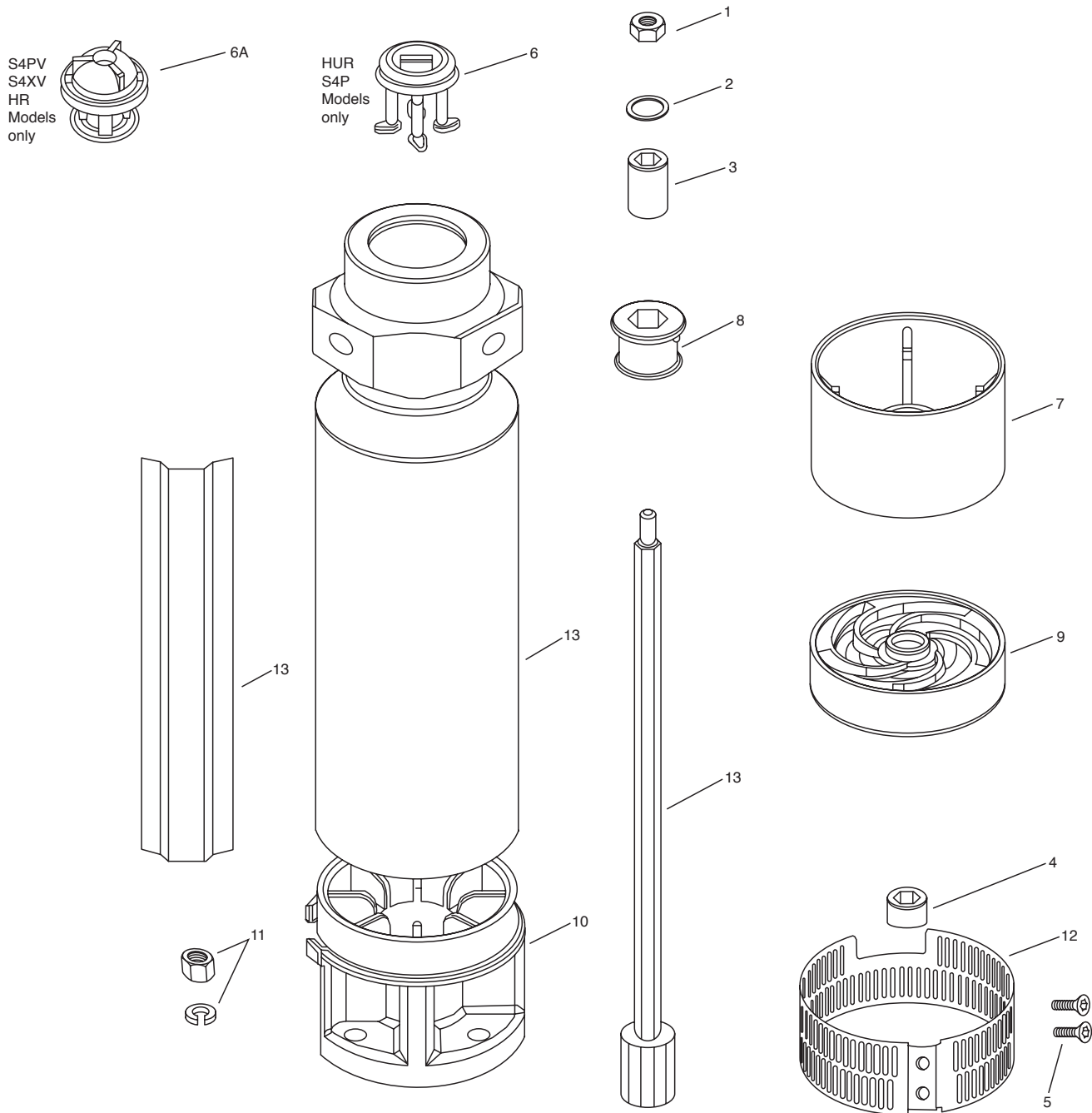


Rod Booster Repair Kits			
Descr.	Part #	Descr.	Part #
H45-7	9132-2073	*H418-5	9132-2156
H45-10	9132-2081	*H418-7	9132-2164
H45-14	9132-2099	*H418-9	9132-2172
H4518	9132-2107	*H418-12	9132-2180
		*H418-15	9132-2198
H410-4	9132-2859		
H410-6	9132-2115	H425-5	9132-2206
H410-9	9132-2123	H425-6	9132-2214
H410-12	9132-2131	H425-9	9132-2222
H410-16	9132-2149	H425-11	9132-2230
		H425-16	9132-2248
		H425-27	9132-5001

Note: For all 18GPM units built prior to 9/97, the shell, tie rods and shaft must also be replaced - they are longer. Please consult factory.

V6 Booster Repair Kits		
DESCRIPTION	PART NUMBER	REPAIRS MODEL
Fastener Kit	14444004K	Repairs all V6 Boosters

Parts for all Models (5-25 GPM)



4" Submersible Parts

Parts for all Models (5-25 GPM)

Fig. No.	Part No.	Description	Legacy Plastic	Legend Plastic	Legend Brass	Legend Stainless
1	14-1371-03-R	Nut	1	1	1	1
2	14-0756-00-R	Washer	1	1	1	1
3	08-2888-03-R	Ceramic	1	1	1	x=1/mx=3
4	08-2770-06-R	Spacer	1	1	1	1
5	14-4243-03-R	Cable Shield Screws	2	2	n/a	n/a
	14-4257-06-R	Cable Shield Screws	n/a	n/a	4	n/a
	14-4412-08-R	Cable Shield Screws	n/a	n/a	n/a	2
6	16-0171-05-R	Poppet w O-Ring	1	1	n/a	n/a
6A	9198-5259	Flo. Ck./Valve poppet for only S4PV-S4XV and HR	n/a	n/a	n/a	n/a
7	08-2323-02-R	Bearing Support w/ Bearing	n/a	n/a	n/a	n/a
8	08-2888-05-R	Rubber Bearing	1	1	1	1
9	04-5720-04-R	8 GPM Stage	AR	n/a	n/a	n/a
	04-5534-08-R	12 GPM Stage	AR	n/a	n/a	n/a
	04-5731-01-R	16 GPM Stage	AR	n/a	n/a	n/a
	04-5721-03-R	22 GPM Stage	AR	n/a	n/a	n/a
	04-5330-06-R	5 GPM Stage	n/a	AR	AR	AR
	04-5328-00-R	7 GPM Stage	n/a	AR	AR	AR
	04-5329-09-R	10 GPM Stage	n/a	AR	AR	AR
	04-5621-04-R	18 GPM Stage	n/a	AR	AR	AR
04-5505-05-R	25 GPM Stage	n/a	AR	AR	AR	
10	02-1207-07-R	Bracket (Plastic)	1	1	n/a	n/a
	02-1679-06-R	Bracket (Brass)	n/a	n/a	1	n/a
	02-1681-02-R	Bracket (SS)	n/a	n/a	n/a	1
11	14-3914-03-R	Fastener Kit (4 sets)	1	1	1	1
12	22-5901-03-R	Screen	n/a	n/a	1	1
13	Not Available					

Parts for all Models (35-90 GPM)

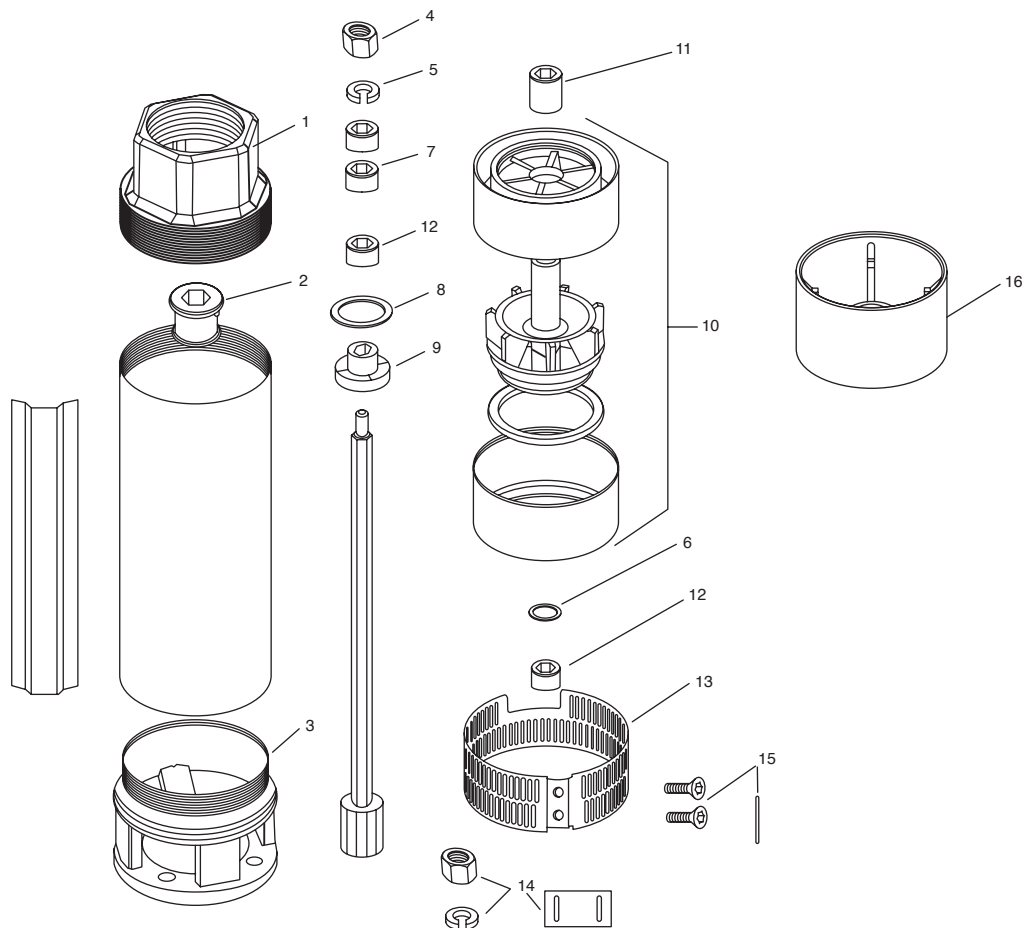


Figure No.	Part No.	Description
1	03-0905-03-R	SS Discharge housing w/ rubber bearing
	04-5340-04-R	CI Discharge housing w/ rubber bearing (prior to 8/01)
2	08-2888-05-R	Rubber Bearing
3	02-1707-02-R	SS Motor Bracket
	02-1134-05-R	CI Motor Bracket
4	14-1371-03-R	Hex Nut
5	14-0756-00-R	Washer
6	14-1249-03-R	Shim (5 each)
7	08-2903-06-R	Hub Sleeve Ceramic (6 req'd)
8	14-4223-07-R	Thrust washer (not required for 35)
9	08-2893-08-R	Thrust Journal (not required for 35)
10	04-5783-08-R	Stage Assy. for 35 (1 x no. of stages required)
	04-5341-03-R	Stage Assy. for 45 (1 x no. of stages required)
	04-5343-01-R	Stage Assy. for 60 (1 x no. of stages required)
	04-5300-02-R	Stage Assy. for 90 (1 x no. of stages required)
11	08-2506-23-R	Hex Sleeve (1 x no. of stages required on 45, 60 only)
12	08-2960-06-R	Hex Sleeve (2 ea. req'd for 35, 1 ea. req'd for all others)
	08-2506-23-R	Hex Sleeve (2 req'd) prior to 8/01
13	22-5925-05-R	Submersible Screen
	22-0579-05-R	Submersible Screen (prior to 8/01)
14	14-3914-03-R	Fastener Kit w/ motor lead protector 22-5694-04 (set of 4)
15	14-4257-06-R	Screw (4 or 5 req'd) all except 35 models
	14-4258-20-R	Hex wash Hd. 35 only (4 ea. req'd)
16	08-2961-05-R	Bearing support stage w/ brg.

Parts for all Models (60-75 GPM)

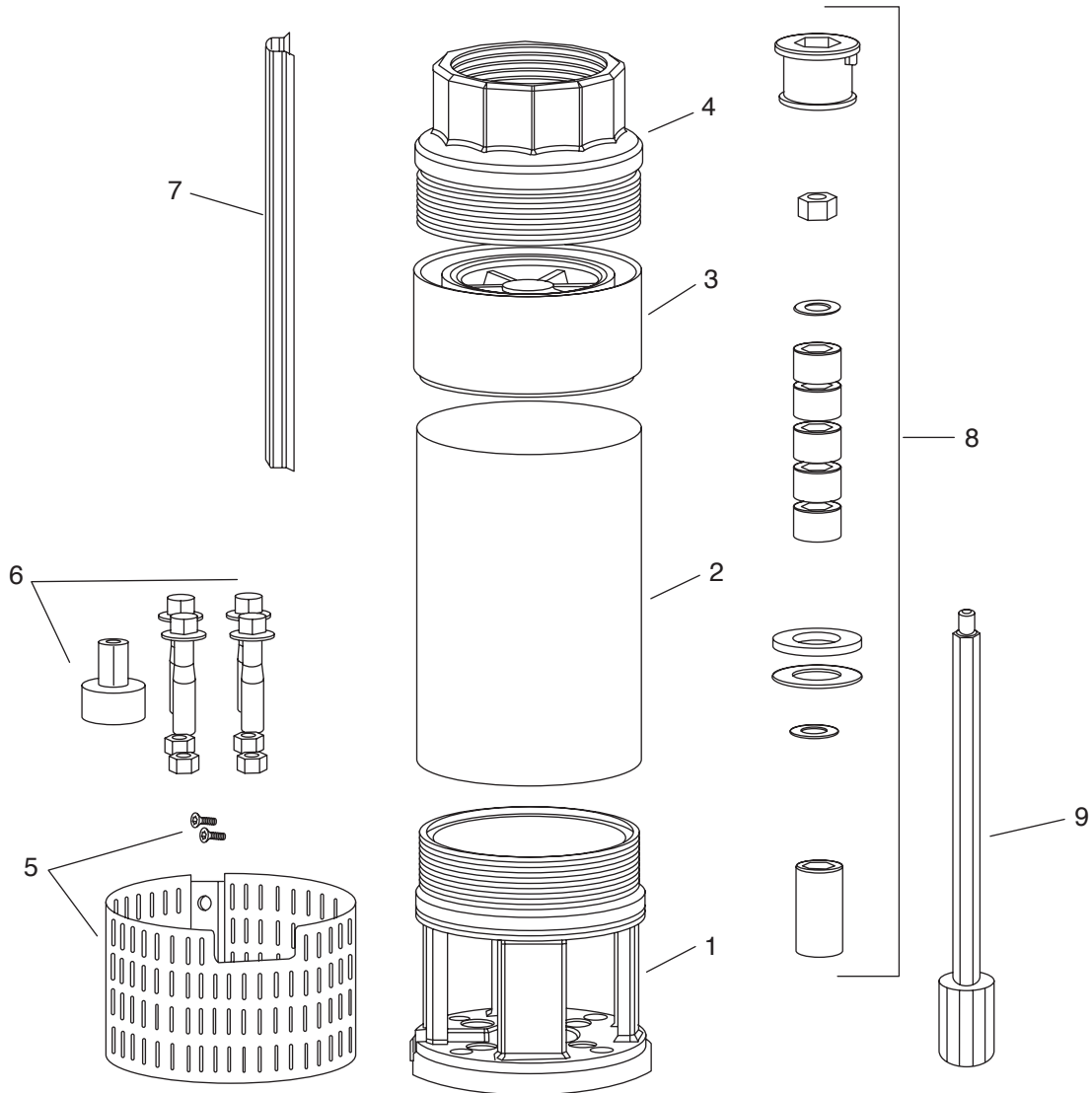


Figure No.	Part No.	Description
1	02-1708-01-R	SS Bracket (All HP's)
2	N/A	Shell
3	04-5648-03	Stage Assy. for 50 1-1/2 and 2 HP
	04-5647-04	Stage Assy. for 50 3, 5, 7-1/2, and 10 HP
	04-5649-02	Stage Assy. for 75 3 & 5 HP
	04-5650-08	Stage Assy. for 75 7-1/2, 10, 15 and 20 HP
4	04-5820-03-R	SS Discharge (3" NPT)
5	22-5957-08-R	SS Screen and Machine Screws (2)
6	14-4421-07	4" and 6" Motor Fastener Kit
7	N/A	Cable Shield
8	04-5848-01-R	Bearing and Spacers Repair Kit
9	NA	Shaft

Shallow Well Jet Pump

Models CY, CCY, & SWJ

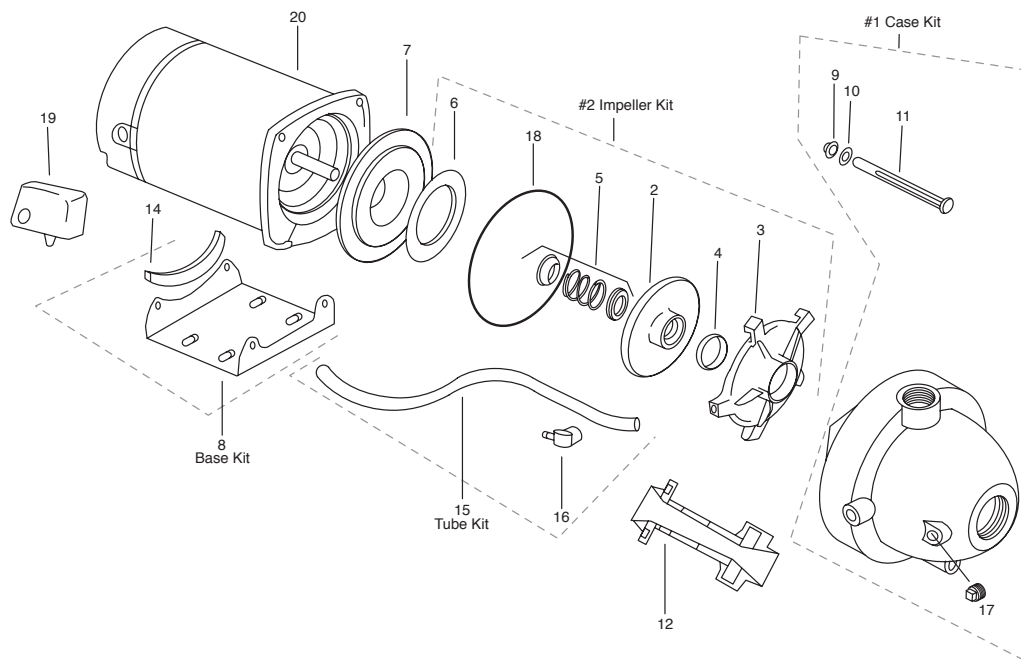


Figure No.	Old No.	New No.	Description
1	03-0873-00-R	03-0873-00-K	Plastic Case Kit w/ fasteners & plugs
	03-0892-08-R	03-0892-08-K	Cast Iron Case Kit w/ fasteners & plugs
All Impeller Kits include: Impeller, diffuser, wear ring, mech. seal, O-ring, disk.-No. 2,3,4,5,6,18			
2	05-3800-37-R	05-3800-37-RKIT	Impeller Kit S5CY - S5CCY
	05-3922-04-R	05-3922-04-RKIT	Impeller Kit 5CY - S7CY - 5CCY - S7CCY - 5SWJ
	05-3923-03-R	05-3923-03-RKIT	Impeller Kit 7CY - S1CY - 7CCY - S1CCY - 7SWJ
3	06-0119-02-R	See Item #2	Now included with impeller kits
4	08-0845-19-R	See Item #2	Now included with impeller kits
5	10-0002-06		Mechanical Seal (also included w/ Impeller kits)
6	11-1502-08-R	See Item #2	Disc f/5SCY, 5CY, S7CY, 5SWJ, (now included w/imp. kits)
	11-1503-07-R	See Item #2	Disc f/7CY, S1CY, 7SWJ, (now included w/imp. kits)
7	11-1521-05-R		Seal Plate 6-1/2" dia.
8	12-1057-06-R		Base assy. w/ rubber protector #14
9	14-0727-22-R	14443204K	*Fastener Kit
10	14-0722-19-R	14443204K	*Fastener Kit
11	14-1302-23-R	14443204K	*Fastener Kit
	14-1296-13-R	14443204K	*Fastener Kit
12	18-0449-09-R		Nozzle & venturi for 1/2HP
	18-0450-05-R		Nozzle & venturi for 3/4HP
14	22-5525-09-R	12-1057-06-R	Now included with Base #8
15	31-1197-04-R014	31-1197-04-K	Tube Kit 1/4 x 14-1/2" long w/barb
16	31-1198-03-R	31-1197-04-K	Tube Kit w/barb see #15 included
17	31-0059-11-R	31-0059-11-06PK	Plug 1/4" Galv. (Available in 6 pack only)
18	47-0361-48-R	47-0361-48-02PK	O-ring Kit 6 x 6-3/8 x 3/16 (2 per kit)
19	9195-1061-R020	69ES1AZ20-40P	Pressure Switch set 20-40

*Fastener Kit #14443204K includes the following:

- 4 each 3/8 - 16 Hex Nuts
- 4 each 3/8 reg. Lockwashers
- 4 each 3/8 - 16 x 2-3/4 Hex capscrews f/ plastic pump body
- 4 each 3/8 - 16 x 1-1/4 Hex capscrews f/ cast iron pump body

Deep Well Jet Pump

Models S-DEEP

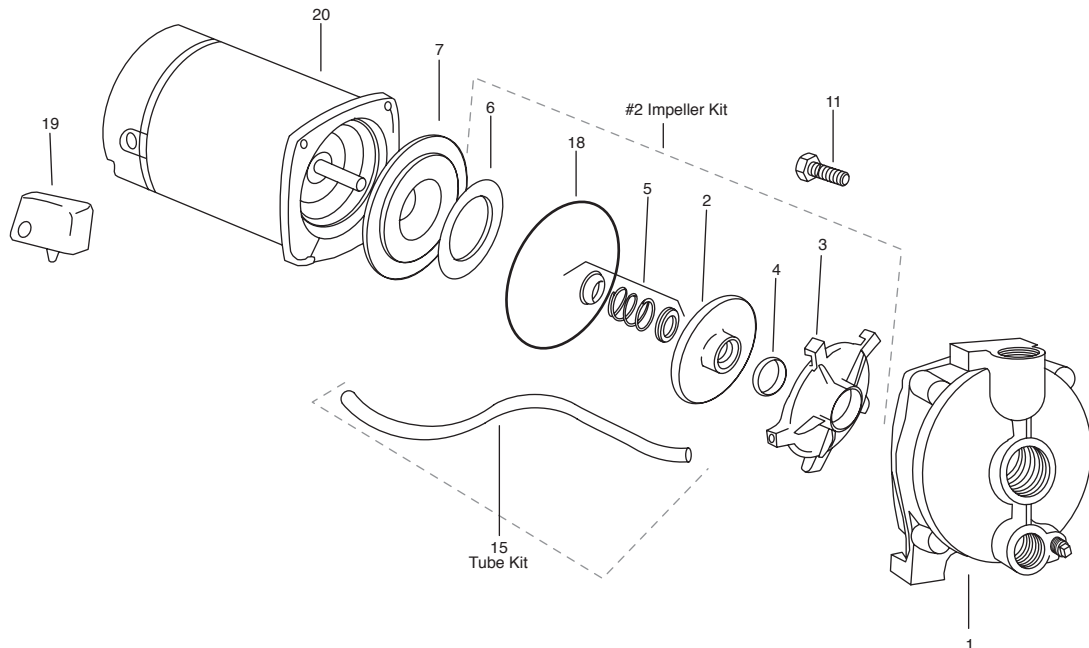


Figure No.	Old No.	New No.	Description
1	03-0886-06-R	New Descr.	Case Assy. C.I. Kit w/ fasteners & plugs
All Impeller Kits include: Impeller, diffuser, wear ring, mech. seal, O-ring, disk.-No. 2,3,4,5,6,18			
2	05-3857-03-R	05-3857-03-RKIT	Impeller Kit f/ 1HP
	05-3922-04-R	24-0139-06	Impeller Kit f/ 1/2HP
	05-3923-03-R	05-3923-03-RKIT	Impeller Kit f/ 3/4HP
3	06-0119-02-R	See Item #2	Now included with impeller kits 3/4 & 1HP
	06-0118-03-R	See Item #2	Now included with impeller kit 1/2HP
4	08-0845-19-R	See Item #2	Now included with impeller kits
5	10-0002-06		Mechanical Seal (also included with impeller kits)
6	11-1502-08-R	See Item #2	Disc for 1/2HP (now included w/ impeller kits)
	11-1503-07-R	See Item #2	Disc for 3/4HP & 1HP (now included w/ impeller kits)
7	11-1521-05-R		Seal Plate 6-1/2" dia.
11	14-1296-13-R	14443204K	* Fastener Kit
15	31-1197-04-R014	31-1197-04-K	Tube Kit 1/4 x 14-1/2 poly-black w/barb ftg.
18	47-0361-08-R	47-0361-48-02PK	O-ring Kit 6x6-3/8x3/16 (2 per kit)
19	9195-1061-R020	69ES1AZ20-40	Pressure Switch set 20-40
20	Motor		See Motor Selection page

*Fastener Kit #14443204K includes the following:
4 each 3/8 - 16 x 1-1/4 Hex capscrews Pl.

Convertible Well Jet Pump

Models SRP3, CWJ

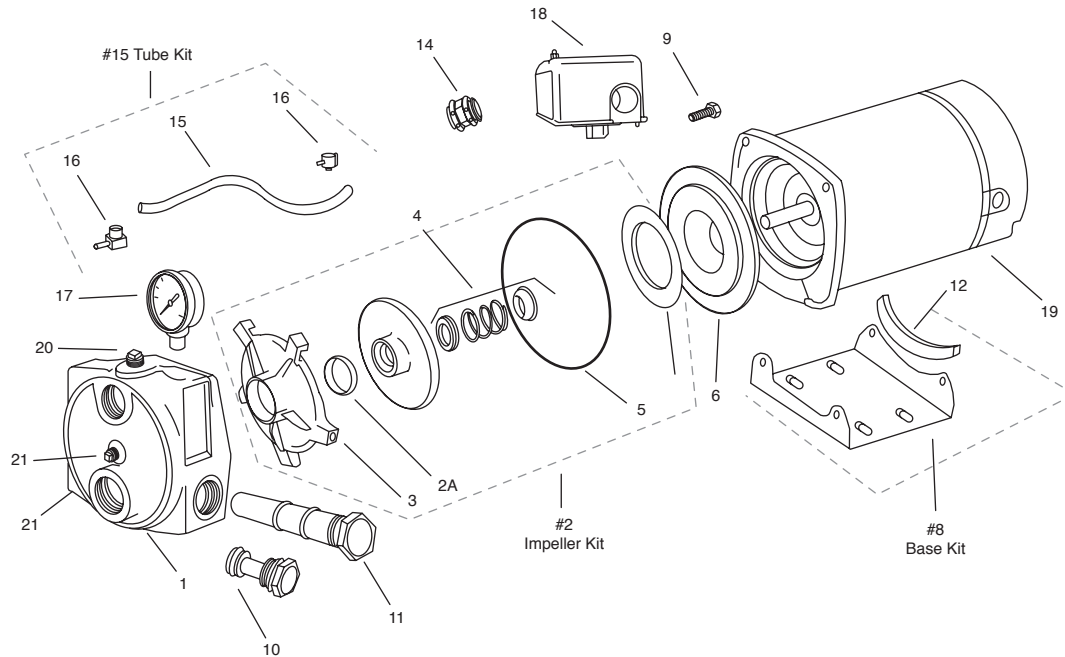


Figure No.	Old No.	New No.	Description
1	03-0838-05-R	New descr.	Case Kit w/wear ring - plugs - capscrews #2A & 9
	All Impeller Kits include: Impeller, diffuser, wear ring, mech. seal, O-ring, disk.-No. 2,3,4,5,7,2A		
2	24-0139-06	24-0139-06	Impeller Kit 1/2HP
	05-3857-03-R	05-3857-03-RKIT	Impeller Kit 1HP
	05-3923-03-R	05-3923-03-RKIT	Impeller Kit 3/4HP
2A	08-0845-19-R	See Item #2	Wear ring (now included w/impeller kits)
3	06-0118-03-R	See Item #2	Diffuser f/ 1/2HP (now included w/impeller kits)
	06-0119-02-R	See Item #2	Diffuser f/ 3/4HP & 1HP (now included w/impeller kits)
4	10-0002-06		Mechanical Seal (also included w/impeller kits)
5	47-0361-48-R	47-0361-48-02PK	Case O-ring Kit 6 x 6-3/8 x 3/16 (2 per kit)
6	11-1521-05-R		Seal Plate 6-1/2" dia.
7	11-1502-08-R	See Item #2	Disc. for 1/2HP (now included w/impeller kits)
	11-1503-07-R	See Item #2	Disc. for 3/4HP & 1HP (now included w/impeller kits)
8	12-1057-06-R	New descr.	Base w/Protector #12
9	14-1296-13-R	14443204K	*Fastener Kit
10	18-1290-07-R		Deep Well Plug Assembly
11	18-1248-00-R		Shallow Well Injector for 3/4HP & 1HP
	18-1247-01-R		Shallow Well Injector for 1/2HP
12	22-5525-09-R	12-1057-06-K	Now included with Base #8
14	23-2647-08-R		Box Spacer
15	31-1197-04-R014	31-1197-04-K	Tube Kit 1/4 x 14-1/2' long w/barb
16	31-1198-03-R	31-1197-04-K	Barb ftg. 90° elbow (now included w/#15 tube kit)
17	9193-4018-R	9193-4018	Pressure Gauge 0-100# 1/4M (see accessory pages)
18	9195-7027-R020	69ES1AZ20-40	Pressure Switch set 20
19	Motor		See Motor Selection Page
Kit		24-0085-00	Convertible Jet "seal/o-ring Kit" incl mech seal, Injector O-rings, & case o-ring

*Fastener Kit #14443204K includes the following:
4 each 3/8 - 16 x 1-1/4 Hex capscrews

Convertible Well Jet Pump

Models RP2

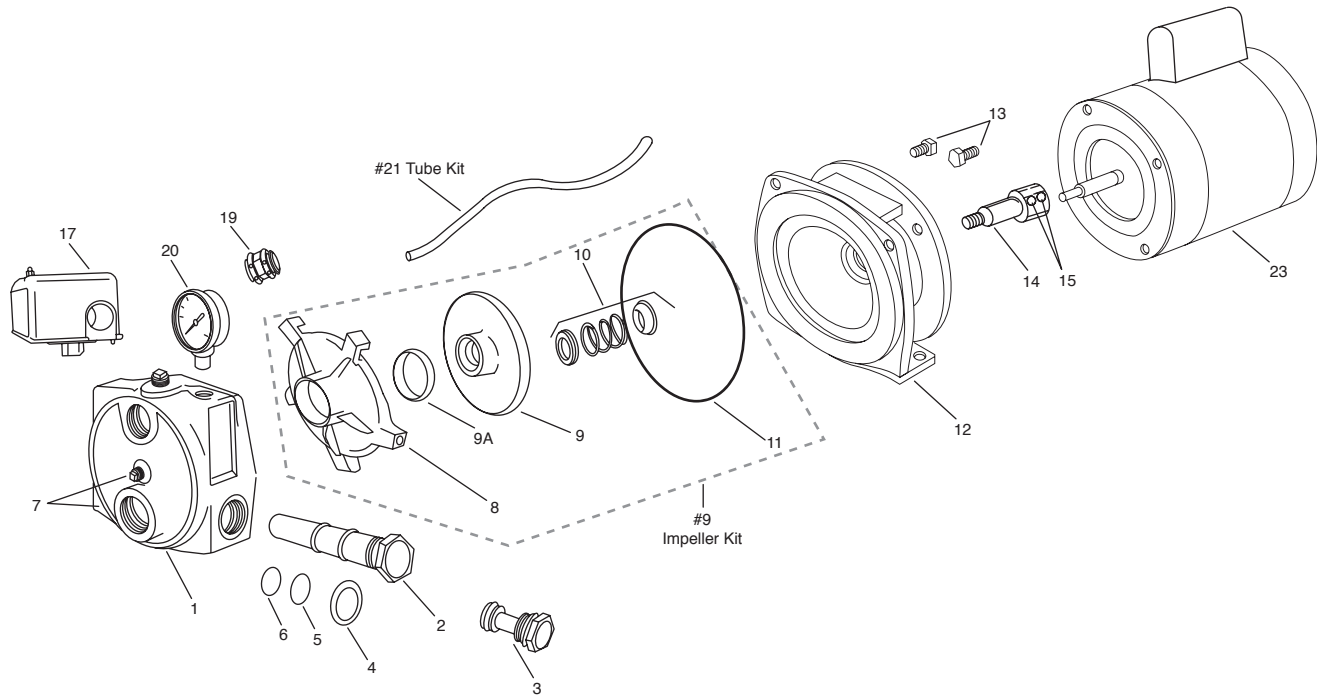
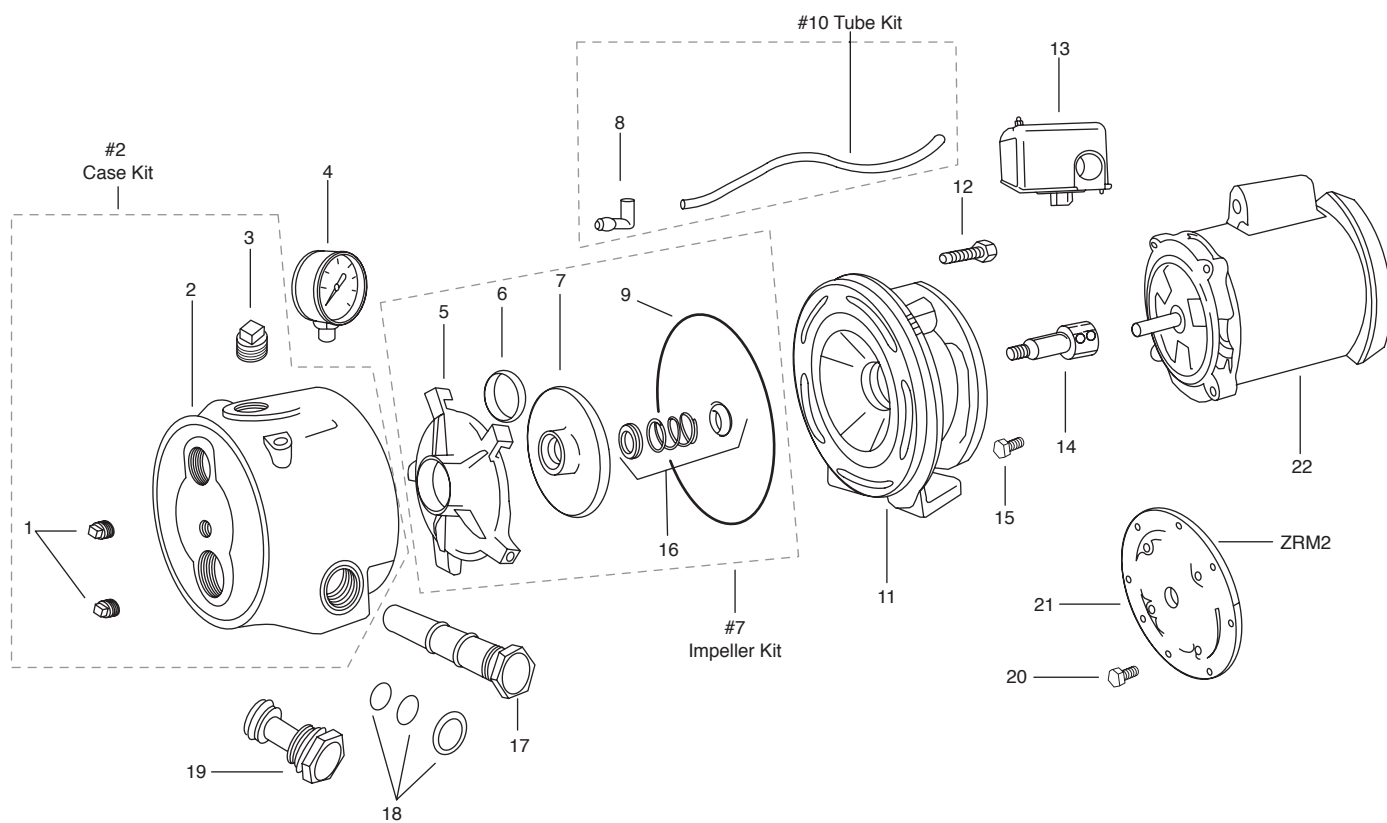


Figure No.	Old No.	New No.	Description
1	03-0636-09-R		Case Kit w/wear ring #9A and plugs #7
2	18-1247-01-R		Shallow well injector #1023 f/ 5RP2
	18-1248-00-R		Shallow well injector #1034 f/ 7RP2
3	18-1290-07-R		Deep well plug assembly
4	47-0120-00-R	24-0123-04	Seal O-ring kit
5	47-0115-07-R	24-0123-04	Seal O-ring kit
6	47-0116-06-R	24-0123-04	Seal O-ring kit
7	31-0059-11-R	31-0059-11-06PK	Plug 1/4" galv. (available in 6 pack only)
All Impeller Kits Include: Impeller, diffuser, mech. seal, sq.-ring- Fig. No. 8,9,9A,10,11			
8	06-0118-03-R	See Item #9	Diffuser for 5RP2 (now included w/impeller kits)
	06-0119-02-R	See Item #9	Diffuser for 7RP2 (now included w/impeller kits)
9	05-3074-00-R	24-0121-06	Impeller Kit f/ 5RP2
	05-3075-09-R	24-0122-05	Impeller Kit f/ 7RP2
9A	08-0845-19-R	See Item #9	Wear Ring (now included w/impeller kits)
10	10-1203-01		Mechanical Seal (also included w/impeller kits)
11	47-0258-53-R	47-0258-53-02PK	Square ring kit 6 x 1/8 x 1/8 (2 per kit)
12	02-1101-04-R	New desc.	5RP2 Brkt 4-3/4 Imp fit #4933 w/ capscrews #13
	02-1102-03-R	New desc.	7RP2 Brkt 5" Imp fit #4933 w/ capscrews #13
13	14-1292-25-R	14443303K	*Fastener Kit
14	07-21521-05-R001		Shaft Coupling w/set screws 7/16 thrd.
15	14-0002-02-R	14-0002-02-24PK	Set Screw Kit (kit includes 24 per pack)
17	9195-7027-R020	69ES1AZ2040	Pressure Switch set 20-40
18	31-1198-03-R	31-1197-04-K	Tube Kit 1/4 x 14-1/2" Long w/barb
19	23-2647-08-R		Box Spacer
20	9193-4018-R	9193-4018	Pressure Gauge 0 - 100 lbs. "see accessory page"
21	31-1197-04-R014	31-1197-04-K	Tube Kit 1/4 x 14-1/2" long w/barb #18
22	31-0063-07-R		1" Plug (also included with case item #1)
23	Motor		See Motor Selection page
Kit		24-0123-04	RP2 Convertible jet "Seal/O-Ring Kit" Includes No's 4,5,6,10,11

*Fastener Kit #14443203K includes the following:
8 each 3/8 - 16 x 3/4 Hex capscrews

Convertible Well Jet Pump

Models RM2, PRM3, & CWJ Pro



Convertible Well Jet Pump

Models RM2, PRM3, & CWJ Pro

Figure No.	Old No.	New No.	Description
1	31-0059-11-R	31-0059-11-06PK	Plug 1/4" (available in 6 pack only)
2	03-0642-01-R		Pump Case with wear ring and plugs
3	31-0063-07-R		1" Plug (also included with case assy. #2)
4	9193-4018-R	9193-4018	Pressure Gauge 0-100lbs. "see accessory pg."
All Impeller Kits include: Impeller, diffuser, mech. seal, sq. ring, wear ring. Fig. Nos- 6,7,8,16			
5	06-0104-09-R	See Item #7	Diffuser for 1/2HP (now included with impeller kits)
	06-0108-05-R	See Item #7	Diffuser for 3/4HP (now included with impeller kits)
	06-0106-07-R	See Item #7	Diffuser for 1HP (now included with impeller kits)
6	08-0845-19-R	See Item #7	Wear Ring (now included with impeller kits)
7	05-3811-08-R	24-0145-08	Impeller Kit f/ 1/2HP
	05-3417-06-R	24-0146-07	Impeller Kit f/ 3/4HP
	05-3418-05-R	24-0149-04	Impeller Kit f/ 1HP
	05-2727-03-R	24-0172-46	Impeller Kit f/ 1PRM3
For units built prior to 7/96 use the following impeller kits, they include new shaft coupling, impeller, diffuser, mech. seal, sq. ring. Fig. Nos- 5,6,7,9,14,16			
8	31-0093-01-R	31-0020-09-R016	Elbow Fitting (now available with #10 copper tube kit)
	31-1198-03-R	31-1197-04-K	Elbow ftg. barb. for PRM3 (see tube kit #10)
9	47-0262-57-R	47-0262-57-02PK	Square-Ring Kit (2 per kit)
10	31-0020-09-R016		Copper tube kit 16-1/2" long with elbow #8
	31-1197-04-R014	31-1197-04-K	Tube Kit 1/4 x 14-1/2 long w/ barb #8
11	02-1255-05-R	02-1255-05-K	Bracket Kit f/ 1/2HP w/fasteners
	02-1256-07-R	02-1256-07-K	Bracket Kit f/ 3/4HP w/fasteners
	02-1272-07-R	02-1272-07-K	Bracket Kit f/ 1HP w/fasteners
	02-1363-07-R	02-1363-07-K	Bracket Kit f/ 1HP PRM3 w/fasteners
12	14-4227-03-R	14443303K	*Fastener Kit
13	9195-1269-R030	69ES1AZ3050	Pressure Switch set 30-50PSI F/other than PRM3
	9195-0865-R	69ES1AZ2T3050	Pressure Switch set 30-50PSI F/PRM3
14	07-3610-09-R001		Shaft Coupling 9/16 thrd. w/ set screws
	07-2152-05-R001		Shaft Coupling 7/16 thrd. w/ set screws
15	14-1292-25-R	14443303K	*Fastener Kit
	14-1294-23-R	14443303K	*Fastener Kit
16	10-1203-01		Mechanical Seal 3/4" all but PRM3 (also included w/imp. kits)
	10-1202-02		Mechanical Seal 5/8" f/PRM3 (also included w/imp. kits)
17	18-1278-03-R		Shallow Well Injector 1024 for 1/2HP (see accessory page)
	18-1279-02-R		Shallow Well Injector 1027 for 3/4HP (see accessory page)
	18-1280-09-R		Shallow Well Injector 1028 for 1HP (see accessory page)
18	47-0123-48-R		O-Ring Kit for Injectors (includes 3 o-rings)
	18-1291-06-R		Deep Well Plug (see accessory page)
21	14-1289-12-R	14-1289-12-04PK	Capscrews 5/16-24 x 3/4 for ZRM2 (4 pack kit only)
22	11-0280-12-R		Adaptor flange for Z1RM2
Kit		24-0127-04	Seal O-ring kit; incl. mech. seal & o-rings #9,16,18
	Motor		See Motor Selection Page

*Fastener Kit #14443303K includes the following:

5 each 3/8 - 16 x 1-3/4 SS Hex Capscrew

4 each 3/8 - 16 x 3/4 PL Hex Capscrew

4 each 3/8 - 16 x 7/8 PL Hex Capscrew

Convertible Well Jet Pump

Models C- Single Stage Injector

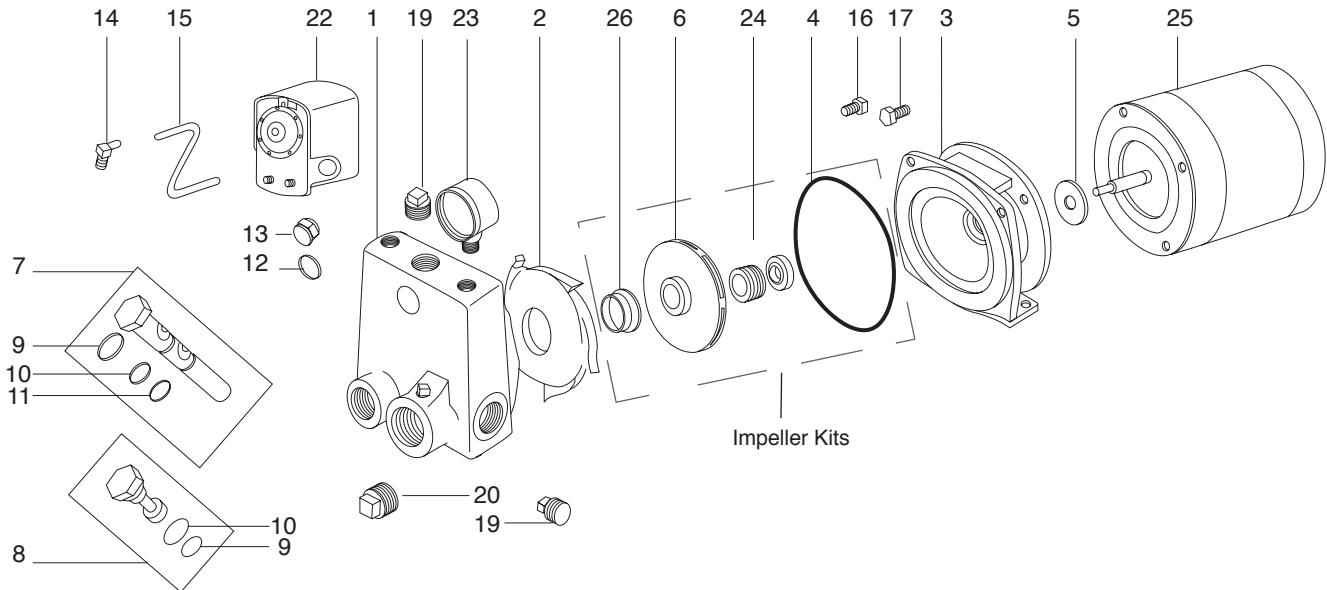
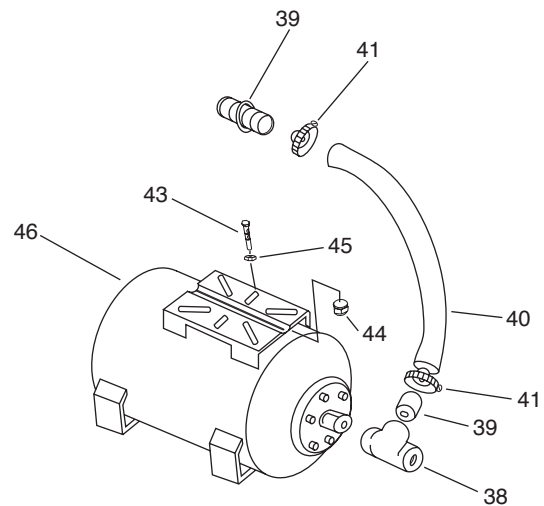


Fig. No.	Part No.	Description
1	03-0055-01-K	Case Kit w/plugs & fasteners
	06-0110-01-K	Diffuser Kit w/sq. ring #4 F/3C
2	06-0111-00-K	Diffuser Kit w/sq. ring #4 F/5C
	06-0112-09-K	Diffuser Kit w/sq. ring #4 F/7C
	02-1051-04-K	Bracket Kit w/fasteners F/3C
3	02-1052-03-K	Bracket Kit w/fasteners F/5C
	02-1053-02-K	Bracket Kit w/fasteners F/7C
4	13-1247-06-02PK	Square-ring Kit (2 per kit)
5	22-3403-01-R	Flinger 1-3/8 x37/64x1/8 NEO
Impeller Kit includes: Impeller, wear-ring, mech. seal, and sq. ring-fig nos. 4,6,24,26		
	05-3073-19-K	Impeller Kit for 3C
6	05-3074-18-K	Impeller Kit for 5C
	05-3075-17-K	Impeller Kit for 7C
	18-1200-12-R	Injector for 3C w/ o-rings
7	18-1293-04-R	Injector for 5C w/ o-rings
	18-1248-18-R	Injector for 7C w/ o-rings
8	18-1290-07-R	Deep Well Plug w/o-ring
9	24-0174-44	O-ring Kit (incl. 1 ea. #9,10,11)
12	23-1284-08-R	Locknut
13	23-2647-08-R	Box Spacer

Fig. No.	Part No.	Description
15	31-1198-04-K	Tube Kit 1/4 x 14-1/2 w/barb #14
16-17	14-4433-03-K	Fastener Kit (incl. 4ea. #16, #17)
18	31-0059-11-06PK	Plug 1/4" (avail. in 6 pack only)
19	31-0062-08	3/4" plug (incl. w/case kit)
20	31-0063-08	1" plug (incl. w/case kit)
22	9195-9726-R030	Pressure Switch 30-50set
23	9193-4018-R	Pressure Gauge
24	10-0002-06	Mech. Seal 5/8 (also w/imp. kits)
	9017-7817-R	Motor 1/3HP
25	9010-0637-R	Motor 1/2HP
	9010-0561-R	Motor 3/4HP
26	08-0845-19-06PK	Wear-ring Kit 2/92 (6ea. per kit)
40	31-3155-01-R	Hose 1"x18" PVC #150
38 thru 45	14-4409-03-K	Tank Mounting Kit
46	PJR-25S	Pressure Tank



End Suction Centrifugal Pump

Models DDD & DDS

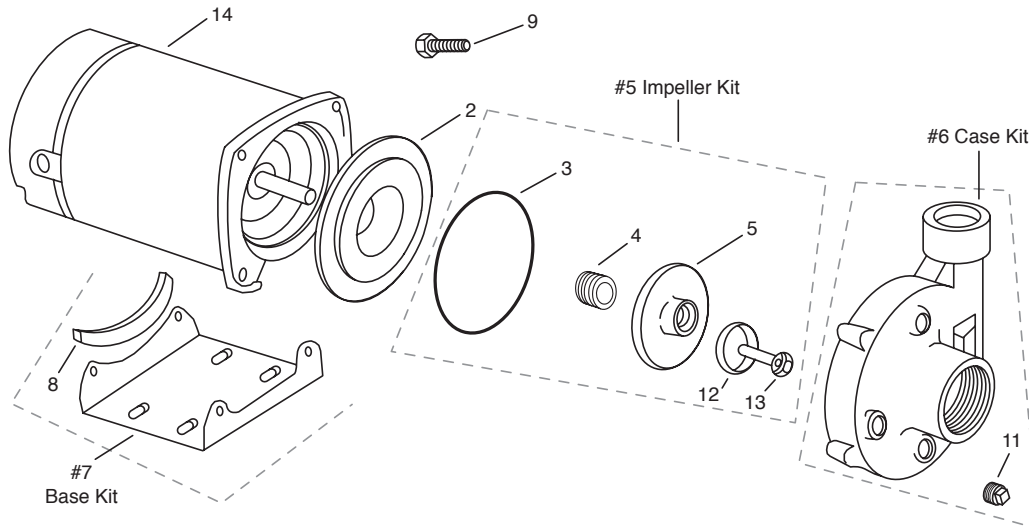


Figure No.	Old No.	New No.	Description
2	11-0063-01-R		Seal Plate
3	47-0258--53-R	47-0258-53-02PK	Square Ring Kit 6 x 1/8 x 1/8 (2 per kit)
4	10-1436-18		Mechanical Seal (also included with impeller kits)
All Impeller Kits include: impeller, sq. ring, seal, wear ring, fasteners.-Fig. Nos. 3,4,5,12,13			
5	05-3886-08-R		5DD1 Impeller Kit 4.605 Dia.
	05-3887-07-R	05-3889-05-K	7DD1 Impeller Kit 5.0 Dia.
	05-3888-06-R		1DD1 Impeller Kit 5.25 Dia.
	05-3889-05-R		15DD1 Impeller Kit 5.315 Dia.
	05-9646-05-R		5DD1-T Impeller 4.60 Dia.
	05-9650-00-R		7DD1-T Impeller 5.00 Dia.
	05-9652-50-R		1DD1-T Impeller 5.25 Dia.
6	05-9652-15-R		15DD1-1/4-T Impeller 5.31 Dia.
		03-0850-17-R	Case Assembly kit w/plugs #11 1/2HP thru 1.5HP
7	12-1057-06-R		Base f/48 Frame with motor pad #22552509
	12-1060-03-R	12-1060-03-K	Base f/56 Frame with motor pad #22552509
8	22-5525-09-R	See Item #7	Motor Pad (now included with #7 base kit)
9	14-1295-06-R	14443402K	*Fastener Kit
11	310059-11-R	31-0059-11-06PK	Plug 1/4" galv. (available in 6 pack kit only)
12	08-0845-19-R	See Item #5	Wear Ring for 1/2HP thru 1.5HP (now included with impeller kits)
13	14-4354-08-R	14443402K	*Fastener Kit (also included w/impeller kit)
	14-4353-09-R	14443402K	*Fastener Kit (also included w/impeller kit)
14	Motor		See Motor Selection Page
Kit		24-0173-45	Seal sq. ring kit, includes mech. seal & sq. ring Fig. Nos. - 3,4

*Fastener Kit #14443402K includes the following:
 4 each 3/8 - 16 x 1-1/8 PL Hex Capscrew
 1 each 1/4 - 20 x 1-3/16 Hex Washer 2HP 3HP

Centrifugal Parts

Centrifugal Pump

Models DA1A & DA1B

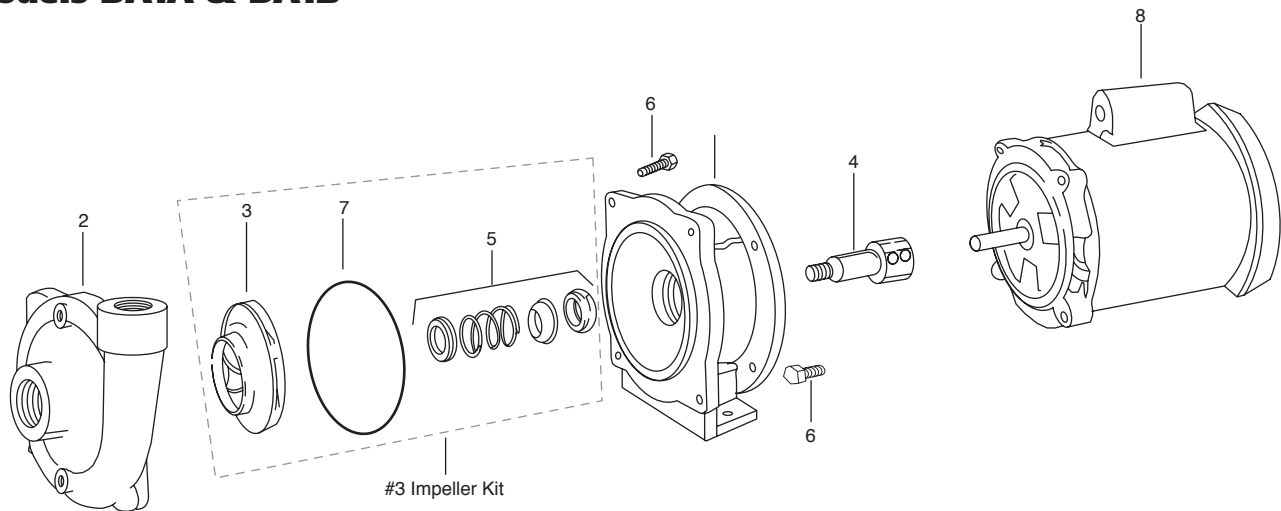


Figure No.	Old No.	New No.	Description
1	02-0905-04-R	New Descr.	DA1A BKT #3220 4-1/2Mx5-3/16 w/fateners
2	03-0763-04-R	New Descr.	DA1A/B, Case assy. w/plugs
Impeller Kits include: Impeller, Mech. Seal, O-Ring #'s: 3,5,7			
When replacing impeller for unit build prior to 7/96 you must also replace #4 cplg. w/9/16 cplg#07-3610-09-R001			
3	05-3705-07-R	**05-3946-06-K	Impeller Kit f/3DA1A 3-13/16dia w/ 9/16 thread
	05-3059-09-R	**05-3947-05-K	Impeller Kit f/5DA1A 4-1/8dia w/ 9/16 thread
	05-3074-18-R	**05-3949-03-K	Impeller Kit f/7DA1A 4-11/16dia w/ 9/16 thread
	05-3727-01-R	**05-3948-04-K	Impeller Kit f/1DA1A 5-1/16dia w/ 9/16 thread
	05-3706-06-R	**05-3941-01-K	Impeller 3-3/4 dia. (discontinued)
	05-3707-05-R	**05-3941-01-K	Impeller Kit f/ 7DA1B
	05-3708-04-R	**05-3942-00-K	Impeller Kit f/ 1DA1B 4-1/4dia w/ 9/16 thread
	05-3728-00-R	**05-3943-09-K	Impeller Kit f/ 1.5DA1B 4-11/16dia w/ 9/16 thread
	05-3701-01-R		Impeller Kit f/ 2DA1B 5-1/16dia w/ 9/16 thread
4	07-2152-05-R001		Coupling w/set screws (for units built prior to 7/96)
	**07-3610-09-R001		Coupling w/set screws (for units built after 7/96) 9/16 thrd
5	10-1203-01		Mechanical Seal (also included with impeller kits)
6	14-1292-25-R	14443303K	*Fastener Kit
7	47-0161-00-R	47-0161-00-02PK	O-Ring (2 per kit)
8	Motor		See Motor Selection Page
Kit		24-017352	Seal O-Ring Kit includes: Mech. Seal & O-Ring fig. #'s: 5,7

*Fastener Kit #14443303K includes the following:
8 each 3/8 - 16 x 3/4 PL Hex Capscrew

Models DB1 & DB1-1/2

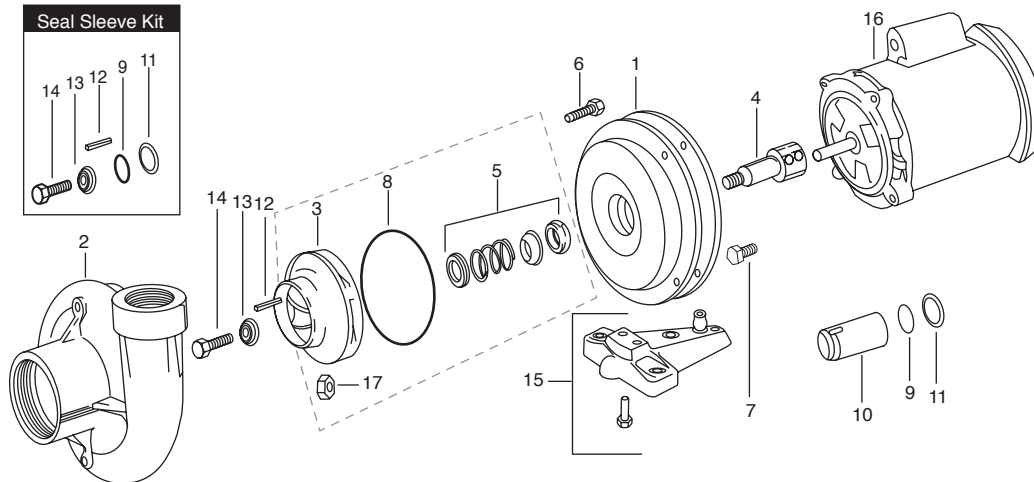


Figure No.	Old No.	New No.	Description
1	02-1264-07-R		Bracket Assy. 4-1/2" x 6-1/2" 3/4HP thru 3HP w/base#15
	02-1590-02-R		Bracket Assy. 4-1/2" x 6-1/2", 5HP & 7.5HP
2	03-0764-02-R		Case Assy. w/pugs f/DB1
	03-0767-00-R		Case Assy. w/plugs f/DB1-1/2
All Impeller Kits include: Impeller, Mech. Seal, Jam Nut, O-Ring			
3	05-3711-09-R	05-3711-09-K	Impeller Kit 4-1/2 dia. f/3/4HP DB1
	05-1632-09-R	05-1632-09-K	Impeller Kit 4-3/4 dia. f/1HP DB1
	05-1638-03-R	05-1638-03-K	Impeller Kit 5-3/16 dia. f/1.5HP DB1
	05-1643-06-R	05-1643-06-K	Impeller Kit 5-1/2 dia. f/2HP DB1
	03-1653-03-R	03-1653-03-K	Impeller Kit 6-1/2 dia. f/3HP DB1
	05-1790-23-R		Impeller 6-7/16" dia. 5HP, DB1
	05-3709-03-R		Impeller 3-15/16" dia. 1HP, DB1-1/2
	05-3710-00-R		Impeller 4-5/16" dia. 1.5HP, DB1-1/2
	05-1665-09-R		Impeller 4-5/8" dia. 2HP, DB1-1/2
	05-1673-09-R		Impeller 5-1/8" dia. 3HP, DB1-1/2
	05-1816-23-R		Impeller 5-3/4" dia. 5HP, DB1-1/2
05-1823-24-R		Impeller 6-7/16" dia. 7.5HP, DB1-1/2	
4	07-3610-09-R001		Shaft Coupling 9/16" thrd. w/setscrews 3/4HP thru 3HP
5	10-1203-01		3/4 Mechanical Seal f/3/4HP thru 3HP (also incl. in Impeller Kits)
	10-0369-03		1-1/4" Mechanical Seal f/5HP thru 7.5HP
6	14-1292-25-R	14443501K	*Fastener Kit
7	14-1295-06-R	14443501K	*Fastener Kit
	14-1330-29-R	14443501K	*Fastener Kit
8	47-0165-06-R	47-0165-06-02PK	O-Ring (2 per kit) (also incl. in Impeller Kits)
9	47-0022-09-R	47-0022-09-02PK	Sleeve O-Ring for 5 & 7HP (2 per kit)
10	08-2872-03-R		Seal Sleeve 1-1/4" x 1" SS f/5HP & 7.5HP
11	13-0384-01-R	13-0384-01-02PK	O-Ring Kit 1" Sleeve f/ 5 & 7.5HP (2 per kit)
12	14-4124-07-R	24-0172-79	Seal Sleeve Kit
13	14-4226-04-R	24-0172-79	Seal Sleeve Kit
14	14-1292-33	24-0172-79	Seal Sleeve Kit
15	12-1036-02-R		Base w/fasteners f/3/4HP thru 3HP
16	Motor		See Motor Selection Page
17	New Eff. 1/30/02	14-4420-08-06PK	Jam Nut Kit 9/16-18 NF SS eff. 1/30/02 (6 per kit)
Kit	New	24-0172-79	Seal Sleeve Kit f/5 & 7.5HP (includes #'s 8,9,11,12,13,14)
Kit	New	24-0173-52	Seal/O-Ring Kit 3/4 thru 3HP (includes #'s 5, 8)

*Fastener Kit #14443501K includes the following:

- 8 each 3/8 - 16 x 3/4 PL Hex Capscrew, 1 each 3/8 x 3/4 Capscrew
- 4 each 3/8 - 16 x 1-1/2 PL Hex Capscrew, 1 each 9/16 - 18 NF Impeller Jam Nut
- 4 each 1/2 - 13 x 1-1/4 PL Hex Capscrew
- 1 each 3/16 x 1-1/8 Square Key
- 1 each 1-1/8 x 13/32 x 1/8 SS Impeller Washer

Model DB2

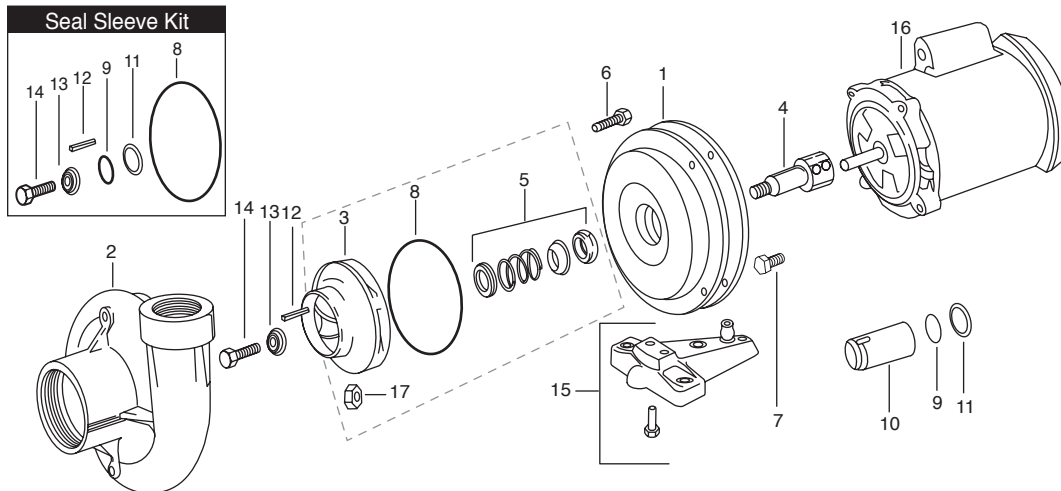


Figure No.	Old No.	New No.	Description
1	02-1264-07-R		Bracket Assy. 4-1/2" x 6-1/2" 1.5HP thru 3Hp w/base #15
	02-1590-02-R		Bracket Assy. 4-1/2" x 6-1/2" 5HP & 7.5HP
	02-1564-04-R		Bracket Assy. 8-1/2" x 6-1/2" 10HP
	Added - 2003	02-1263-08-R	Bracket#9142 - 8-1/2" x 9" 15HP & 20HP
2	03-0766-01-R		Case for 1.5HP thru 10HP
	Added - 2003	03-0762-05-R	Case for 15DB2-T and 20DB2-T
All Impeller Kits include: Impeller, Mech. Seal, Jam Nut, O-Ring			
3	05-1521-03-R	05-1521-03-K	Impeller Kit 3-13/16" dia. F/ 1.5HP
	05-1520-04-R	05-1520-04-K	Impeller Kit 4" dia. F/ 2HP
	05-1695-03-R	05-1695-03-K	Impeller Kit 4-1/2" dia. F/ 3HP
	05-1738-28-R		Impeller 5-1/8" dia. 5HP
	05-1749-25-R		Impeller 5-13/16" dia. 7.5HP
	05-1759-22-R		Impeller 6-7/16" dia. 10HP
	Added - 2003	05-3719-19-R	Impeller for 15HP
Added - 2003	05-3703-17-R	Impeller for 20HP	
4	07-3610-09-R001		Shaft Coupling 9/16" thrd. w/setscrews 1.5HP thru 3HP
5	10-1203-01		34" Mechanical Seal for 1.5HP thru 3HP (also incl. w/Imp. kits)
	10-0369-03		1-1/4" Mechanical Seal for 5HP thru 15HP
6	Added - 2003	10-0370-00	Mech. Seal for 20HP
	14-1292-25-R	14443501K	*Fastener Kit
7	14-1295-06-R	14443501K	*Fastener Kit
	14-1330-29-R	14443501K	*Fastener Kit
8	47-0165-06-R	47-0165-06-02PK	O-ring Kit (2 per kit)
	Added - 2003	47-0175-04-02PK	O-Ring kit f/ 15HP & 20HP (2 per kit)
9	47-0022-09-R	47-0022-09-02PK	Sleeve O-Ring for 5 thru 10HP (2 per kit)
	Added - 2003	47-0126-04-02PK	Sleeve O-Ring for 15 thru 20HP (2 per kit)
10	08-2872-03-R		Seal Sleeve 1-1/4" x 1" for 5HP thru 10HP
11	13-0384-01-R	13-0384-01-02PK	O-Ring Kit 5 thru 10HP (2 per kit)
	Added - 2003	13-0385-00-02PK	Spacer Sleeve sq. Ring f/DB2 20HP (2 per kit)
12	14-4124-07-R	24-0172-79	Seal Sleeve Kit
13	14-4226-04-R	24-0172-79	Seal Sleeve Kit
14	14-1292-33	24-0172-79	Seal Sleeve Kit
15	12-1036-02-R		Base w/fasteners for 3/4HP thru 3HP
16	Motor		See Motor Selection Page
17	New Eff. 1/30/02	14-4420-08-06PK	Jam Nut Kit 9/16-18 NF SS eff.1/30/02 (6 per kit)
Kit	New	24-0172-79	Seal Sleeve Kit f/5 thru 10HP- #s: 8,9,11,12,13,14
Kit	New	24-0173-78	Seal/O-Ring Kit DB2 20HP incl. 5,8,9,11
Kit	New	24-0173-52	Seal/O-Ring Kit 3/4 thru 3HP incl. 5,8

*Fastener Kit #14443501K includes the following:

- 8 each 3/8 - 16 x 3/4 PL Hex Capscrew, 1 each 1-1/8 x 13/32 x 1/8 SS Impeller washer
- 4 each 3/8 - 16 x 1-1/2 PL Hex Capscrew, 1 each 3/8 - 16 x 3/4 Capscrew
- 4 each 1/2 - 13 x 1-1/4 PL Hex Capscrew, 1 each 9/16 - 18 NF Impeller Jam Nut

Model DC1-1/2

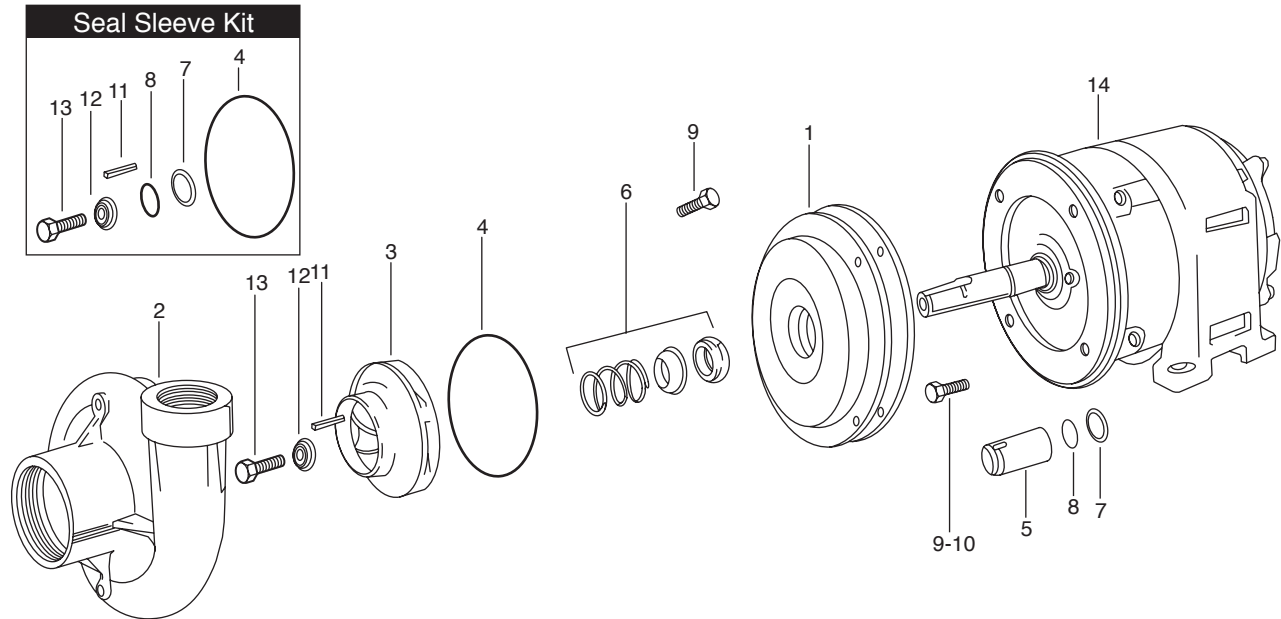


Figure No.	Old No.	New No.	Description
1	02-1593-09-R		Bracket 4-1/2" x 9" for 3HP, 5HP, 7.5HP
	02-1565-03-R		Bracket 8-1/2" x 9" for 10HP & 15HP
2	03-0765-02-R		Case Assembly for DC1-1/2
3	05-3721-07-R		Impeller 5-1/16" dia. 3HP DC1-1/2
	05-3723-05-R		Impeller 5-13/16" dia. 5HP DC1-1/2
	05-3725-03-R		Impeller 6-5/8" dia. 7.5HP DC1-1/2
	05-3714-06-R		Impeller 7-5/16" dia. 10HP DC1-1/2
	05-3702-00-R		Impeller 8-3/8" dia. 15HP DC1-1/2
	**4	47-0175-04-R	47-0175-04-02PK
5	08-2872-03-R		Seal Sleeve 1-1/4" x 1" SS for 3HP thru 15HP
6	10-0369-03		1-1/4" Mechanical Seal 3HP thru 15HP
**7	13-0384-01-R	13-0384-01-02PK	O-Ring B-N 1" sleeve kit 3HP thru 15HP (2 per kit)
**8	47-0022-09-R	47-0022-09-02PK	Sleeve O-Ring Kit 3 thru 15HP (2 per kit)
9	14-1292-25-R	14443501K	*Fastener Kit
10	14-1330-29-R	14443501K	*Fastener Kit
**11	14-2124-07-R	24-0172-79	Seal Sleeve Kit (key also part of fastener kit)
**12	14-4226-04-R	24-0172-79	Seal Sleeve Kit (washer also part of fastener kit)
**13	14-1292-33	24-0172-79	Seal Sleeve Kit (screw also part of fastener kit)
14	Motor		See Motor Selection Page
**Kit	New	24-0172-79	Seal Sleeve Kit 3HP thru 15HP includes #'s - 4,7,8,11,12,13

*Fastener Kit #14443501K includes the following:

- 12 each 3/8 - 16 x 3/4 PL Hex Capscrew
- 4 each 1/2 - 13 x 1-1/4 PL Hex Capscrew
- 1 each 3/16 x 1-1/8 Square Key
- 1 each 1-1/8 x 13/32 x 1/8 Impeller washer
- 1 each 3/8 - 16 x 3/4 Capscrew

Models DB3

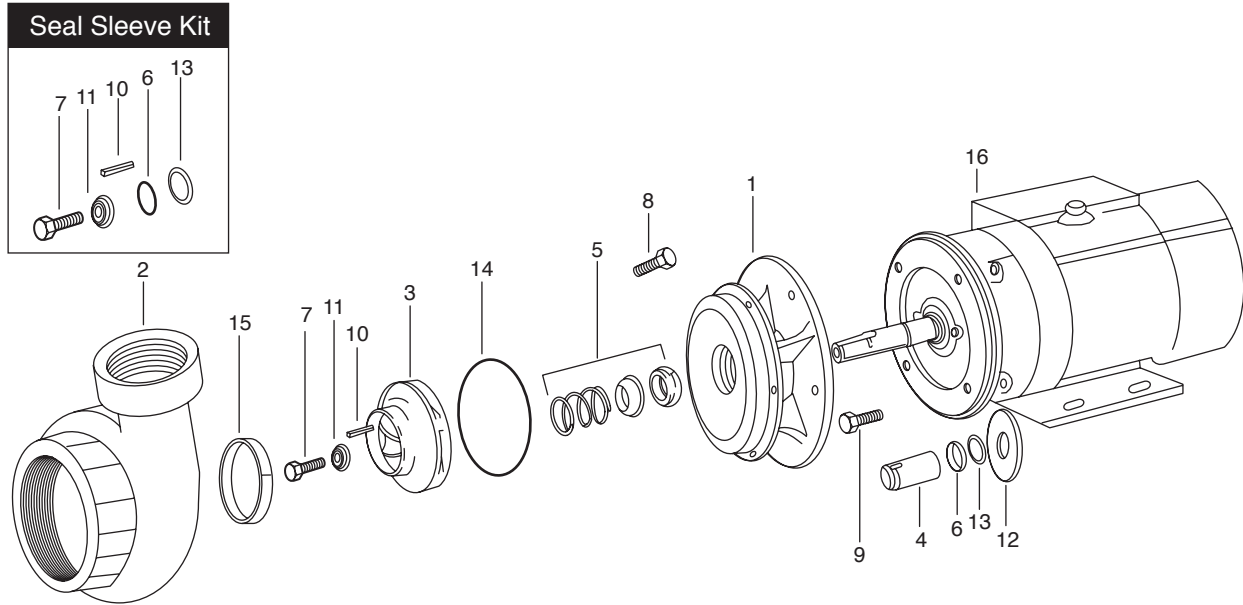


Figure No.	Old No.	New No.	Description
1	02-1590-02-R		Mtr. Bracket 4-1/2" M x 6-1/2" C for 5HP & 7.5HP
	02-1564-04-R		Mtr. Bracket 8-1/2" M x 6-1/2" C for 10HP & 15HP
	02-1390-04-R		Mtr. Bracket 8-1/2" M x 6-1/2" C for 20HP
2	03-0840-01-R		Case DB3
	05-3837-08-R		Impeller 4-1/2" dia. 5HP
3	05-3838-07-R		Impeller 4-15/16" dia. 7.5HP
	05-3839-06-R		Impeller 5-5/16" dia. 10HP
	05-3840-03-R		Impeller 5-3/4" dia. 15HP
	05-3841-02-R		Impeller 6" dia. 20HP
	08-2872-03-R		Seal Sleeve 1-1/4" x 1" SS for 1.5HP thru 15HP
4	08-2909-00-R		Seal Sleeve 1-3/4" x 1-3/8" SS for 20HP
	10-0369-03		Mechanical Seal 1-1/4" for 5HP thru 15HP
#5	10-0370-00		Mechanical Seal 1-3/4" for 20HP
	13-0384-01-R	13-0384-01-02PK	O-Ring 1" Sleeve Kit 5 thru 15HP (2 per kit)
#6*	13-0385-00-R	13-0385-00-02PK	O-Ring Sleeve Kit 20HP (2 per kit)
	14-1292-33	14443600K	*Fastener Kit
7*	14-1330-11-R	14443600K	*Fastener Kit
	14-1294-23-R	14443600K	*Fastener Kit
8	14-1295-06-R	14443600K	*Fastener Kit
	14-1787-01-R	14443600K	*Fastener Kit
9	14-0735-48-R	14443600K	*Fastener Kit
	14-4124-07-R	24-0172-79	Seal Sleeve Kit 5HP thru 15HP
10*	14-4125-06-R	24-0172-95	Seal Sleeve Kit 20HP
	14-4226-04-R	24-0172-79	Seal Sleeve Kit 5HP thru 15HP
11*	14-4292-03-R	24-0172-95	Seal Sleeve Kit 20HP
	22-0204-08-R		Deflector 5HP thru 15HP
12	22-0205-07-R		Deflector 20HP
	47-0022-09-R	47-0022-09-02PK	Sleeve O-Ring Kit 5HP thru 15HP (2 per kit)
#13*	47-0126-04-R	47-0126-04-02PK	Sleeve O-Ring Kit 20 HP (2 per kit)
	47-0165-06-R	47-0165-06-02PK	O-Ring Kit 6-1/2 x 6-11/16 (2 per kit)
15	08-2908-01-R		
16	Motor		See Motor Selection Page
Kit*	New	24-0172-79	Seal Sleeve Kit 5HP thru 15HP incl. 6,7,10,11,13
Kit*	New	24-0172-95	Seal Sleeve Kit 20HP incl. 6,7,10,11,13
Kit#	New	24-0173-60	Mech. Seal & O-Ring Kit 5-15HP incl. 5,6,13,14
Kit#	New	24-0173-78	Mech. Seal & O-Ring Kit 20HP incl. 5,6,13,14

*Fastener Kit #14443600K includes the following:

- 1 each 3/8 - 16 x 3/4 HT/TR 410SS Hex Capscrew, 1 each 1/2 - 13 x 1-1/4 HT/TR 410 SS Hex Capscrew, 4 each 3/8 - 16 x 1 PL Hex Capscrew
- 4 each 3/8 - 16 x 1-1/8 PL Hex Capscrew, 4 each 1/2 - 13 x 1 PL Hex Capscrew, 4 each 1/2-13 x 2 PL Hex Capscrew
- 1 each 3/16 x 1-1/8 303SS Square Key, 1 each 1/4 x 1-3/8 303SS Square Key, 1 each 1-1/8 x 13/32 x 1/8 Washer
- 1 each Impeller Washer

Self-Priming Centrifugal Pump

Models 8M & 10M

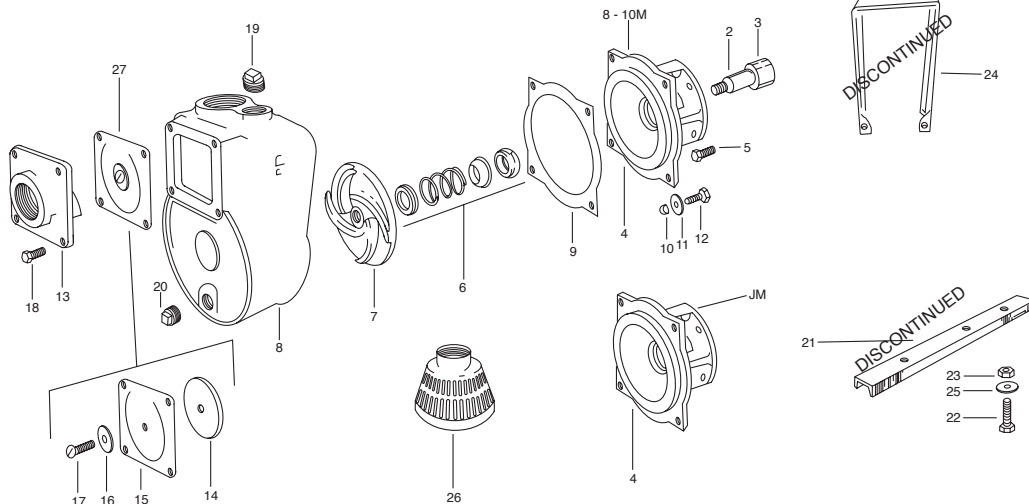


Figure No.	Old No.	New No.	Description
1	9010-2641-R		Engine 8M (discontinued)
	9010-7921-R		Engine 10M (discontinued)
2	07-3610-09-R001		Shaft Coupling 9/16" thrd. w/screws 8M & JM
	07-5769-03-R		Shaft Coupling 10M "Limited Inv't discont-yr 2004"
3	14-0002-02-R	14443808K	*Fastener Kit
4	02-0905-04-R		Bracket for JM Kit
	02-1103-02-R		To be discontinued yr2003 limited inv't available
5	02-1104-01-R		To be discontinued yr2003 limited inv't available
	14-1289-12-R	14443808K	*Fastener Kit
6	14-1292-25-R	14443808K	*Fastener Kit
	10-1203-01		Mechanical Seal 3/4" for 8M & JM Kits
7	10-1299-06		Mechanical Seal for 10M
	05-3216-09R		Impeller 8M and 3HP JM Kits
	05-3215-00-R		To be discontinued yr2003 limited inv't available
	05-3220-03-R		Impeller for 3/4HP JM Kit
	05-3219-06-R		Impeller for 1HP JM Kit
8	05-3218-07-R		Impeller for 1-1/2HP JM Kit
	05-3217-08-R		Impeller for 2HP JM Kit
9	03-0641-02-R		Case assembly w/plugs #19 & #20
10	13-0314-06-R	13-0314-06-02PK	Gasket Kit (2 per kit)
11	14-0005-17-R	14443808K	*Fastener Kit
12	14-0005-09-R	14443808K	*Fastener Kit
13	14-1293-24-R	14443808K	*Fastener Kit
14	16-0010-00-R		Check valve body
15	16-0421-11-R	16-0309-00-R	Check Valve Assembly Kit (14,15,16,17)
16	13-0090-06-R	16-0309-00-R	Check Valve Assembly Kit (14,15,16,17)
17	14-0740-09-R	14443808K	*Fastener Kit
18	14-1403-13-R	14443808K	*Fastener Kit
19	14-0743-14-R	14443808K	*Fastener Kit
20	31-0063-27-R		Plug 1"NPT included with case #8
21	31-0061-17-R		Plug 1/2"NPT included with case #8
22	12-0875-08-R		Base 2req'd "to be discontinued yr2003 limited stock"
23	14-1276-09-R	14443808K	*Fastener Kit
24	14-0726-23-R	14443808K	*Fastener Kit
25	22-1111-00-RKIT		Handle (OBS> no longer available)
26	14-1416-18-R		Lockwasher (OBS> no longer available)
27	30-0126-03-R		2" Strainer
Kit	16-0309-00-R		Check Valve Assembly Kit (14,15,16,17)
	New	24-0173-86	Seal Kit includes fig. nos. 6,9,15

*Fastener Kit #14443808K includes the following:

- 4 each 5/16 - 18 x 1 PL Hex Capscrew, 4 each 3/8 - 16 x 7/8 PL Hex Capscrew
- 1 each 5/16 - 18 x 5/8 PL Hex Capscrew, 4 each 3/8 - 16 x 3/4 PL Hex Capscrew
- 4 each Nyl. Rol. Washers, 4 each Copper Grommets, 1 each SS Washer

Self-Priming Centrifugal Pump

Models HJM1 & HJM2

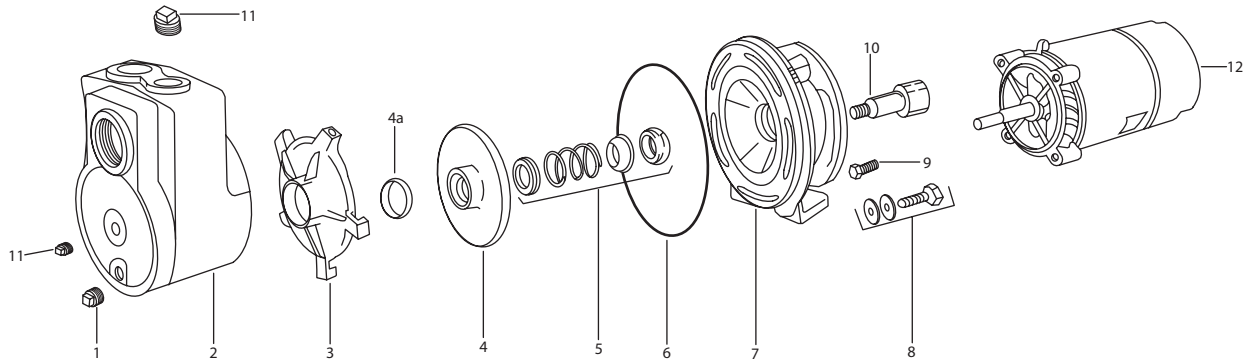


Figure No.	Old No.	New No.	Description
1	31-0061-17-R		Plug 1/2" NPT included w/case see #2
2	03-0822-03-R	03-0387-00-K	Case Kit 1-1/2" T f/1HP full rate - 1-1/2HP uprate w/w-ring
	03-0823-02-R	03-0388-09-K	Case Kit 2" T f/2HP full rate - 2-1/2HP uprate w/w-ring
	03-0821-04-R	03-0386-01-K	Case Kit 2" T f/1-1/2HP full rate - 2HP uprate w/w-ring
All Overhaul Kits include: Impeller, diffuser, mech. seal, wear-ring, O-ring, fasteners. Fig. Nos. 3,4,4A,5,6,8,9			
3	06-0115-06-R	24-0173-03	HJM1 Overhaul Kit 1HP full rate 1-1/2HP unity
	06-0116-05-R	24-0173-11	1.5HJM Overhaul Kit 1-1/2HP full rate & 2HP unity
	06-0120-09	24-0173-29	2HJM1 Overhaul Kit 2HP full rate & 2.5HP unity
	06-0141-04-R	05-0776-15-RKIT	HJM1 & 2 plastic Overhaul Kit f/ 1HP unity
4	05-3417-06-R	24-0173-03	1HJM1 Overhaul Kit Brz. Imp. f/1HP full rate & 1.5HP unity
	05-3418-05-R	24-0173-11	1.5HJM1 Overhaul Kit Brz. Imp. f/1.5HP full rate & 2HP unity
	05-3419-04-R	24-0173-29	2HJM1 Overhaul Kit Brz. Imp. f/2HP & 2.5HP unity
	05-3811-08-R		Imp. Brz. for 1HP unity (Discontinued)
	05-0776-15-R	05-0776-15-RKIT	1HJM1 & 2 Overhaul Kits Plastic Imp. f/ 1HP unity
	05-2738-00-R	05-2738-00-RKIT	1HJM1 & 2 Overhaul Kits Plastic Imp. f/ 1HP fullrate 1.5 unity
4A	05-2727-03-R	05-2727-03-RKIT	1.5HJM1 & 2 Overhaul Kits Plastic Imp. f/ 1.5HP fullrate 2 unity
	05-3267-07-R	05-3267-07-RKIT	2HJM1 & 2 Overhaul Kits Brz. imp. f/2HP fullrate & 2.5HP unity
5	08-0845-19-R		Wear Ring (Now included with case and overhaul kits)
6	10-1203-01		Mechanical Seal 3/4" f/HJM1 (also included in OH kits)
	10-1202-02		Mechanical Seal 5/8" f/HJM2 (also included in OH kits)
7	47-0262-57-R	47-0262-57-02PK	Sq. Ring Kit (2 per kit)
	02-1255-08-R		Bracket for 1HP unity (with fasteners)
	02-1256-07-R		Bracket for 1HP fullrate & 1.5HP unity (with fasteners)
	02-1272-07-R		Bracket for 1.5HP fullrate & 2,2.5HP unity (with fasteners)
	02-1364-06-R		Bracket for 1HP unity HJM2
	02-1362-08-R		Bracket for 1HP full rate & 1-1/2HP unity HJM2
	02-1363-07-R		Bracket f/ 1.5 & 2HJM2 full rate & 2, 2.5HP unity (with fasteners)
8	14-4227-03-R	14443303K	*Fastener Kit
9	14-1292-25-R	14443303K	*Fastener Kit
	14-1294-23-R	14443303K	*Fastener Kit
10	07-3610-09-R001		Coupling w/setscrews f/9/16 thrd. HJM1 mtr. shaft
11	31-0059-11-R	31-0059-11-06PK	Plug Kit 1/4" (6 per kit) also included w/case
12	Motor		See Motor Selection Page

*Fastener Kit #14443303K includes the following:

- 5 each 3/8 - 16 x 1-3/4 PL Hex Capscrews
- 4 each 3/8 - 16 x 3/4 PL Hex Capscrews
- 4 each 3/8 - 16 x 1 PL Hex Capscrews

Self-Priming Centrifugal Pump

Models Typhoon, TY & TYCI

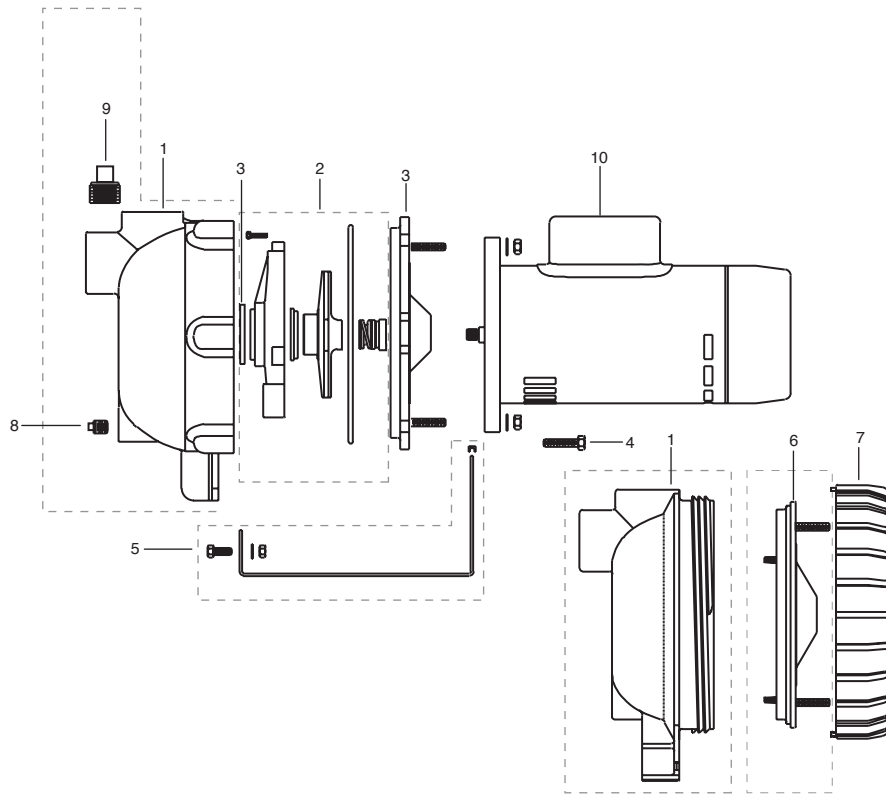


Figure No.	Old No.	New No.	Description
1	03-0811-09-R		Plastic Case w/drain and priming plug
	03-0045-06-R		Cast Iron Case w/drain and priming plug
	Hydraulic Repair Kits includes: Impellers, Diffuser, Seal Ring, Mech. Seal, Sq. Ring, O-Ring		
2	05-0341-03-RKIT		Hydraulic Repair Kit 3/4HP
	05-0342-02-RKIT		Hydraulic Repair Kit 1HP
	05-0344-00-RKIT		Hydraulic Repair Kit 1-1/2HP
	05-0340-01-RKIT		Hydraulic Repair Kit 2HP
3	11-0060-04-R		Plastic Seal Plate with fasteners- bolts, nuts, washers
	11-0012-03		Cast Iron Seal Plate with fasteners- studs, washers, nuts
4	14-4403-09-R		Fastener Kit f/ cast iron unit 3/8-16x1-1/2
5	12-1144-01-R		Base with fasteners and protector - 48 frame mtr.
	12-1145-00-R		Base with fasteners and protector - 56 frame mtr.
6	47-0329-51-R	47-0329-51-02PK	Square Ring Kit (2 per kit)
7	42-3723-00-R		Ring-Lok for Plastic Unit
8	31-1609-06-R	31-1609-06-02PK	Plug Kit 1/4" f/plastic unit (2 per kit) also incl. w/case
	31-0059-11-R	31-0059-11-06PK	Plug Kit 1/4" for cast iron unit (6 per kit) incl. w/case
9	31-1730-08-R		Priming Plug f/plastic unit (also included with case)
	31-0063-07-R		Priming Plug f/cast iron unit (also included with case)
10	Motor		See Motor Selection page

Booster Pump

Model H4

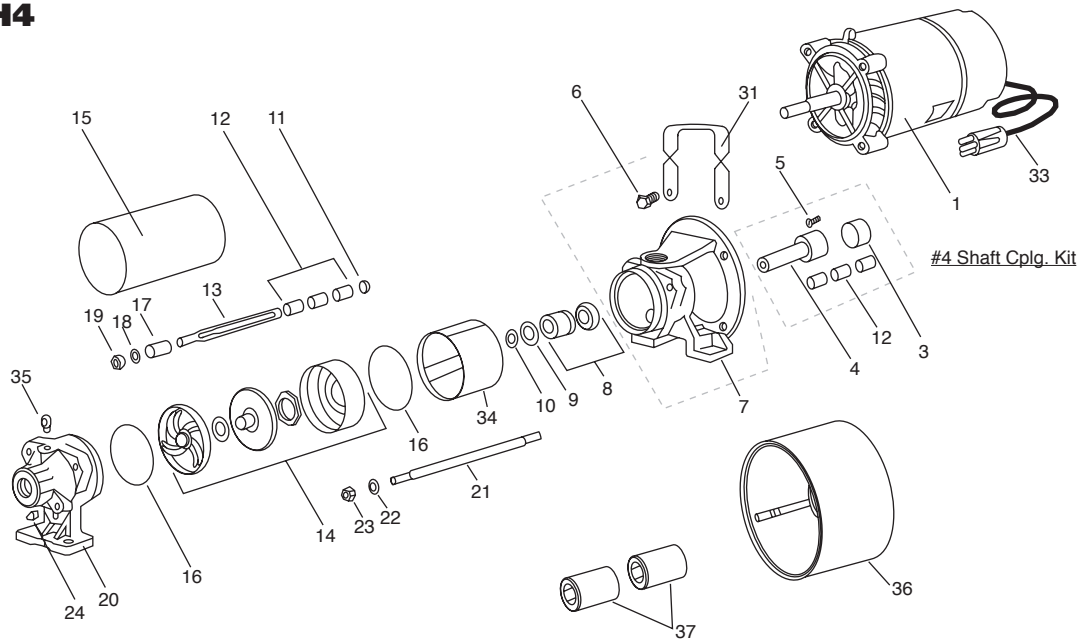
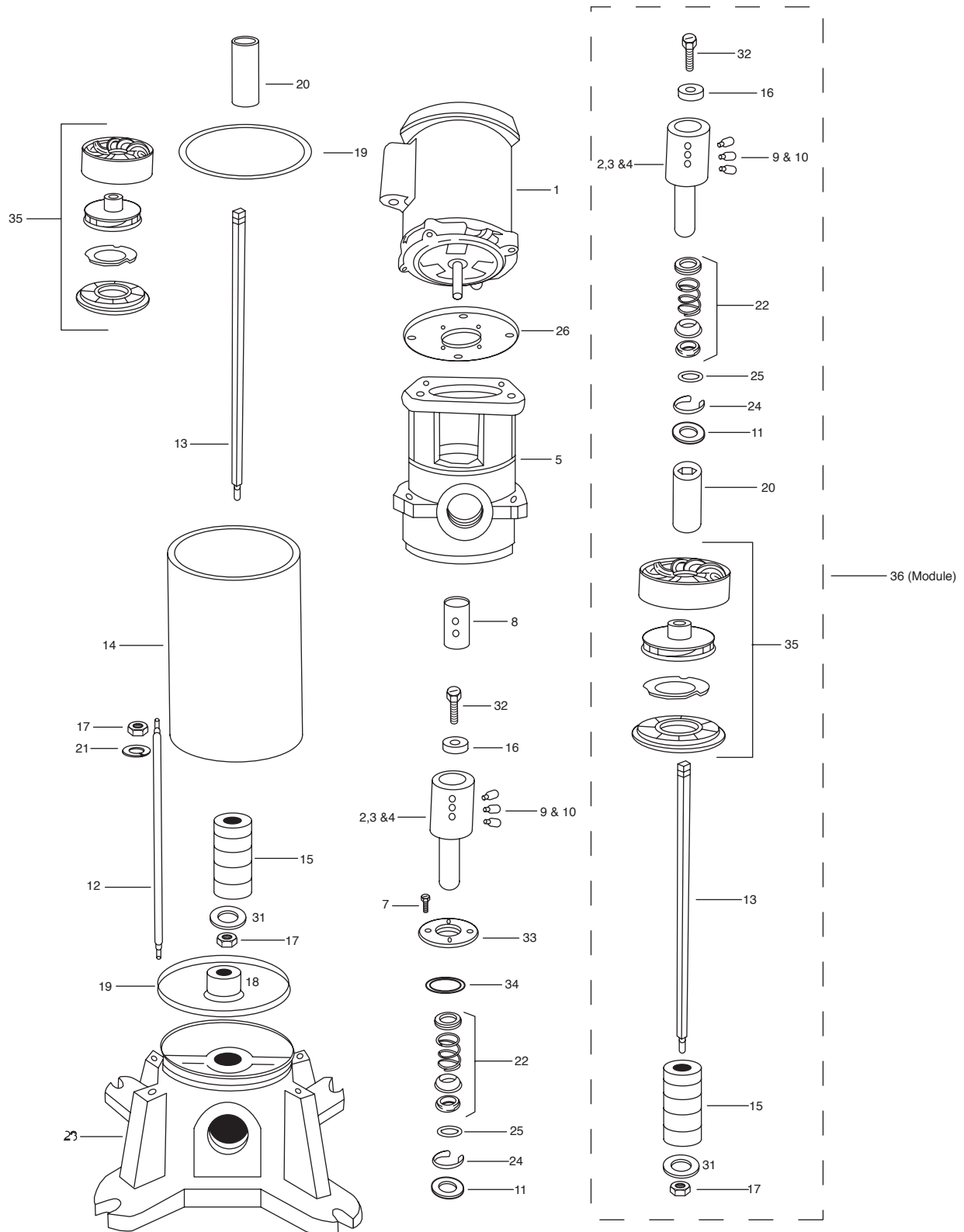


Figure No.	Old No.	New No.	Description
1	Motor		See Motor Selection page
3	23-2649-06-R		Piston Cup (also included in 24017519 component kit #38)
4	07-9035-03-RKIT		Shaft Coupling Kit w/fasteners, #12 spacers, & #3 cup
*5	14-0002-02-R	14443907K	*Fastener Kit
*6	14-1293-24-R	14443907K	*Fastener Kit
7	02-0770-05-R		Bracket with fasteners #6
8	10-1203-01		Mechanical Seal 3/4 (also included in 24017519 Kit)
*9	14-0561-05-R	24-0175-19	H4 Booster Component Kit #38 (seal washer)
*10	14-1480-27-R	24-0175-19	H4 Booster Component Kit #38 (retainer ring)
*11	14-4141-06-R	24-0175-19	H4 Booster Component Kit #38 (shaft retainer ring)
12	08-2770-06-R	24-0175-19	H4 Booster Component Kit #38 (shaft spacer 3 each)
13	Shaft		See repair kit below or consult factory
14	04-5330-06-R		5 GPM Stage Assembly
	04-5329-09-R		10 GPM Stage Assembly
	04-5621-04-R		18 GPM Stage Assembly
	04-5505-05-R		25 GPM Stage Assembly
15	Shell		See repair kit below or consult factory
16	47-0233-04-R	47-0235-02-06PK	O-Ring Kit 2 req'd (6 per pack) (also in kit #38)
	47-0235-02-R	24-0175-19	H4 Booster Component Kit #38 (o-ring 2 included)
17	08-2889-04-R	24-0175-19	H4 Booster Component Kit #38 (hex ceramic sleeve 2 ea. included)
*18	14-0756-00-R	24-0175-19	H4 Booster Component Kit #38 (washer)
*19	14-4347-08-R	24-0175-19	H4 Booster Component Kit #38 (5/16-24 Nut w/ nylok)
20	04-5461-07-R		Discharge housing w/bearing & plugs
21	Studs		See repair kit below or consult factory
*22	14-0722-19-R	24-0175-19	H4 Booster Component Kit #38 (3/8 lockwasher 3 ea. incl.)
*23	14-0727-22-R	24-0175-19	H4 Booster Component Kit #38 (3/8-16 Hex Nut 3 ea. incl.)
24	31-0059-11-R	31-0059-11-06PK	Plug Kit 1/4" (6 per kit) also incl. in H4 Booster Comp. Kit
31	12-1033-05-R		
33	23-4857-09-R		
34	30-0274-03-R		
35	16-1065-02-R	24-0175-19	H4 Booster Component Kit #38 (1/8NPT air valve included)
36		08-2323-02-R	Intermediate support w/brg. (25 GPM, 27 stage only)
37		08-2888-03-R	Hub Sleeve 2 each req'd. (25 GPM, 27 stage only)
38	New Kit	24-0175-19	H4 Booster Comp. Kit includes #- 8,9,10,11,12,16,17,18,19,22,23,35

*Fastener Kit includes the following:

- 2 each 5/16 - 18 x 3/8 Socket set screw, 1 each 039 x 100 x 006 SS Washer
- 4 each 3/8 - 16 x 7/8 PL Hex Capscrews, 1 each 5/16-24 Nut w/nylon insert
- 1 each SS Seal Washer, 1 each Retainer Ring
- 1 each Shaft Retainer Ring, 3 each 3/8-16 Nuts

Model Vertical (50-75GPM)



Booster Pump

Model Vertical (50-75GPM)

Figure No.	Old No.	New No.	Description
1	Motor		See Motor Selection page
2	77-0759-01-R		Motor Coupling 56C / 140TC w/ 5/16 setscrews
3	77-0760-08-R		Motor Coupling 180TC w/ 3/8 setscrews
4	77-0761-07-R	New description	Motor Coupling 210TC w/3/8-16 x 1/2 setscrews
5	04-5594-07-R		Bracket
6	14-1294-23-R	14444004K	*Fastener Kit
7	14-1264-11-R	14444004K	*Fastener Kit
8	08-2938-05-R		Sleeve 5/8" x 7/8" x 1-3/4"
9	14-4309-04-R	14444004K	*Fastener Kit
10	14-0004-00-R	14444004K	*Fastener Kit
11	14-4228-02-R	14444004K	*Fastener Kit
#12	Tie Rod		Consult Factory
#13	Shaft		Consult Factory
#14	Shell		Consult Factory
15	08-2912-05-R		Ceramic Sleeve (5 each required)
16	14-4298-07-R	14444004K	*Fastener Kit
17	14-0727-22-R	14444004K	*Fastener Kit
18	08-2771-05-R		Rubber Bearing
19	47-0247-08-R	47-0247-08-02PK	O-Ring Kit (2 per kit)
20	08-2772-04-R		Spacer
21	14-0722-19-R	14444004K	*Fastener Kit
22	10-0369-03		Mechanical Seal 150PSI
	10-0470-01		Mechanical Seal 400PSI
23	04-5595-06-R		Base
24	14-4297-07-R	14444004K	*Fastener Kit
25	47-0113-09-R	47-0113-09-02PK	O-Ring Kit (2 per kit)
26	11-1514-04-R	New description	Motor adpt. Flg. 180TC thru 210TC frame w/ fasteners
27	14-1787-01-R	14-1787-01-24PK	Hex Cap. Kit 1/2-13x1 4 ea. req'd (24 per kit)
28	31-0059-11-R	31-0059-11-06PK	Plug Kit 1/4" (6 per kit)
29	31-0061-17-R	31-0061-17	Plug 1/2"
31	14-4277-02-R	14444004K	*Fastener Kit
32	14-4250-03-R	14444004K	*Fastener Kit
33	11-1515-03-R		Seal Plate
34	47-0138-59-R	47-0138-59-02PK	Square-Ring Kit (2 per kit)
35	04-5646-05-R		
	04-5649-02-R	22-05764-09	V6 End-play Tool

#12-Tie Rod, #13-Shaft, #14-Shell---Consult factory for size and availability.

*Fastener Kit #14444004K includes the following:

- 4 each 3/8 - 16 x 1 PL Hex Capscrews
- 4 each 1/4 - 20 x 1/2 SS Hex Capscrews
- 3 each 3/8 - 16 x 1/2 Set Screws
- 3 each 5/16 - 18 x 1/2 Set Screws
- 1 each Washer
- 1 each 5/8 Washer
- 6 each 3/8 - 16 PL Hex Nut
- 4 each 3/8 Lockwashers
- 4 each 1/2 - 13 x 1 PL Hex Capscrews
- 1 each 5/16 - 24 x 1 Capscrew

GPM	HP	Stages	Fig. 36 Module No.
50	1.5	2	9132-4517
50	2	3	9132-4525
50	3	4	9132-4533
75	3	2	9132-4582
50	5	7	9132-4541
50	7.5	10	9132-4566
75	3	2	9132-4582
75	5	4	9132-4590
75	7.5	6	9132-4616

Portable Utility Pump Parts

Gas Powered Pump

All Models

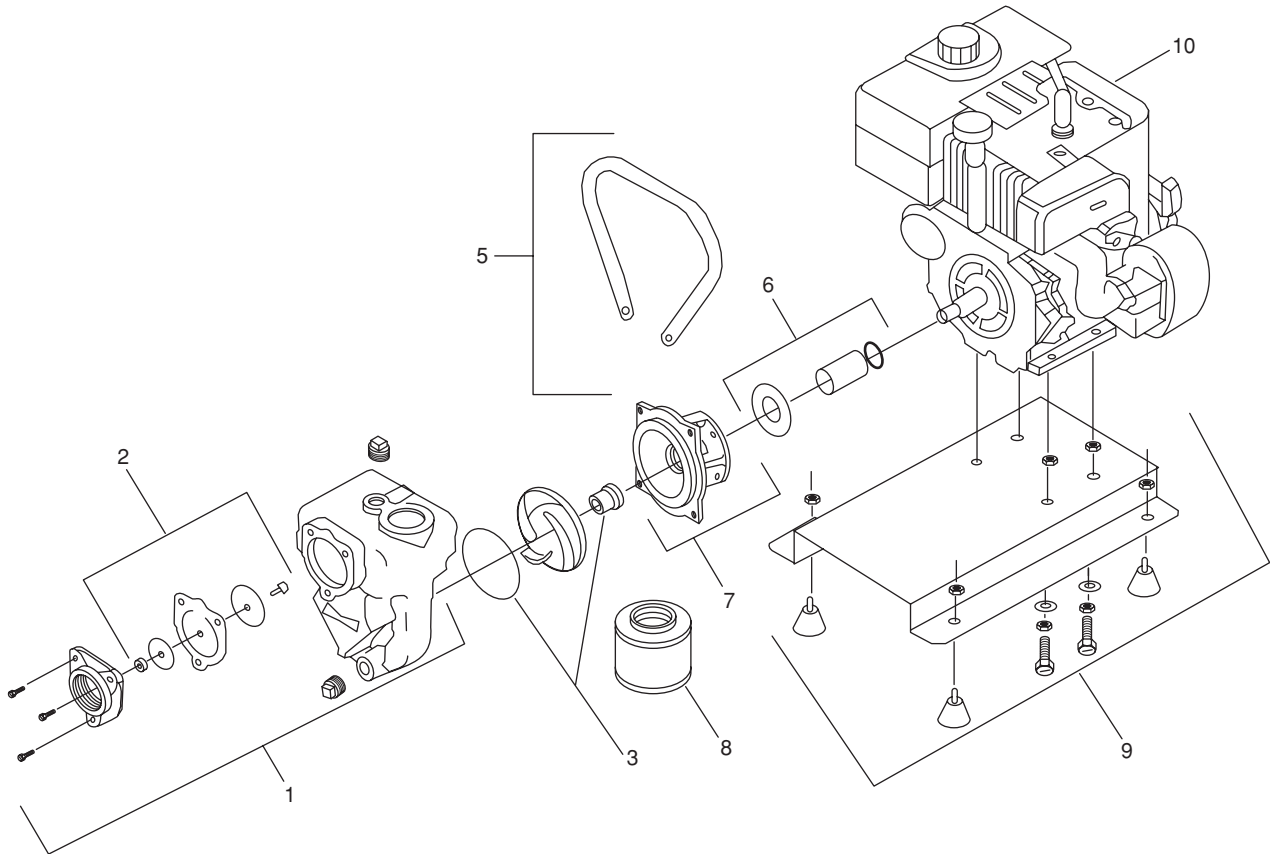


Fig. No.	Part No.	Description
1	03-0902-06-R	Case Assembly w/valve
2	91-9877-68-R	Check Valve Assembly
3	10-1529-08-R	Shaft Seal and O-Ring
4	05-0369-00-R	Impeller 3HP
	05-0370-07-R	Impeller 5HP
5	12-1150-02-R	Handle w/fasteners
6	08-2959-09-R	Shaft Sleeve, Slinger, and Seal
7	02-1706-03-R	Motor Bracket
8	03-0903-05-R	Strainer
9	12-1151-01-R	Base w/fasteners
10	90-1093-07-R	Engine, 3.0HP
	90-1095-05-R	Engine, 5HP

Portable Utility Pump Parts

Booster Pump

Models PHP, P & 5PUP

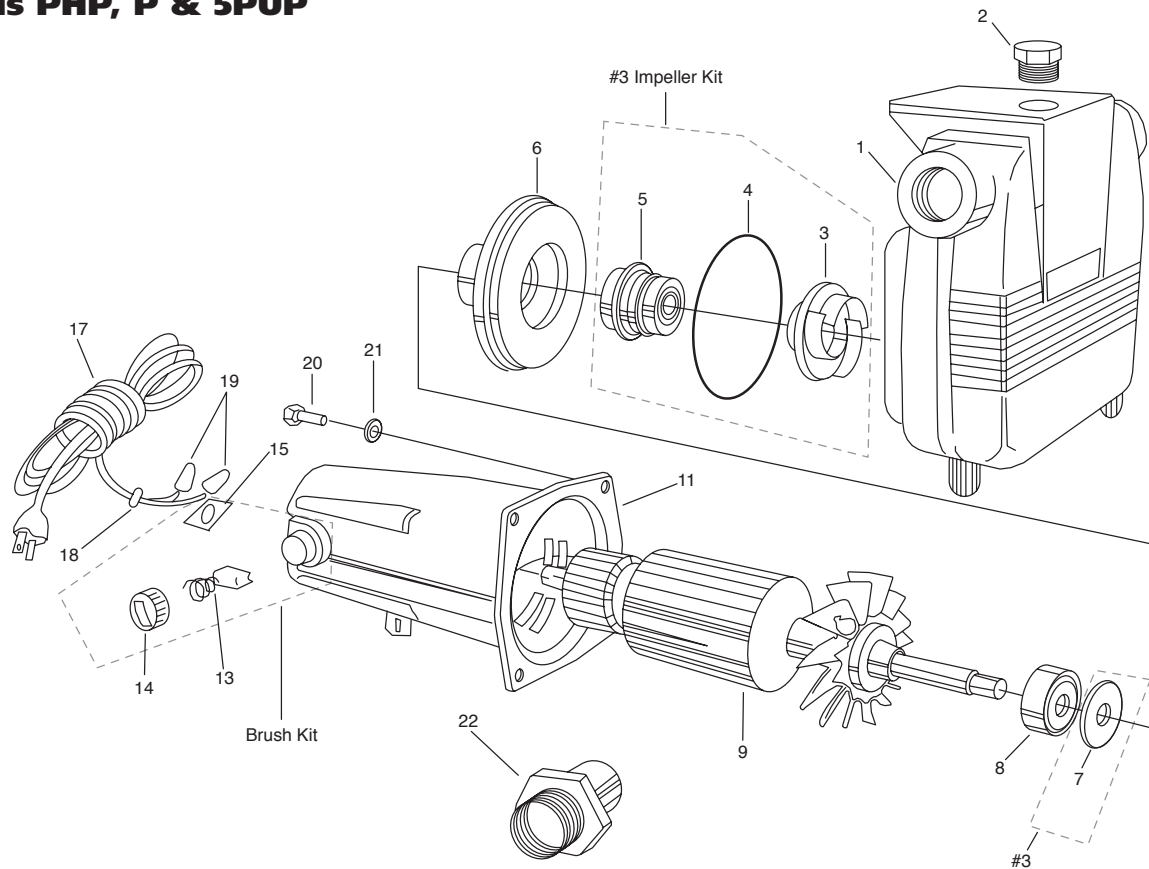


Figure No.	Old No.	New No.	Description
1	69231-R	New description	Body w/18951 pipe plug
2	18951-R	69231-R	body w/18951 pipe plug
Impeller Repair Kits include: Impeller, Sq. Ring, Seal, Slinger. #'s 3,4,5,7			
3	69150-R	90183	Impeller repair kit incl. #'s 3,4,5,7
4	18192-R	90183	Impeller repair kit incl. #'s 3,4,5,7
5	18189-R	90183	Impeller repair kit incl. #'s 3,4,5,7
6	61058-R		Seal Plate
7	18190-R	90183	Impeller repair kit incl. #'s 3,4,5,7
8	39357-R		Bearing
9	74799-R		Rotor
9A	74800-R		Stator (not shown)
9B	02618-R		Lockwasher (not shown)
9C	19125-R		Capscrew (not shown)
11	61055-R		Motor Housing
13	18204-R	18204-K	Brush-Cap Assy Kit (2 long & 2 short per kit) #'s 13,14,15,16,18,206 long brush
14	18205-R	18204-K	See #13 above
15	18438-R	18204-K	See #13 above
16	16660-R	18204-K	See #13 above
17	69211-R		Cord Set
18	18198-R		Strain Relief
19	19212-R		Wire Connector
20	02347-R		Capscrew
21	02577-R		Flat Washer
22	16684-R		Hose Adapter

Sump Pump Parts

Pedestal Sump Pump

Model PED

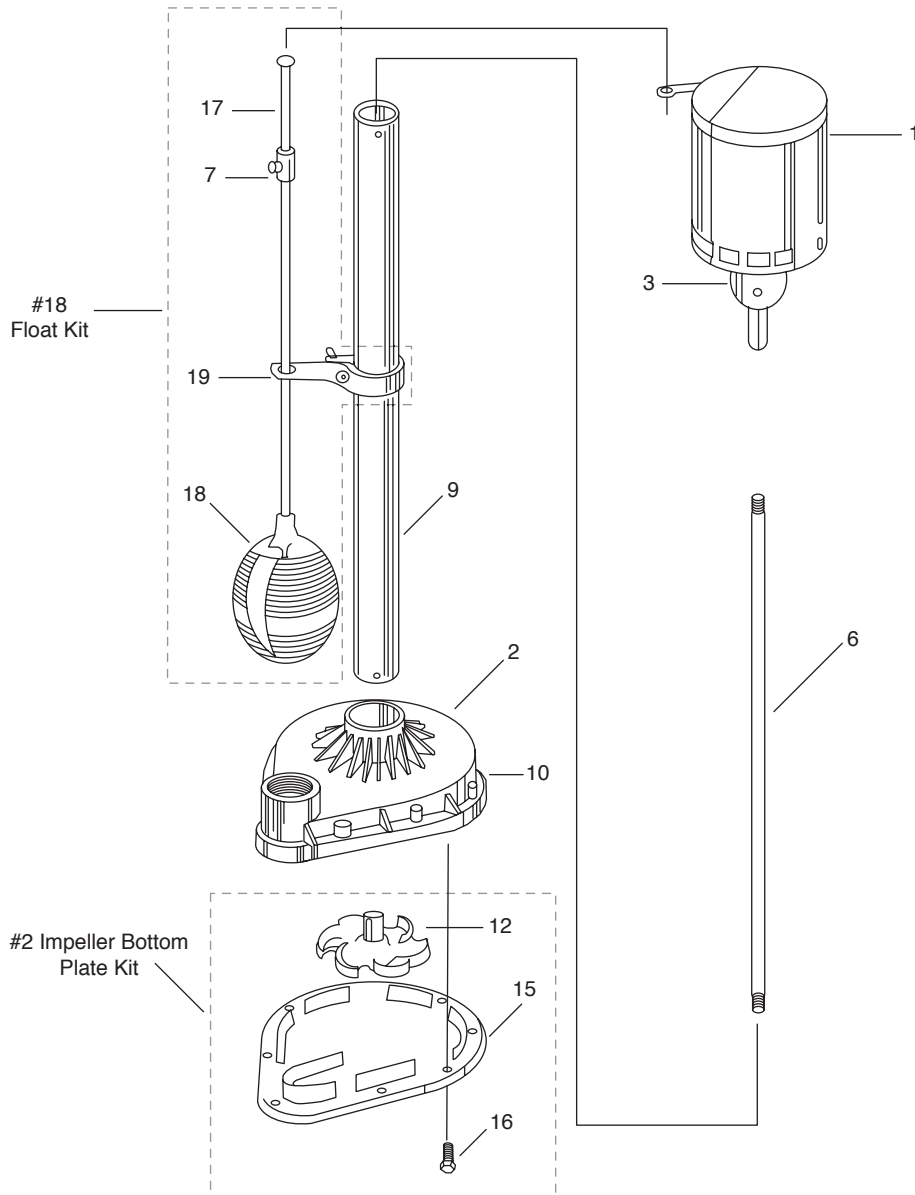


Figure No.	Old No.	New No.	Description
1	79703-R		Motor
2	14-2256-01-R		Screw (2 each)
3	23469-R		Screw (3 each)
6	23-4902-04-R		Shaft
7	23-4907-09-R	23-4980-09	Float Assembly Kit includes: 7, 17,18,19
9	23-4901-05-R		Column
10	23-4904-02-R		Body
12	23-4905-01-R	23-4905-01-K	Impeller- Bottom Plate Kit w/screws incl.#'s 12,15,16
15	23-4903-03-R	23-4905-01-K	Impeller- Bottom Plate Kit w/screws incl.#'s 12,15,16
16	21502-R	23-4905-01-K	Impeller- Bottom Plate Kit w/screws incl.#'s 12,15,16
17	23-4906-00-R	23-4980-09	Float Assembly Kit includes: 7, 17,18,19
18	90214-R	23-4980-09	Float Assembly Kit includes: 7, 17,18,19
19	23-4908-08-R	23-4980-09	Float Assembly Kit includes: 7, 17,18,19

Sump Pump Parts

Sump Pump

Models SPP & SPC

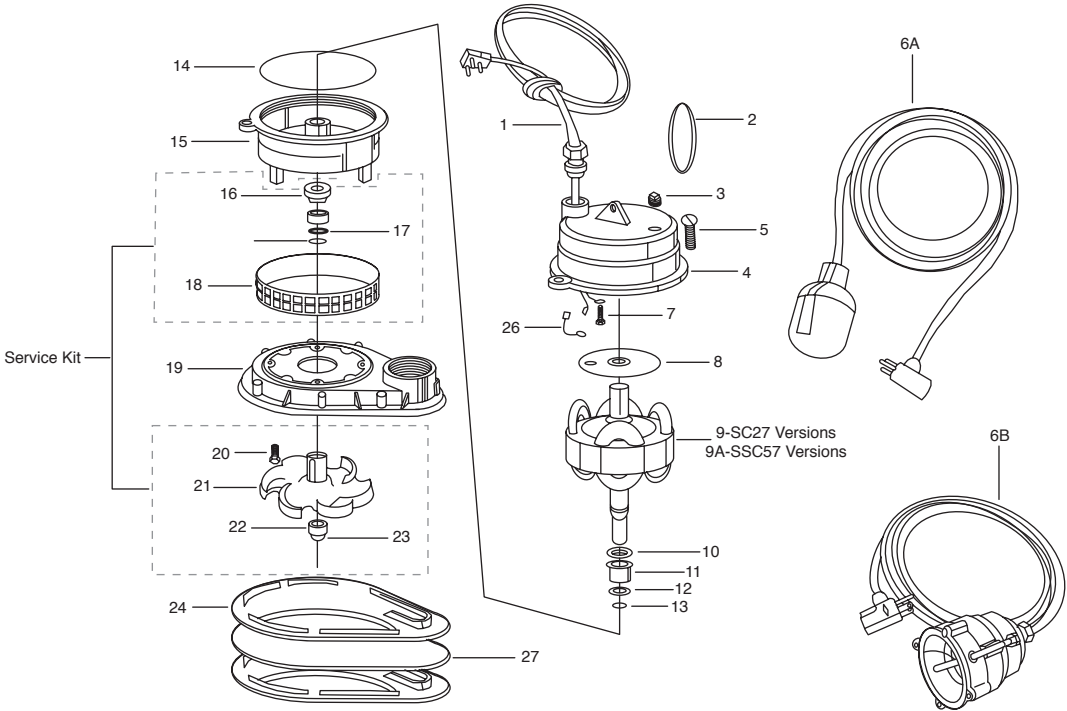


Figure No.	Old No.	New No.	Description
1	90350B		Cord Set
2	30786-R		Handle
3	03200-R	31-0059-11-06PK	Pipe Plug 1/4" galv. (6 each per kit pack)
4	29037-R	29037	Upper Motor Housing 3SPP, 3SPC
5	29035-R	29035	Upper Motor Housing 5SPP, 5SPC
6A	23469-R	to be discontinued	Capscrew (discontinued)
6B	74610-R		Switch
7	68888-R		Diaphragm Switch
8	38156-R	to be discontinued	Ground Screw (to be discontinued)
9	32141-R	to be discontinued	Insulation Shield (to be discontinued)
10	29722-R		Motor 3SPP, 3SPC
11	90218-R	90218	Motor 5SPP, 5SPC
12	34157-R	to be discontinued	Washer (to be discontinued)
	29723-R	to be discontinued	Bushing (to be discontinued)
	32002-R	to be discontinued	Shim (to be discontinued)
SPP & SPC Service Parts Kits include: 13, 16,17,18,20,21,22,23,25			
13	29926-R	24-0173-37	SPP, SPC Service Parts Kit
14	30198-R		Square Ring
15	29038-R	29038	Motor Housing (lower)
16	2976A-R	24-0173-37	SPP, SPC Service Parts Kit
17	17837-R	24-0173-37	SPP, SPC Service Parts Kit
18	31504-R	24-0173-37	SPP, SPC Service Parts Kit
19	51343-R		Body with screws #39647
	59734-R	59734H-R	Body with screws #16660
20	21320-R	24-0173-37	SPP, SPC Service Parts Kit
21	19218-R	24-0173-37	SPP, SPC Service Parts Kit
22	37554-R	24-0173-37	SPP, SPC Service Parts Kit
23	21089-R	24-0173-37	SPP, SPC Service Parts Kit
24	19211-R		Bottom Plate SPP
	19068-R		Bottom Plate SPC
25	39647-R	24-0173-37	SPP, SPC Service Parts Kit
	16660-R	24-0173-37	SPP, SPC Service Parts Kit
26	90351-R		Ground Wire
27	38542-R		Gasket SPC

Models APS & PBS

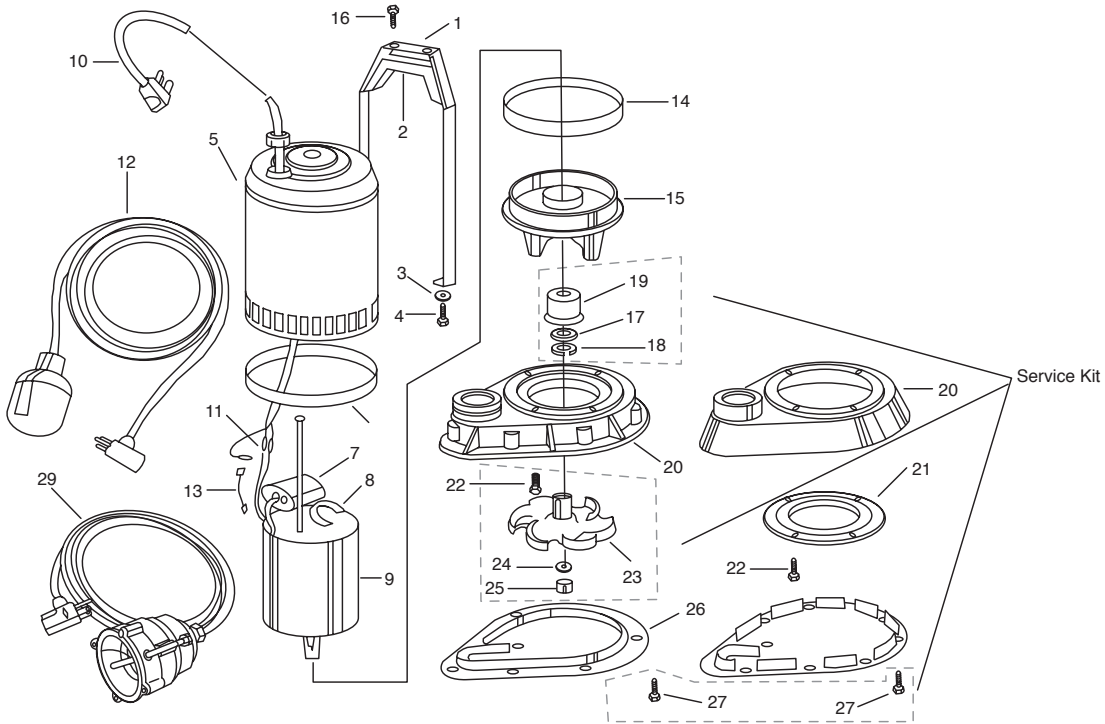


Figure No.	Old No.	New No.	Description
1A	19595-R		Handle Strip (discontinued)
1B	53967-R		Diaphragm Handle (discontinued)
2	16898-R		Handle Grip (discontinued)
3	35435-R		Washer (discontinued)
4	21502-R		Handle Screw (discontinued)
5	66651-R		Motor Housing (discontinued)
6	19790-R		Clamp (discontinued)
7	52681-R		Capacitor (discontinued)
8	39858-R		Bracket (discontinued)
9	68513-R		Motor
10	34361M-R		Cord Set
12	74610-R		Switch Assembly
13	90351-R		Ground GR Wire (discontinued)
14	21243-R		Sealing Band (discontinued)
15	63143-R		Lower End Bell
16	21502-R		Serial Screw (discontinued)
APS & PBS Service parts Kits include: 17,18,19,22,23,24,25,27, Also this is used on SPP & SPC			
17	17837-R	24-0173-37	APS/PBS Service Parts Kit (washer)
18	29926-R	24-0173-37	APS/PBS Service Parts Kit (snap ring)
19	29726-R	24-0173-37	APS/PBS Service Parts Kit (seal)
20	51343-R		Pump Body APS w/9 ea 3947 screws
	59735-R		Pump Body PBS
21	33642-R		Top Plate
22	39647-R	24-0173-37	APS/PBS Service Parts Kit (body screw)
23	19218-R	24-0173-37	APS/PBS Service Parts Kit (Impeller)
24	37554-R	24-0173-37	APS/PBS Service Parts Kit (lockwasher)
25	21089-R	24-0173-37	APS/PBS Service Parts Kit (set screw)
26	19211-R		Bottom Plate APS
	19068-R	19068-K	Bottom Plate Kit PBS w/gasket 38542
	39647-R	24-0173-37	APS/PBS Service Parts Kit (bottom plate screw)
27	16660-R	24-0173-37	APS/PBS Service Parts Kit (bottom plate screw)
28	28542-R		Bottom Plate Gasket PBS (not shown)
29	68888-10		Diaphragm Switch

Sump Pump Parts

Sump Pump

Model ABS

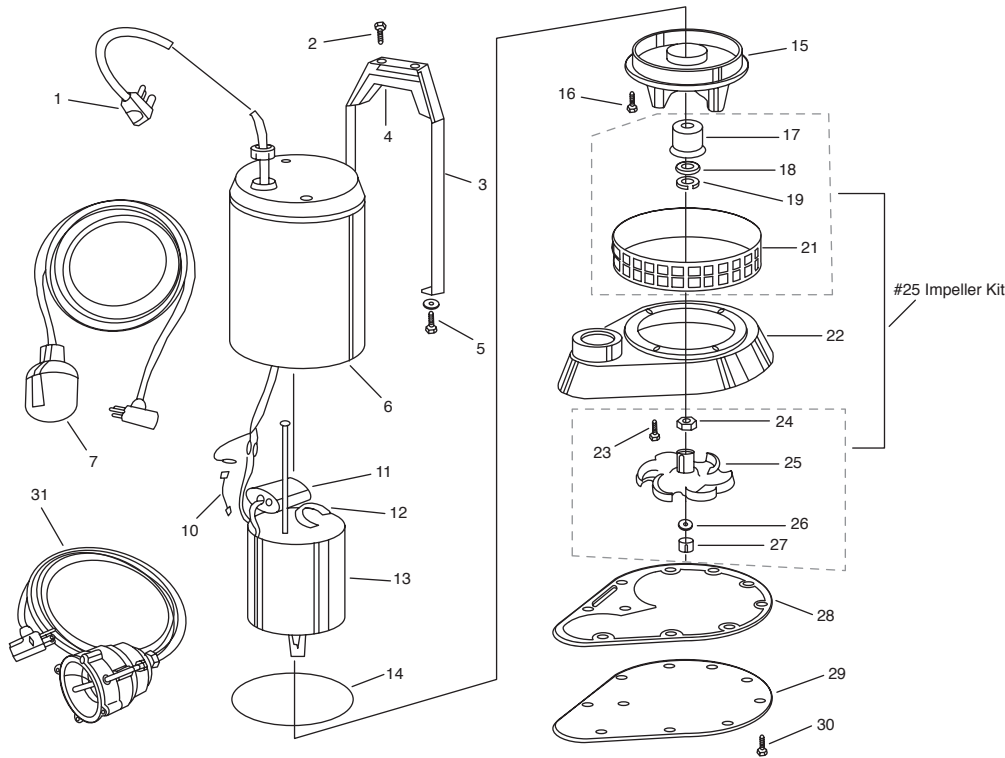
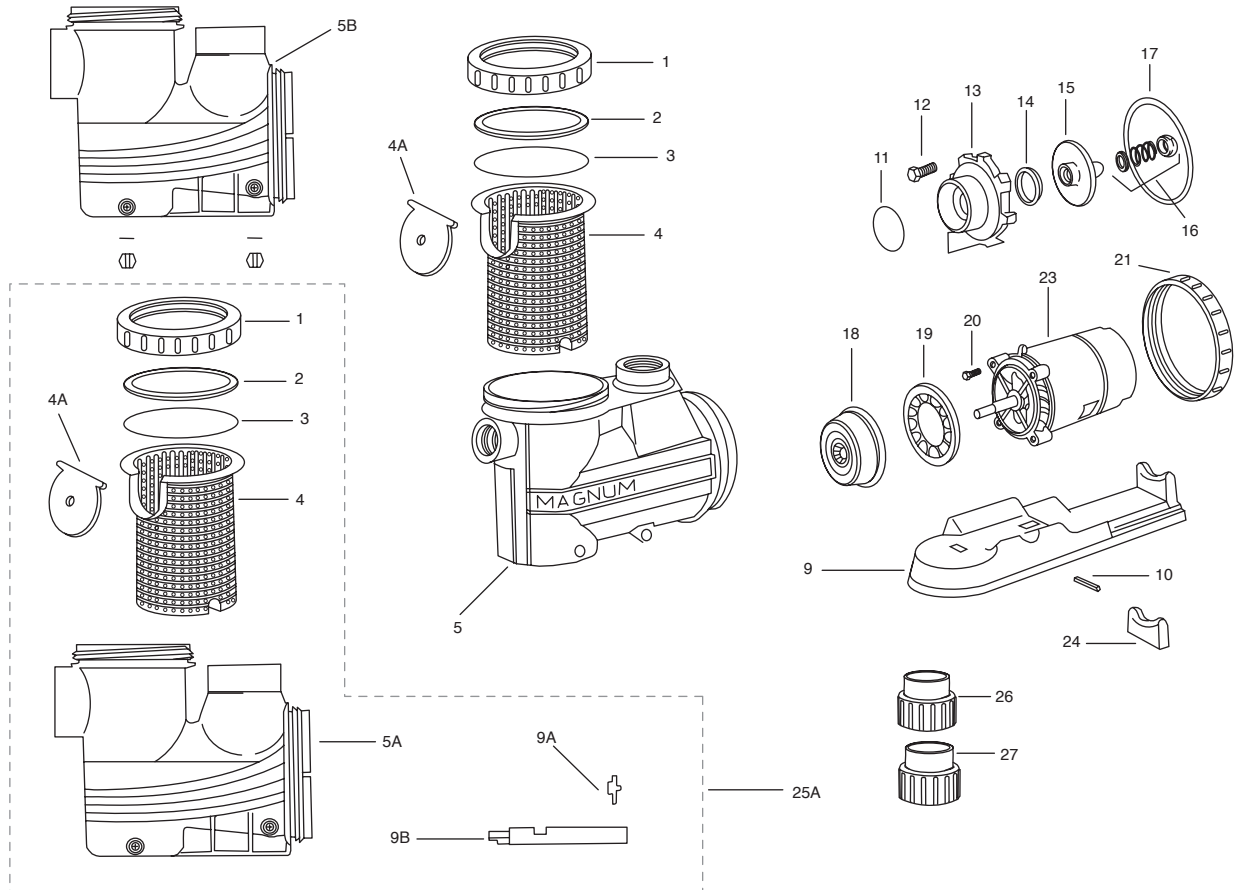


Figure No.	Old No.	New No.	Description
1	34361M-R		Cord Set Assembly
2	21502-R		Screw (discontinued)
3	38338-R		Handle Strap Assembly (discontinued)
4	16898-R		Handle Grip (discontinued)
5	16660-R		Screw
6	39228-R		Housing Assembly
7	74610-R		Switch Assembly
8	90351-R		Ground Wire (discontinued)
10	34322-R		Terminal Boot (discontinued)
11	70964-R		Capacitor (discontinued)
12	39858-R		Bracket (discontinued)
13	53859-R		Motor
14	63693-R		O-Ring
15	62075-R		End Bell
16	17363-R		End Bell Plug
			Impeller Screen & Parts Kit includes: 17,18,19,20,21,22,23,24,25,26,27
17	29726A-R	39342-K	Impeller Screen & Parts Kit (Seal)
18	17837-R	39342-K	Impeller Screen & Parts Kit (Washer)
19	29926-R	39342-K	Impeller Screen & Parts Kit (Snap Ring)
20	23501-R	39342-K	Impeller Screen & Parts Kit (Spring)
21	38359-R	39342-K	Impeller Screen & Parts Kit (Strainer)
22	35771-R		Body
23	23469-R	39342-K	Impeller Screen & Parts Kit (Screws)
24	02514-R	39342-K	Impeller Screen & Parts Kit (Jam Nut)
25	39342-R	39342-K	Impeller Screen & Parts Kit (Impeller)
26	37554-R	39342-K	Impeller Screen & Parts Kit (Lockwasher)
27	21089-R	39342-K	Impeller Screen & Parts Kit (Setscrew)
28	35873-R	16553-R	Gasket (included w/bottom Plate #29)
29	16553-R	16553-R	Bottom Plate Kit (includes #28 & #30)
30	16660-R	16553-R	Screws (included with bottom plate #29)
31	68888-10		Switch Diaphragm

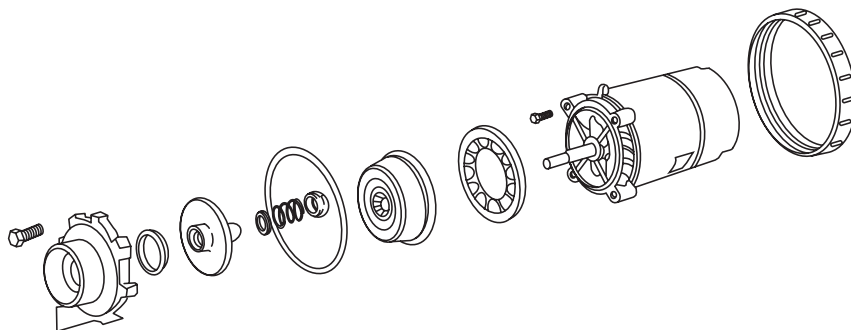
Non-Corrosive Parts

Non-Corrosive Pump

Models Magnum, Magnum Plus, Magnum Force, & Magnum Force 3



Magnum, Magnum Plus, Magnum Force Hydraulic/Motor Kits



Part No.	Description
9402-7471	UM750-H
9402-7489	UM1000-H
9402-7497	UM1500-H
9402-7505	UM2000-H

Non-Corrosive Parts

Non-Corrosive Pump

Models Magnum, Magnum Plus, Magnum Force, & Magnum Force 3

Fig. No.	Part No.	Description
1	42-2828-06-R	Cover Ring-Lok
2	39-2579-02-R	Strainer Cover 7/88
3	47-0358-03-R	O-Ring - Units after 7/89
	47-0434-01-R	O-Ring 5-5/8 x 6-1/8 x 1/4 Units prior to 7/89
4	16-1097-04-R	Strainer basket w/flapper for Magnum Plus
	16-1086-06-R	Strainer basket (9" tall) w/flapper for Magnum Force (prior to 2/1/03)
	16-1134-09-R	Strainer basket (12" tall) w/flapper for Magnum Force (after 2/1/03)
4a	43-3036-01-R	Flapper
5	03-0856-02-R	Magnum Plus Body - obsolete - refer to #25a below
5a	03-2009-04-R	Magnum Force body with plugs and basket (prior to 2/1/03)
	03-0906-02-R	Magnum Force body with plugs and basket (after to 2/1/03)
5b	03-2008-05-R	Magnum Force 3 body with plugs and basket (prior to 2/1/03)
	03-0907-01-R	Magnum Force 3 body with plugs and basket (after to 2/1/03)
6&7	31-1609-06-R2	1/4" Plugs w/o-rings (2 per bag)
	31-1609-06-R50	1/4" Plugs w/o-rings (50 per bag)
9	12-1069-02-R	Base motor support assembly 2/88
9a	12-1124-05-R	Motor Support
9b	12-1126-03-R	Motor Base
10	14-4231-07-R	Dowel pin 1/4 x 1-1/4
11	47-0232-54-R	Square ring 2-3/4 x 1/8 x 1/8
12	14-4206-08-R5	Hex wash. hd. A8 - 16 X 1-1/4 SS (2,3 or 5 req'd.) (5 per bag)
13	06-0157-05-R	Diffuser, 4-1/4" fit. 1/2 HP full rate & 3/4 uprate
	06-0165-05-R	Diffuser, 5-1/4" fit, 1-1/2 - 3 HP full rate & uprate
	06-0167-03-R	Diffuser, 4.875 fit, 3/4 - 1 HP full rate 1-1/2 uprate
	06-0008-06-R	Diffuser, 5-1/4" fit, 4 & 5 HP uprate
14	10-1462-07-R	Eye Seal, 1/2 - 3 HP
	10-1463-14-R	Eye Seal, 4 & 5 HP
15	05-3800-01-R	Impeller, 1/2 HP full rate & 3/4 HP uprate 4-3/16" dia.
	05-3818-01-R	Impeller, 2 HP full rate 5-3/16" dia.
	05-3819-00-R	Impeller, 1-1/2 HP full rate & 2 HP uprate 5/8" dia.
	05-3820-07-R	Impeller, 3 HP full rate & uprate 5/8" dia.
	05-3854-06-R	Impeller, 1 HP full rate & 1-1/2 HP uprate 4-3/4" dia.
	05-3855-05-R	Impeller, 3/4 HP full rate & 1 HP uprate 4-3/4" dia.
	05-0373-04-R	Impeller, 4 HP uprate 4.80" dia.
05-0371-06-R	Impeller, 5 HP uprate 5.13" dia.	
16	10-1502-09-R	Shaft Seal (Replaces 10139004)
17	47-0364-47-R	O-Ring 6-3/4 x 7-1/8
18	02-1392-02-R	Seal Housing, 5-1/4" fit, 1-1/2 - 3 HP full rate, 5 HP uprate
	02-1366-04-R	Seal Housing, 4-9/16" fit, 1/2 HP full rate, 3/4 HP uprate
	02-1393-01-R	Seal Housing, 4-7/8" fit, 3/4 - 1 HP full rate, 1-1/2 HP uprate
19	02-1368-02-R	Motor Housing Bracket
20	14-1293-24-R4	PL Hex Capscrews 3/8 - 16 x 7/8 (4 req'd.) (4 per bag)
21	42-2886-05-R	Pump mounting nut 2/88 w/ ratchet #22
22	42-2867-08-R	Mounting Nut Ratchet
23		Motor (call your local pool dealer)
24	42-3555-03-R	Motor Support Kit
25a	42-2345-06-R	Case/Base Basket Assy. For Magnum Force - incl. #1,2,3,4,4a,5a,6,7,9a,9b,28
26	31-1501-09-R2	2UN half kit (incl. 2 each), effective for units built after 10/99
27	31-1003-05-R2	2UN half kit (incl. 2 each), effective for units built prior to 10/99
28	31-1746-00-R	Strainer Basket Air Bleed Tube

To order Magnum Repair Parts, contact: CCO Whirlpool and Spa Service
 6075 East Henrietta Rd.
 Rush, NY 14543
 p. 888-527-2787 Fax 585-533-1349
 www.jbparts.com

Non-Corrosive Parts

End Suction "SPA" Pump

Model A

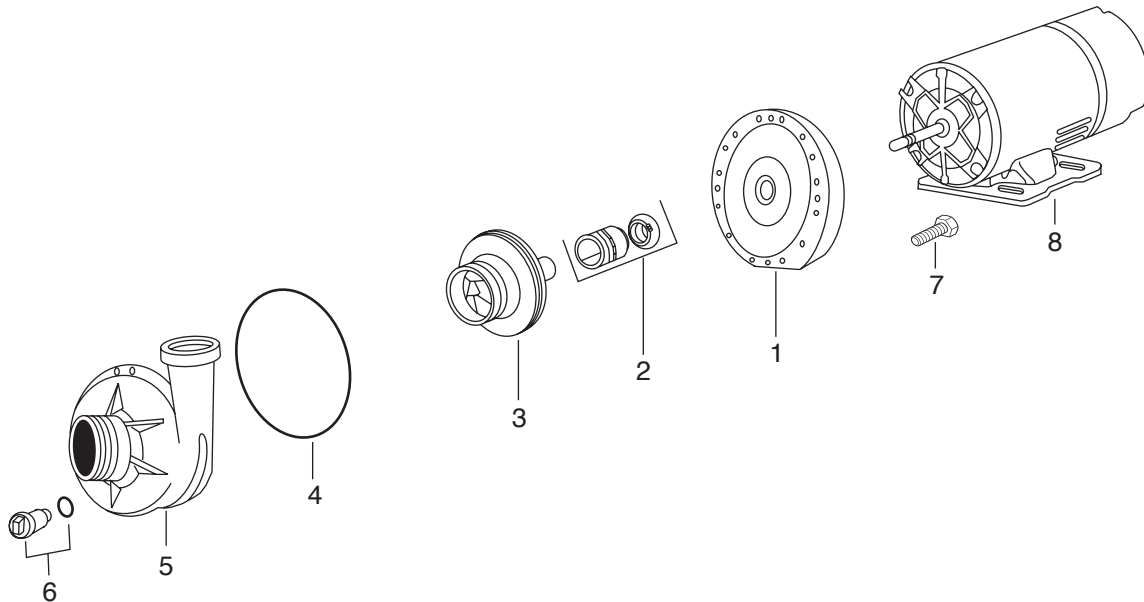


Figure No.	Part No.	Description
1	02-1684-09-R	Bracket SA Spa Pump
2	10-0002-06	Mechanical Shaft Seal 5/8
3	05-1500-15-R	S2A Impeller 3.875D #11433
	05-2000-20-R	S35A Impeller 3.875D #11434
	05-2000-25-R	S3A Impeller 3.75D #11434
	05-3000-30-R	S4A Impeller 3.875D #11435
	05-0365-04-R	S45A Impeller 4.20D
4	47-0258-53-R	Sq. Ring 6-1/8 x 1/8 Ntrl
5	03-0872-03-R	Case Assy. SA Spa Pump w/ plug
	03-0889-03-R	Case Assy. S45A
6	31-1609-06-R	1/4 plug w/ O-ring (47-0112-00)
7	14-4379-02-R	Screws 10-12 x 1 Phil Pan HD SS
8	Motor	Motor Selection see index for page no.

Non-Corrosive Parts

Jetted Tub & SPA Pump

Models J, K, JCM & SKM

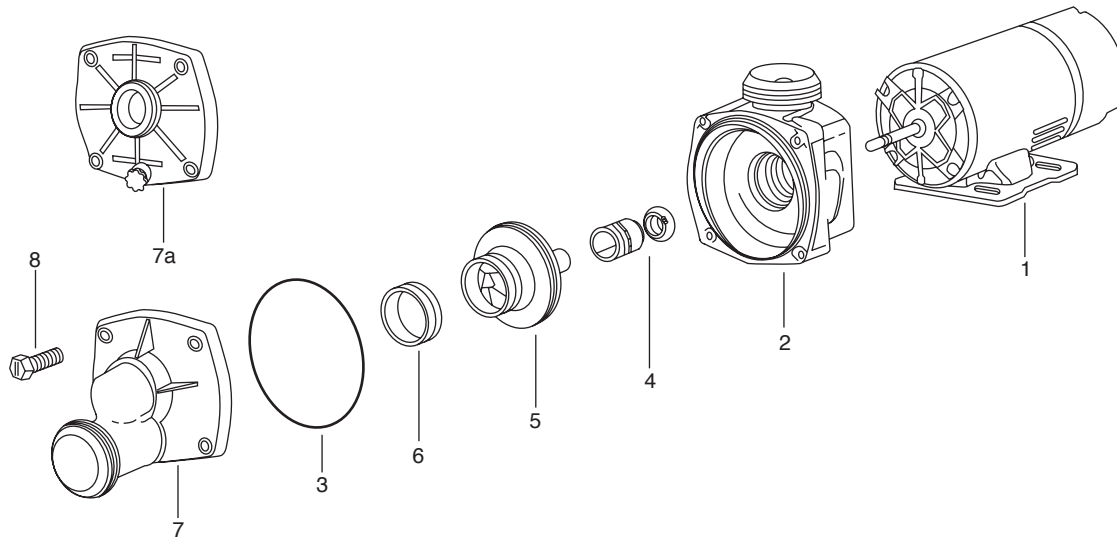
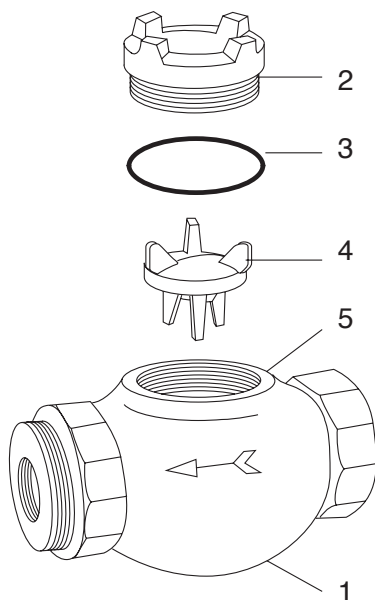
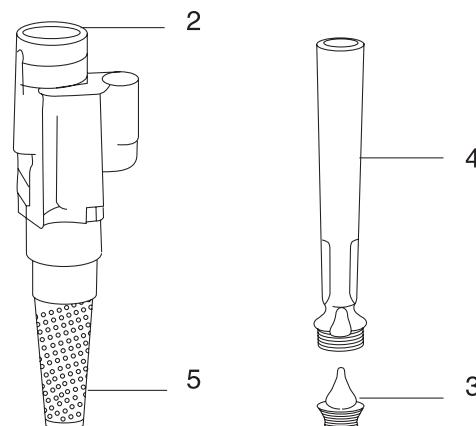


Figure No.	Part No.	Description
1	Motor	Motor Selection See Index for page no.
2	02-1308-05-RKIT	J Bracket Kit w/#7 & #8 1/4 - 14 Thrd. 3-10 n. butt
	02-1309-04-R	JCM Bracket and SKM (Eff. 2/1/94) 1/4 - 14 thrd. 2-1/2 butt
	02-1613-05-R	JCM Bracket and SKM (Prior to 2/1/94) 1/4 - 20 thrd. 2-1/2 butt
3	47-0357-46-R	O-Ring
4	10-0002-06	5/8 Mechanical Seal
5	05-3862-06-R	Impeller, S7J, S7K #11343 3.45D
	05-3863-05-R	Impeller, S1J, S1K, #11343 3.73D
	05-3864-04-R	Impeller, S15J, S15K, #11343 4.10D
	05-3865-03-R	Impeller, S2J, S2K, #11304 4.22D
6	10-1462-07-R	Eye Seal
7	03-0651-09-R	J Flange 3-10 butt
	03-0854-04-R	JCM Flange 2-1/2 - 8 butt
7A	11-1517-01-R	SKM Flange 2-1/2 butt
8	14-1266-35-R	Fastener 1/4-20 x 3/4 (4 required) Effective units prior 2/1/94
	14-4339-08-R	J, JCM, and SKM Fastener 1/4 - 14 x 1-1/8

Injector Assembly-Series 146E Bronze & 147E Cast Iron

Figure No.	Part No.	Description
2	18-1191-07	Injector body cast iron 147E
3*	18-0913-xx	Nozzle
4*	18-0914-xx	Venturi
5	9198-7297	Foot valve 1-1/4 x 1 bronze

*When ordering replace xx with proper code.

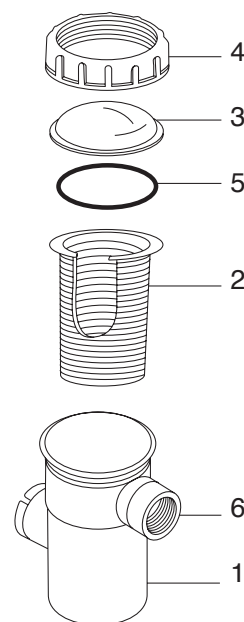


Check Valve (9198-0680)

Figure No.	Part No.	Description
1	16-0110-00-R	Body 1-1/4 F
2	16-0109-02-R	Cap. Check Valve
3	13-0108-06-R	Gasket
4	16-0414-10-R	Poppet Assembly

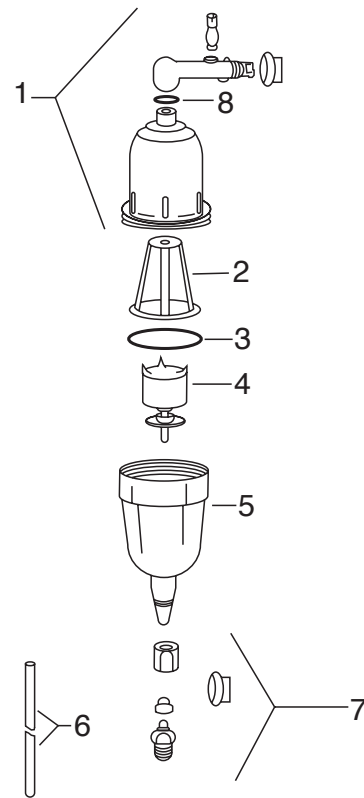
S0125 Strainer

Figure No.	Part No.	Description
1	16-0306-03	Strainer Body Assy.
2	16-0729-02	Basket
3	39-0753-04	Cover
4	42-1678-09	Nut
5	47--0352-09	O-ring 4-7/8x5-1/4x3/16
6	31-3285-40	Reducer



Models 225A Jet Charger

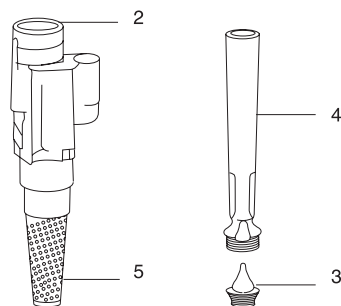
Figure No.	Part No.	Description
1	17-0176-09-R	Top Assembly
2	17-0082-02-R	Deflector
3	47-0228-01-R	O-Ring
4	17-0087-07-R	Float Assembly
5	17-0133-01-R	Bottom
6	31-0022-31-R060	Poly Tube 60"
7	17-0174-01-R	Tube Fitting Kit
8	47-0114-08-R	O-Ring



Deep Well Injector Assembly

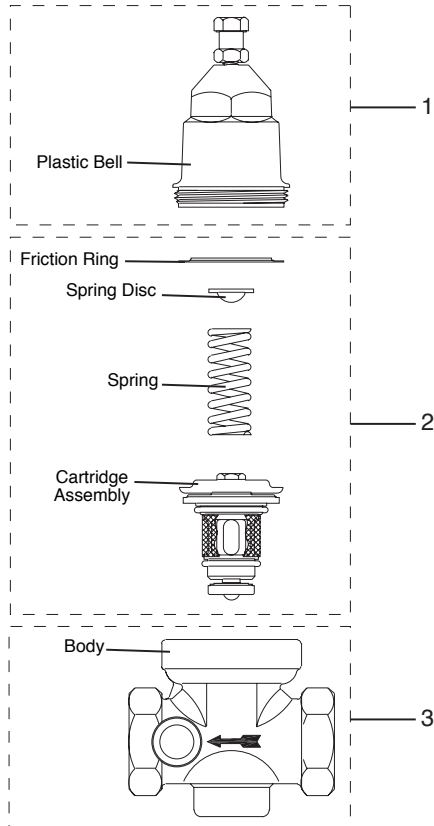
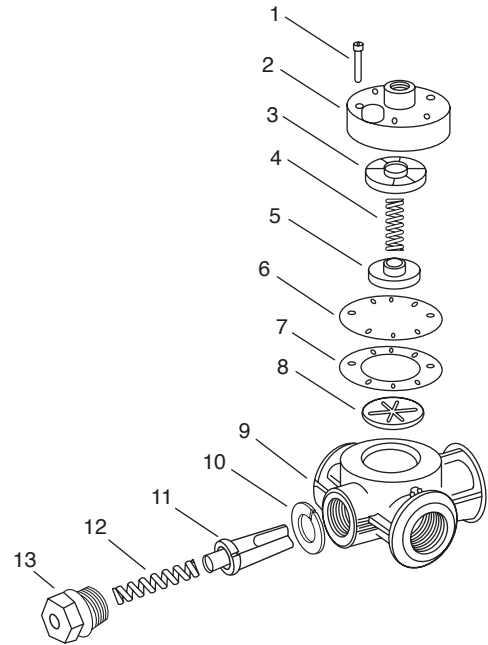
Figure No.	Part No.	Description
2	18-1191-07-R	Injector body cast iron 147E
3	18-0418-14-R*	Nozzle
4	18-0419-05-R*	Venturi
5	9198-7297-R	Foot valve 1-1/4 x 1 bronze

*When ordering give proper injector code in addition to part ordering number.



Models AQ 80 Valve

Figure No.	Part No.	Description
1	14-3900-09-R	Pan-Hd 10/16" x 1" (6 req'd)
2	16-0245-07-R	Upper Valve Body
3	30-0128-01-R	Upper Screen
4	16-0999-05-R	Spring
5	16-0128-09-R	Support Plate
6	13-0396-07-R	Diaphragm
7	13-0407-04-R	Gasket
8	30-0127-02-R	Lower Screen
9	16-0244-08-R	Lower Body
10	14-0153-09-R	Seal Washer
11	16-1053-06-R	Poppet
12	16-0079-08-R	Poppet Spring
13	16-0126-19-R	Lower Body Cap



Parts for AQ400 Valve

Figure No.	Part No.	Description
1	1611-2500	Bell Assy AQ400-1
	1611-2807	Bell Assy AQ400-1-1/4
2	1611-2609	Cartridge Assy AQ400-1 w/ Spring
	1611-2906	Cartridge Assy AQ400-1-1/4 w/Spring
3	1611-2708	Body Brass AQ400-1
	1611-3003	Body Brass AQ400-1-1/4

Single Phase Motors

2 or 3 wire Cable, 60Hz (Service entrance to motor - max. length in feet)

Motor Rating			60°C Insulation - AWG Copper Wire Size												
Volts	HP	KW	14	12	10	8	6	4	3	2	1	0	00	000	0000
115	1/2	.37	100	160	250	390	620	960	1190	1460	1780	2160	2630	3140	3770
230	1/2	.37	400	650	1020	1610	2510	3880	4810	5880	7170	8720			
	3/4	.55	300	480	760	1200	1870	2890	3580	4370	5330	6470	7870		
	1	.75	250	400	630	990	1540	2380	2960	3610	4410	5360	6520		
	1-1/2	1.1	190	310	480	770	1200	1870	2320	2850	3500	4280	5240		
	2	1.5	150	250	390	620	970	1530	1910	2360	2930	3620	4480		
	3	2.2	120	190	300	470	750	1190	1490	1850	2320	2890	3610		
	5	3.7	0	0	180	280	450	710	890	1110	1390	1740	2170	2680	
	7-1/2	5.5	0	0	0	200	310	490	610	750	930	1140	1410	1720	
	10	7.5	0	0	0	0	250	390	490	600	750	930	1160	1430	1760
15	11	0	0	0	0	170	270	340	430	530	660	820	1020	1260	

Motor Rating			75°C Insulation - AWG Copper Wire Size												
Volts	HP	KW	14	12	10	8	6	4	3	2	1	0	00	000	0000
115	1/2	.37	100	160	250	390	620	960	1190	1460	1780	2160	2630	3140	3770
230	1/2	.37	400	650	1020	1610	2510	3880	4810	5880	7170	8720			
	3/4	.55	300	480	760	1200	1870	2890	3580	4370	5330	6470	7870	9380	
	1	.75	250	400	630	990	1540	2380	2960	3610	4410	5360	6520	7780	9350
	1-1/2	1.1	190	310	480	770	1200	1870	2320	2850	3500	4280	5240	6300	7620
	2	1.5	150	250	390	620	970	1530	1910	2360	2930	3620	4480	5470	6700
	3	2.2	120	190	300	470	750	1190	1490	1850	2320	2890	3610	4470	5550
	5	3.7	0	110	180	280	450	710	890	1110	1390	1740	2170	2680	3330
	7-1/2	5.5	0	0	120	200	310	490	610	750	930	1140	1410	1720	2100
	10	7.5	0	0	0	160	250	390	490	600	750	930	1160	1430	1760
15	11	0	0	0	0	170	270	340	430	530	660	820	1020	1260	

1 Foot = .3048 Meter

Lengths **not** in bold type meet the U.S. National Electrical Code ampacity for either individual conductors or jacketed 60°C or 75°C cable.

Lengths in bold type meet the National Electric Code ampacity only for individual conductor 60°C or 75°C cable, in free air or water, not in magnetic enclosure or conduit. If any other cable is used, the National Electric Code as well as the local codes should be observed. Flat molded and web cable is considered jacketed cable.

Cable lengths in tables allow for a 5% voltage drop running at maximum nameplate amperes. If 3% voltage drop is desired multiply table lengths by .6 to get maximum cable length.

Both tables are based on copper wire. If aluminum wire is used, it must be two sizes larger than copper wire and oxidation inhibitors must be used on connections.

EXAMPLE: If tables call for #12 copper wire, #10 aluminum wire would be required.

The portion of the total cable length which is between the supply and single phase control bos with a line contactor, should not exceed 25% of total maximum allowable to ensure reliable contactor operation. Single phase control boxes without line contactors may be connected at any point in the total cable length.

Contact Franklin Electric for 90°C cable length.

Three Phase Motors

3-Phase 60°C Cable, 60Hz(Service entrance to motor - max. length in feet)

Motor Rating			60°C Insulation - AWG Copper Wire Size													MCM Copper Wire Size					
Volts	HP	KW	14	12	10	8	6	4	3	2	1	0	00	000	0000	250	300	350	400	500	
200V 60Hz 3 Phase 3 Lead	1/2	.37	710	1140	1800	2840	4420														
	3/4	.55	510	810	1280	2030	3160														
	1	.75	430	690	1080	1710	2670	4140	5140												
	1-1/2	1.1	310	500	790	1260	1960	3050	3780												
	2	1.5	240	390	610	970	1520	2360	2940	3610	4430	5420									
	3	2.2	180	290	470	740	1160	1810	2250	2760	3390	4130									
	5	3.7	110	170	280	440	690	1080	1350	1660	2040	2490	3050	3670	4440	5030					
	7-1/2	5.5	0	0	200	310	490	770	960	1180	1450	1770	2170	2600	3150	3560					
	10	7.5	0	0	0	230	370	570	720	880	1090	1330	1640	1970	2390	2720	3100	3480	3800	4420	
	15	11	0	0	0	160	250	390	490	600	740	910	1110	1340	1630	1850	2100	2350	2570	2980	
20	15	0	0	0	0	190	300	380	460	570	700	860	1050	1270	1440	1650	1850	2020	2360		
25	18.5	0	0	0	0	0	240	300	370	460	570	700	840	1030	1170	1330	1500	1640	1900		
30	22	0	0	0	0	0	0	250	310	380	470	580	700	850	970	1110	1250	1360	1590		
230V 60Hz 3 Phase 3 Lead	1/2	.37	930	1490	2350	3700	5760	8910													
	3/4	.55	670	1080	1700	2580	4190	6490	8060	9860											
	1	.75	560	910	1430	2260	3520	5460	6780	8290											
	1-1/2	1.1	420	670	1060	1670	2610	4050	5030	6160	7530	9170									
	2	1.5	230	510	810	1280	2010	3130	3890	4770	5860	7170	8780								
	3	2.2	240	390	620	990	1540	2400	2980	3660	4480	5470	6690	8020	9680						
	5	3.7	140	230	370	590	920	1430	1790	2190	2690	3290	4030	4850	5870	6650	7560	8460	9220		
	7-1/2	5.5	0	160	260	420	650	1020	1270	1560	1920	2340	2870	3440	4160	4710	5340	5970	6500	7510	
	10	7.5	0	0	190	310	490	760	950	1170	1440	1760	2160	2610	3160	3590	4100	4600	5020	5840	
	15	11	0	0	0	210	330	520	650	800	980	1200	1470	1780	2150	2440	2780	3110	3400	3940	
20	15	0	0	0	0	250	400	500	610	760	930	1140	1380	1680	1910	2180	2450	2680	3120		
25	18.5	0	0	0	0	0	320	400	500	610	750	920	1120	1360	1540	1760	1980	2160	2520		
30	22	0	0	0	0	0	260	330	410	510	620	760	930	1130	1280	1470	1650	1800	2110		
380V 60Hz 3 Phase 3 Lead	1/2	.37	2690	4290	6730																
	3/4	.55	2000	3190	5010	7860															
	1	.75	1620	2580	4060	6390	9980														
	1-1/2	1.1	1230	1970	3100	4890	7630														
	2	1.5	870	1390	2180	3450	5400	8380													
	3	2.2	680	1090	1710	2690	4200	6500	8020	9830											
	5	3.7	400	640	1010	1590	2490	3870	4780	5870	7230	8830									
	7-1/2	5.5	270	440	690	1090	1710	2640	3260	4000	4930	5010	7290	8780							
	10	7.5	200	320	510	800	1250	1930	2380	2910	3570	4330	5230	6260	7390	8280	9340				
	15	11	0	0	370	590	920	1430	1770	2170	2690	3290	4000	4840	5770	6520	7430	8250	8990		
	20	15	0	0	0	440	700	1090	1350	1670	2060	2530	3090	3760	4500	5110	5840	6510	7120	8190	
	25	18.5	0	0	0	360	570	880	1100	1350	1670	2050	2510	3040	3640	4130	4720	5250	5740	6590	
	30	22	0	0	0	0	470	730	910	1120	1380	1700	2080	2520	3020	3430	3920	4360	4770	5490	
	40	30	0	0	0	0	0	530	660	820	1010	1240	1520	1840	2200	2500	2850	3170	3470	3990	
	50	37	0	0	0	0	0	0	540	660	820	1000	1220	1480	1770	2010	2290	2550	2780	3190	
	60	45	0	0	0	0	0	0	0	560	690	850	1030	1250	1500	1700	1940	2150	2350	2700	
	75	55	0	0	0	0	0	0	0	0	570	700	860	1050	1270	1440	1660	1850	2030	2350	
100	75	0	0	0	0	0	0	0	0	0	510	630	760	910	1030	1180	1310	1430	1650		
125	90	0	0	0	0	0	0	0	0	0	0	0	620	740	840	950	1060	1160	1330		
150	110	0	0	0	0	0	0	0	0	0	0	0	0	620	700	790	880	960	1090		
175	130	0	0	0	0	0	0	0	0	0	0	0	0	0	650	750	840	920	1070		
200	150	0	0	0	0	0	0	0	0	0	0	0	0	0	0	630	700	760	880		

Continued on page 150

Three Phase Motors

3-Phase 60°C Cable, (Continued)

Motor Rating			60°C Insulation - AWG Copper Wire Size													MCM Copper Wire Size					
Volts	HP	KW	14	12	10	8	6	4	3	2	1	0	00	000	0000	250	300	350	400	500	
460V 60Hz 3 Phase 3 Lead	1/2	.37	3770	6020	9460																
	3/4	.55	2730	4350	6850																
	1	.75	2300	3670	5770	9070															
	1-1/2	1.1	1700	2710	4270	6730															
	2	1.5	1300	2070	3270	5150	8050														
	3	2.2	1000	1600	2520	3970	6200														
	5	3.7	590	950	1500	2360	3700	5750													
	7-1/2	5.5	420	680	1070	1690	2640	4100	5100	6260	7680										
	10	7.5	310	500	790	1250	1960	3050	3800	4680	5750	7050									
	15	11	0	340	540	850	1340	2090	2600	3200	3930	4810	5900	7110							
	20	15	0	0	410	650	1030	1610	2000	2470	3040	3730	4580	5530							
	25	18.5	0	0	0	530	830	1300	1620	1990	2450	3010	3700	4470	5430						
	30	22	0	0	0	430	680	1070	1330	1640	2030	2490	3060	3700	4500	5130	5860				
	40	30	0	0	0	0	500	790	980	1210	1490	1830	2250	2710	3290	3730	4250				
	50	37	0	0	0	0	0	640	800	980	1210	1480	1810	2190	2650	3010	3420	3830	4180	4850	
	60	45	0	0	0	0	0	0	540	670	830	1020	1250	1540	1850	2240	2540	2890	3240	3540	4100
	75	55	0	0	0	0	0	0	0	0	680	840	1030	1260	1520	1850	2100	2400	2700	2950	3440
	100	75	0	0	0	0	0	0	0	0	0	620	760	940	1130	1380	1560	1790	2010	2190	2550
	125	90	0	0	0	0	0	0	0	0	0	0	0	740	890	1000	1220	1390	1560	1700	1960
	150	110	0	0	0	0	0	0	0	0	0	0	0	0	760	920	1050	1190	1340	1460	1690
175	130	0	0	0	0	0	0	0	0	0	0	0	0	0	810	930	1060	1190	1300	1510	
200	150	0	0	0	0	0	0	0	0	0	0	0	0	0	0	810	920	1030	1130	1310	
575V 60Hz 3 Phase 3 Lead	1/2	.37	5900	9410																	
	3/4	.55	4270	6810																	
	1	.75	3630	5800	9120																
	1-1/2	1.1	2620	4180	6580																
	2	1.5	2030	3250	5110	8060															
	3	2.2	1580	2530	3980	6270															
	5	3.7	920	1480	2330	3680	5750														
	7-1/2	5.5	660	1060	1680	2650	4150														
	10	7.5	490	780	1240	1950	3060	4770	5940												
	15	11	330	530	850	1340	2090	3260	4060												
	20	15	0	410	650	1030	1610	2520	3140	3860	4760	5830									
	25	18.5	0	0	520	830	1300	2030	2530	3110	3840	4710									
	30	22	0	0	430	680	1070	1670	2080	2560	3160	3880	4770	5780	7030	8000					
	40	30	0	0	0	500	790	1240	1540	1900	2330	2860	3510	4230	5140	5830					
	50	37	0	0	0	0	640	1000	1250	1540	1890	2310	2840	3420	4140	4700	5340	5990	6530	7580	
	60	45	0	0	0	0	0	850	1060	1300	1600	1960	2400	2890	3500	3970	4520	5070	5530	6410	
	75	55	0	0	0	0	0	690	860	1060	1310	1600	1970	2380	2890	3290	3750	5220	4610	5370	
	100	75	0	0	0	0	0	0	0	790	970	1190	1460	1770	2150	2440	2790	3140	3430	3990	
	125	90	0	0	0	0	0	0	0	0	770	950	1160	1400	1690	1920	2180	2440	2650	3070	
	150	110	0	0	0	0	0	0	0	0	0	800	990	1190	1440	1630	1860	2080	2270	2640	
175	130	0	0	0	0	0	0	0	0	0	0	870	1050	1270	1450	1650	1860	2030	2360		
200	150	0	0	0	0	0	0	0	0	0	0	0	920	1110	1260	1440	1620	1760	2050		

See Footnotes on page 148 for information on figures in bold.

Pipe Friction

1"

Schedule 40 pipe 1.049 in. i.d. / Type L Copper tube 1.025 in. i.d.					
GPM	Velocity Ft./Sec.	Friction Loss Ft. Hd./100' of pipe		Velocity Ft. /Sec.	Ft. Hd./ 100' Pipe Fric. Loss C=130
		Steel C=100	PVC C=140		
2.0	0.74	0.60	0.32	.078	0.41
3.0	1.11	1.26	0.68	1.17	0.87
4.0	1.49	2.14	1.15	1.56	1.48
5.0	1.86	3.24	1.75	1.95	2.23
6.0	2.23	4.54	2.45	2.34	3.13
8.0	2.97	7.73	4.16	3.11	5.35
10	3.71	11.7	6.31	3.89	8.08
12	4.46	16.4	8.85	4.67	11.3
14	5.20	21.8	11.8	5.45	15.0
16	5.94	27.9	15.1	6.22	19.2
18	6.68	34.7	18.7	7.00	23.9
20	7.43	42.1	22.8	7.78	29.0
25	9.29	63.6	34.6	9.74	43.9
30	11.1	89.2	48.1	11.7	61.4
40	14.9	152	82.0	15.5	105

1 1/4"

Schedule 40 pipe 1.380 in. i.d. / Type L Copper tube 1.265 in. i.d.					
GPM	Velocity Ft./Sec.	Friction Loss Ft. Hd./100' of pipe		Velocity Ft. /Sec.	Ft. Hd./ 100' Pipe Fric. Loss C=130
		Steel C=100	PVC C=140		
4.0	0.86	0.56	0.30	1.02	0.52
6.0	1.29	1.20	0.65	1.53	1.12
8.0	1.72	2.04	1.10	2.04	1.92
10	2.15	3.08	1.67	2.55	2.90
12	2.57	4.31	2.33	3.06	4.04
14	2.00	5.73	3.10	3.57	5.35
16	3.43	7.34	3.96	4.08	6.85
18	3.86	9.13	4.93	4.59	8.52
20	4.29	11.1	6.00	5.10	10.4
25	5.36	16.8	9.06	6.38	15.7
30	6.43	23.5	12.7	7.65	22.1
40	8.58	40.0	21.6	10.2	37.6
50	10.7	60.4	32.6	12.8	56.7
60	12.9	84.7	45.6	15.3	79.5
80	17.2	144	77.9	20.4	136

1 1/2"

Schedule 40 pipe 1.610 in. i.d. / Type L Copper tube 1.505 in. i.d.					
GPM	Velocity Ft./Sec.	Friction Loss Ft. Hd./100' of pipe		Velocity Ft. /Sec.	Ft. Hd./ 100' Pipe Fric. Loss C=130
		Steel C=100	PVC C=140		
6.0	0.95	0.57	0.31	1.08	0.49
8.0	1.26	0.96	0.52	1.44	.082
10	1.58	1.45	0.79	1.80	1.24
12	1.89	2.04	1.10	2.16	1.73
15	2.36	2.95	1.59	2.70	2.62
20	3.15	5.24	2.83	3.60	4.46
25	3.94	7.90	4.26	4.51	6.74
30	4.73	11.1	6.00	5.41	9.44
40	6.30	18.9	10.2	7.21	16.1
50	7.88	28.5	15.4	9.01	24.3
60	9.46	40.0	21.6	10.8	34.1
70	11.0	53.2	28.7	12.6	45.5
80	12.6	68.1	36.8	14.4	58.1
90	14.2	84.7	45.7	16.2	72.1
100	15.8	103	56.6	18.0	87.7

2"

Schedule 40 pipe 2.067 in. i.d. / Type L Copper tube 1.985 in. i.d.					
GPM	Velocity Ft./Sec.	Friction Loss Ft. Hd./100' of pipe		Velocity Ft. /Sec.	Ft. Hd./ 100' Pipe Fric. Loss C=130
		Steel C=100	PVC C=140		
10	0.96	0.43	0.23	1.07	0.35
15	1.44	0.92	0.50	1.60	.075
20	1.91	1.55	0.84	2.13	1.24
25	2.39	2.35	1.27	2.66	1.87
30	2.87	3.29	1.78	3.19	2.62
40	3.82	5.60	3.03	4.26	4.48
50	4.78	8.46	4.57	5.32	6.76
60	5.74	11.9	6.44	6.39	9.47
70	6.69	15.8	8.53	7.45	12.6
80	7.65	20.2	10.9	8.52	16.2
90	8.61	25.1	13.6	9.58	20.0
100	9.56	30.5	16.5	10.7	24.4
120	11.5	42.7	23.1	12.8	34.1
150	14.3	64.7	35.0	16.0	51.6
200	19.1	110	59.4	21.3	87.8

2 1/2"

Schedule 40 pipe 2.469 in. i.d. / Type L Copper tube 2.465 in. i.d.					
GPM	Velocity Ft./Sec.	Friction Loss Ft. Hd./100' of pipe		Velocity Ft. /Sec.	Ft. Hd./ 100' Pipe Fric. Loss C=130
		Steel C=100	PVC C=140		
20	1.21	0.66	0.35	1.34	0.40
30	2.01	1.39	0.75	2.02	0.85
40	2.68	2.36	1.27	2.69	1.46
50	3.35	3.56	1.92	3.36	2.20
60	4.02	4.99	2.69	4.03	3.08
70	4.69	6.64	3.58	4.70	4.11
80	5.36	8.50	4.59	5.37	5.25
90	6.03	10.6	5.72	6.04	6.52
100	6.70	12.8	6.90	6.71	7.94
110	7.37	15.3	8.22	7.38	9.44
130	8.71	20.9	11.3	8.73	12.9
150	10.0	27.3	14.7	10.1	16.8
200	13.4	46.3	25.0	13.4	28.6
250	16.8	81.7	44.1	16.8	43.4
300	20.1	98.1	52.9	20.1	61.1

3"

Schedule 40 pipe 3.000 in. i.d. / Type L Copper tube 2.945 in. i.d.					
GPM	Velocity Ft./Sec.	Friction Loss Ft. Hd./100' of pipe		Velocity Ft. /Sec.	Ft. Hd./ 100' Pipe Fric. Loss C=130
		Steel C=100	PVC C=140		
40	1.82	0.91	0.49	1.88	0.62
60	2.72	1.94	1.04	2.82	1.31
80	3.63	3.30	1.77	3.76	2.22
100	4.54	4.98	2.67	4.70	3.35
120	5.45	6.98	3.75	5.64	4.70
140	6.35	9.28	4.98	6.58	6.25
160	7.26	11.9	6.38	7.52	8.00
180	8.16	14.8	7.93	8.46	9.94
200	9.08	17.9	9.64	9.40	12.1
250	11.3	27.1	14.6	11.8	18.3
300	13.6	38.0	20.4	14.1	25.6
350	15.9	50.6	27.1	16.5	34.0
400	18.2	64.7	34.7	18.8	43.6
450	20.5	80.5	43.2	21.2	54.2
500	22.7	97.8	52.5	23.5	65.8

Note: Chart shows friction loss per 100' of pipe. To convert to friction loss per foot, move decimal point 2 places to the left.

Pipe Friction

4"

Schedule 40 pipe 4.026 in. i.d. / Type L Copper tube 3.905 in. i.d.					
GPM	Velocity Ft./Sec.	Friction Loss Ft. Hd./100' of pipe		Velocity Ft. /Sec.	Ft. Hd./ 100' Pipe Fric. Loss C=130
		Steel C=100	PVC C=140		
50	1.26	0.33	0.16	1.34	0.24
75	1.89	0.70	0.34	2.01	0.50
100	2.52	1.19	0.58	2.68	0.85
125	3.15	1.80	0.87	3.35	1.28
150	3.78	2.53	1.22	4.01	1.80
200	5.05	4.29	2.08	5.35	3.05
250	6.30	6.45	3.12	6.69	4.63
300	7.57	9.09	4.41	8.02	6.47
350	8.82	12.0	5.82	9.36	8.60
400	10.1	15.5	7.52	10.7	11.1
500	12.6	23.4	11.3	13.4	16.6
600	15.1	32.8	15.9	16.0	23.4
700	17.6	43.6	21.1	18.7	31.2
800	20.2	55.8	27.0	21.4	39.9
900	22.7	69.3	33.6	24.1	49.6

5"

Schedule 40 pipe 5.047 in. i.d. / Type L Copper tube 4.857 in. i.d.					
GPM	Velocity Ft./Sec.	Friction Loss Ft. Hd./100' of pipe		Velocity Ft. /Sec.	Ft. Hd./ 100' Pipe Fric. Loss C=130
		Steel C=100	PVC C=140		
75	1.20	0.24		1.29	0.17
100	1.60	0.40		1.72	0.30
125	2.00	0.67		2.15	0.45
150	2.40	0.94		2.58	0.63
175	2.80	1.25		3.01	0.83
200	3.20	1.43		3.44	1.07
250	4.01	2.15		4.30	1.62
300	4.81	3.03		5.15	2.27
400	6.41	5.15		6.87	3.87
500	8.02	7.79		8.59	5.84
600	9.62	10.9		10.3	8.20
700	11.2	14.5		12.0	10.9
800	12.8	18.6		13.7	13.9
1000	16.0	28.1		17.2	21.2
1200	19.2	39.3		20.6	29.5

6"

Schedule 40 pipe 6.065 in. i.d. / Type L Copper tube 5.845 in. i.d.					
GPM	Velocity Ft./Sec.	Friction Loss Ft. Hd./100' of pipe		Velocity Ft. /Sec.	Ft. Hd./ 100' Pipe Fric. Loss C=130
		Steel C=100	PVC C=140		
100	1.111	0.16	0.07	1.19	0.12
150	1.67	0.34	0.16	1.79	0.25
200	2.22	0.58	0.28	2.39	0.43
250	2.77	0.89	0.42	2.98	0.65
300	3.33	1.24	0.58	3.58	0.91
400	4.44	2.11	0.99	4.79	1.55
500	5.55	3.19	1.50	5.98	2.34
600	6.66	4.46	2.10	7.17	3.28
700	7.78	5.93	2.79	8.36	4.36
800	8.90	7.60	3.60	9.56	5.58
900	10.0	9.44	4.46	10.8	6.95
1000	11.1	11.5	5.44	12.0	8.45
1200	13.3	16.1	7.62	14.3	11.8
1400	15.6	21.4	10.1	16.7	15.7
1600	17.8	27.4	13.0	19.1	20.2

Note: Chart shows friction loss per 100' of pipe. To convert to friction loss per foot, move decimal point 2 places to the left.

Fittings - Friction losses expressed as equivalent lengths of pipe (feet).

Type of Fitting	Material	1"	1-1/4"	1-1/2"	2"	2-1/2"	3"	3-1/2"	4"	5"	6"	8"	10"	12"
90° Std. Elbow/ run of Tee reduced to half six	Steel	3	4	4	5	6	8	-	10	13	15	20	25	30
	Plastic	6	7	8	9	10	14	-	17	-	25	-	-	-
	Copper	3	4	4	5	6	8	9	10	13	15	20	-	-
45° Elbow	Steel	1.3	1.7	2.1	2.6	3	3.6	-	4.7	5.9	7.1	9.4	12	14
	Plastic	2.5	3	4	5	6	7	-	9	-	13	13	-	-
	Copper	1.3	1.7	2.1	2.6	3	3.6	4.1	4.7	5.9	7.1	9.4	-	-

Lost or Damaged Goods**IMPORTANT**

Every carrier used by Franklin Pump Systems, Inc. is required to verify and sign for the condition of and the number of pieces that are released to them for delivery. Our control and responsibility for any shipment ceases when the carrier signs the Bill of Lading. When you sign the Bill of Lading, you legally assume responsibility of the shipment being delivered. Please, thoroughly inspect each shipment immediately upon arrival.

If cartons, packages, or crates are received in short or damaged condition, it is important that you notify the driver and insist on a notation of the loss or damage across the face of the freight bill. Failure to do this could negate any opportunity you have to file a claim. Claims for short or damaged material must be filed in writing with the carrier immediately after delivery.

If concealed loss or damage is discovered, notify the carrier at once and request an inspection. It is also important that you do not discard the shipping carton or container. A concealed damage report should be made within ten (10) days of delivery of the shipment. The carrier's agent will make an inspection and usually will grant a concealed damage notation. If you give the carrier a clear receipt for the goods that have been damaged in transit, you do so at your own risk and expense.

We are willing to assist you to collect claims for loss or damage, but we are not responsible for collection of claims or replacement of material (shortage or damage) if not noted on the Bill of Lading at the time of delivery.

Due to frequent damage of heavy UPS shipments, Franklin Pump Systems, Inc. does not ship orders over 75 lbs. by UPS unless customer agrees to take full responsibility.

For information or assistance contact:



Franklin Pump Systems

Customer Service Department

ph: 501.455.1234

www.franklin-electric.com

U.S. LIMITED WARRANTY*

Franklin Pump Systems, Inc.

Franklin Pump Systems, Inc. warrants its new products to be free of defects in material and workmanship for a period of 1 year from date of installation or 2 years from date of manufacture, whichever comes first, WHEN installed in a domestic water systems application and pumping potable water only. Warranty does not cover applications pumping saltwater or other corrosive liquids. Consult and adhere to local codes for all applications.

Franklin Pump System's warranty obligation with regard to equipment not of its own manufacture is limited to the warranty actually extended to Franklin Pump System by its suppliers.

This warranty extends only to the original retail purchaser and only during the time in which the original retail purchaser occupies the site where the product was originally installed.

Requests for service under this warranty shall be made by contacting the installing Franklin Pump System dealer (point of purchase) as soon as possible after the discovery of any alleged defect. Franklin Pump System will subsequently take corrective action as promptly as reasonably possible.

Franklin Pump System at its discretion may replace or repair any product that fails under this warranty after inspection by an authorized company representative or after Franklin Pump System has received the product at our factory. Replacement or repair cannot be made until after the product is inspected. All charges or expenses for freight to and from the factory, removal and reinstallation of the product, or installation of a replacement product are the responsibility of the purchaser.

THIS WARRANTY SUPERSEDES ANY WARRANTY NOT DATED OR BEARING AN EARLIER DATE. ANY IMPLIED WARRANTIES WHICH THE PURCHASER MAY HAVE, INCLUDING MERCHANT ABILITY AND FITNESS FOR A PARTICULAR PURPOSE, SHALL NOT EXTEND BEYOND THE APPLICABLE WARRANTY PERIOD. Some states do not allow limitations on how long an implied warranty lasts, so the above limitation may not apply to you. IN NO EVENT SHALL FRANKLIN PUMP SYSTEM BE LIABLE FOR INCIDENTAL OR CONSEQUENTIAL DAMAGES. Some states do not allow the exclusion or limitation of incidental or consequential damages, so the above may not apply to you.

This warranty does not apply to any product which has been subjected to negligence, alteration, accident, abuse, misuse, improper installation, vandalism, civil disturbances, or acts of God. The only warranties authorized by Franklin Pump System are those set forth herein. Franklin Pump System does not authorize other persons to extend any warranties with respect to its products, nor will Franklin Pump System assume liability for any unauthorized warranties made in connection with the sale of its products.

THIS WARRANTY GIVES YOU SPECIFIC LEGAL RIGHTS, AND YOU MAY ALSO HAVE OTHER RIGHTS WHICH MAY VARY FROM STATE TO STATE.

* Contact Franklin Pump Systems, Inc. Export Division for International Warranty.



Franklin Pump Systems

12401 Interstate 30 • P.O. Box 8903
Little Rock, AR 72219



Franklin Pump Systems

12401 Interstate 30
Little Rock, AR 72219-8903
PH: 501.455.1234 FAX: 800.662.6044
www.franklinpumps.com